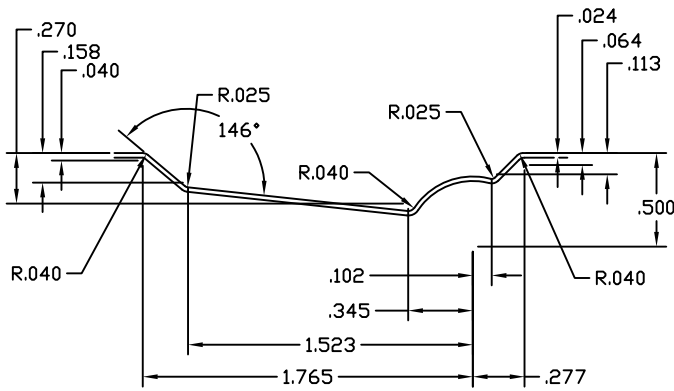


NOTE:
 1/16" TOLERANCE
 ALLOWED FROM CENTERLINE
 FOR EMBOSMENT LOCATIONS
 TOP TO BOTTOM
 AND SIDE TO SIDE.

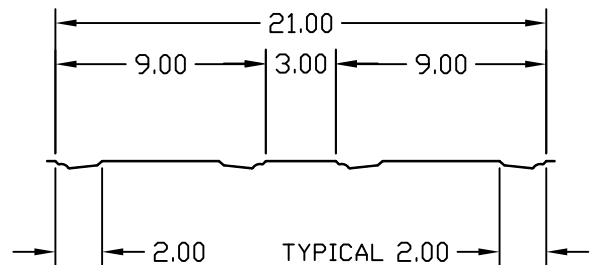
NOTE:
 THIS LAYOUT BASED ON:
 2'6" X 6'8" EMBOSSED DOOR
 FOR 7'0 DOORS
 EMBOSMENT LOCATION
 DIFFERENCE IS SPLIT BETWEEN
 TOP AND BOTTOM RAILS

EMBOSMENT PROFILE
SECTION A-A
 SCALE 16X



EMBOSMENT
SECTION B-B

SCALE 2X
 ALL DIMENSIONS (T.S.C.) TO SHARP CORNER



NARROW 4 PANEL
 EMBOSMENT OPTIONS
 FOR STEEL DOORS

DWG#	II-10
DATE	1-18-05
NAME	MJP
SECTION	II
PAGE	10