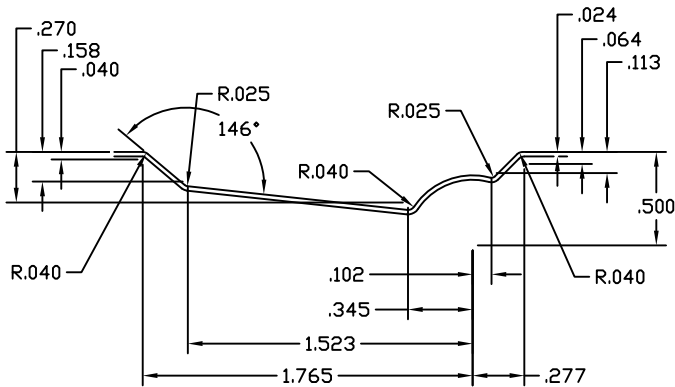


NOTE:  
 1/16" TOLERANCE  
 ALLOWED FROM CENTERLINE  
 FOR EMBOSSMENT LOCATIONS  
 TOP TO BOTTOM  
 AND SIDE TO SIDE.

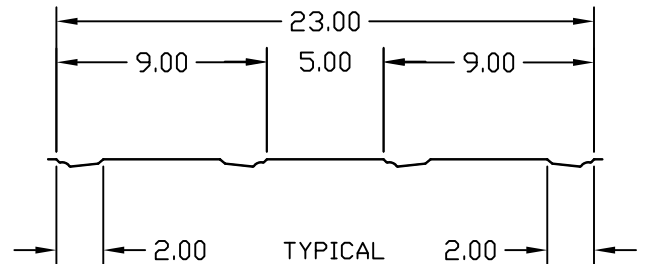
NOTE:  
 THIS LAYOUT BASED ON:  
 3'0" X 6'8" EMBOSSED DOOR  
 FOR 7'0 DOORS  
 EMBOSSMENT LOCATION  
 DIFFERENCE IS SPLIT BETWEEN  
 TOP AND BOTTOM RAILS

EMBOSSEMENT PROFILE  
SECTION A-A  
 SCALE 16X



EMBOSSEMENT  
SECTION B-B

SCALE 2X  
 ALL DIMENSIONS (T.S.C.) TO SHARP CORNER



TRUE 4 PANEL  
 EMBOSSEMENT OPTION  
 FOR STEEL DOORS

DWG#	II-11
DATE	2-15-5
NAME	MJP
SECTION	II
PAGE	11