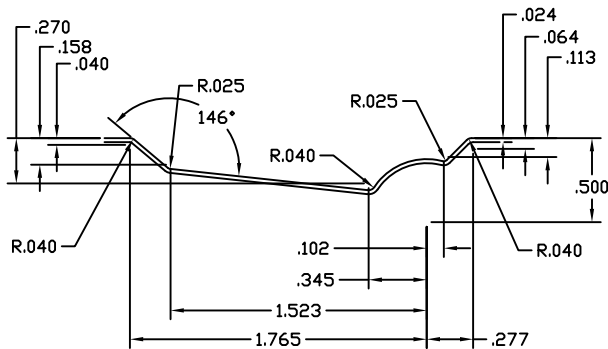


NOTE:  
 1/16" TOLERANCE  
 ALLOWED FROM CENTERLINE  
 FOR EMBOSMENT LOCATIONS  
 TOP TO BOTTOM  
 AND SIDE TO SIDE.

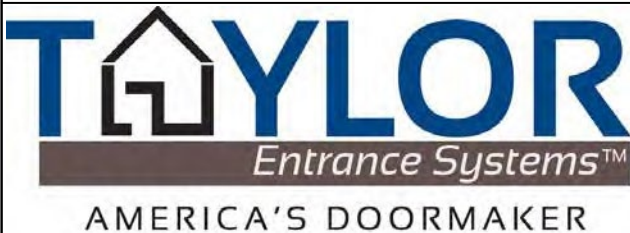
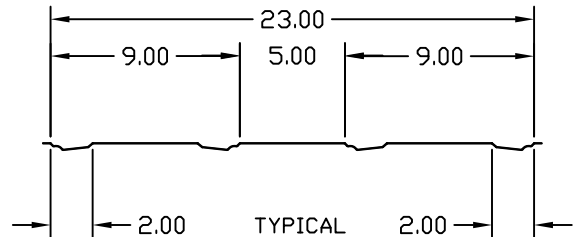
EMBOSMENT PROFILE  
SECTION A-A

SCALE 16X



EMBOSMENT  
SECTION B-B

SCALE 2X  
 ALL DIMENSIONS (T.S.C.) TO SHARP CORNER



8'0" 6 PANEL EMBOSMENT  
 FOR STEEL EDGE DOORS

DWG#	II-19
DATE	1-18-05
NAME	MJP
SECTION	II
PAGE	19