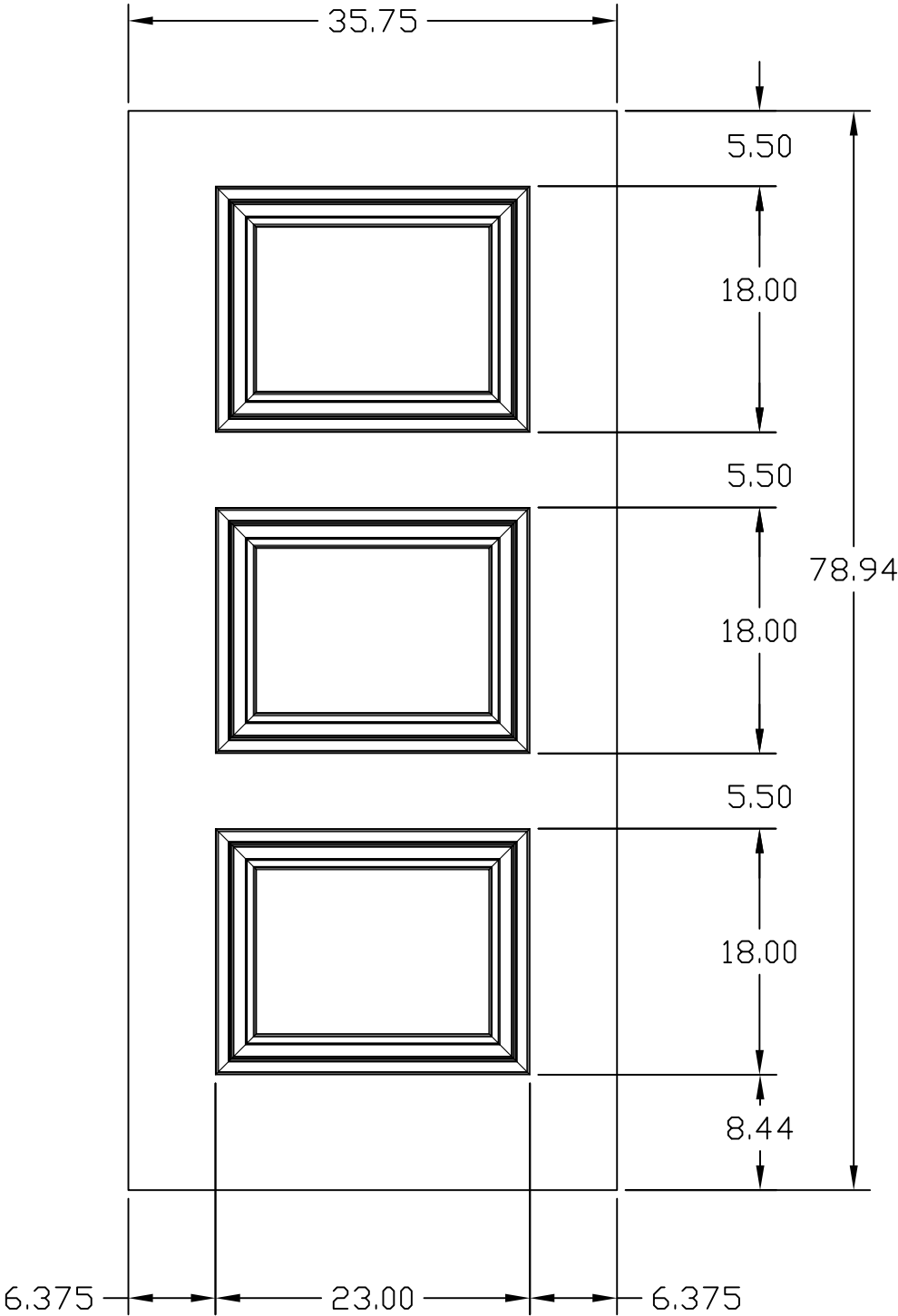


NOTE:  
 1/16" TOLERANCE  
 ALLOWED FROM CENTERLINE  
 FOR EMBOSSEMENT LOCATIONS  
 TOP TO BOTTOM  
 AND SIDE TO SIDE.

NOTE:  
 THIS LAYOUT BASED ON:  
 3'0" X 6'8" EMBOSSED DOOR



3 PANEL EQUAL  
 EMBOSSEMENT OPTION  
 FOR STEEL DOORS (NT)

DWG#	II-20L
DATE	5-31-16
NAME	KRB
SECTION	II
PAGE	20E