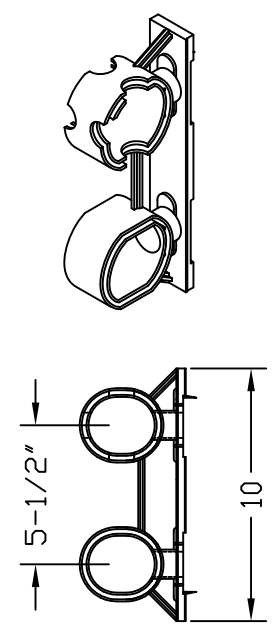
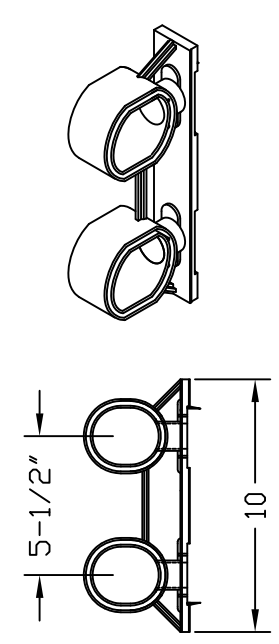


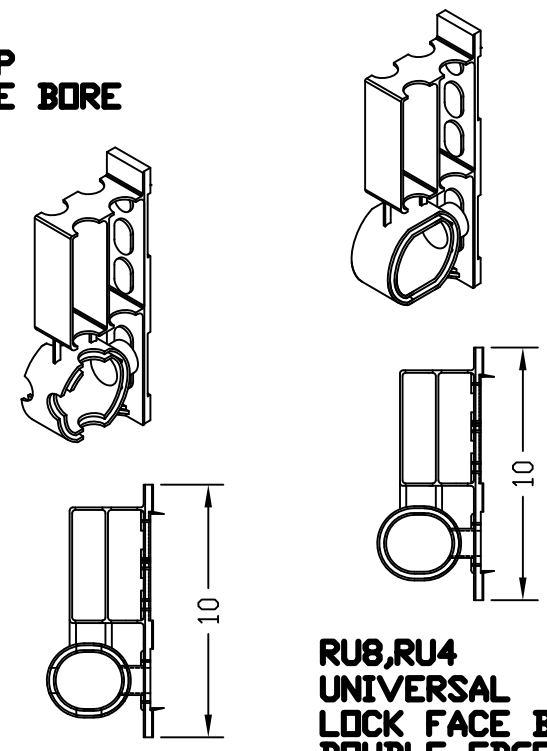
**R50**  
**NO LOCK FACE BORE**  
**DOUBLE EDGE PREP**



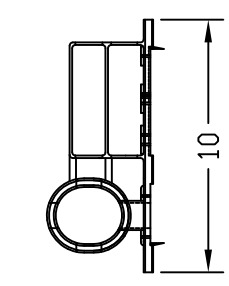
**R58,R54**  
**LOCK FACE BORE**  
**DOUBLE EDGE PREP**  
**NO DEADBOLT FACE BORE**



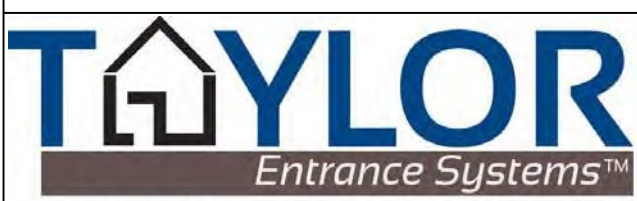
**R55,R56**  
**LOCK & DEADBOLT FACE BORE**  
**DOUBLE EDGE PREP**



**R08,R04**  
**UNIVERSAL**  
**LOCK FACE BORE**  
**DOUBLE EDGE PREP**  
**NO DEADBOLT FACE BORE**



**R00**  
**UNIVERSAL**  
**NO FACE BORE**  
**DOUBLE EDGE PREP**



AMERICA'S DOORMAKER

COMPOSITE LOCK BLOCKS  
 FOR STEEL DOORS

DWG#	II-27
DATE	1-19-05
NAME	MJP
SECTION	II
PAGE	27