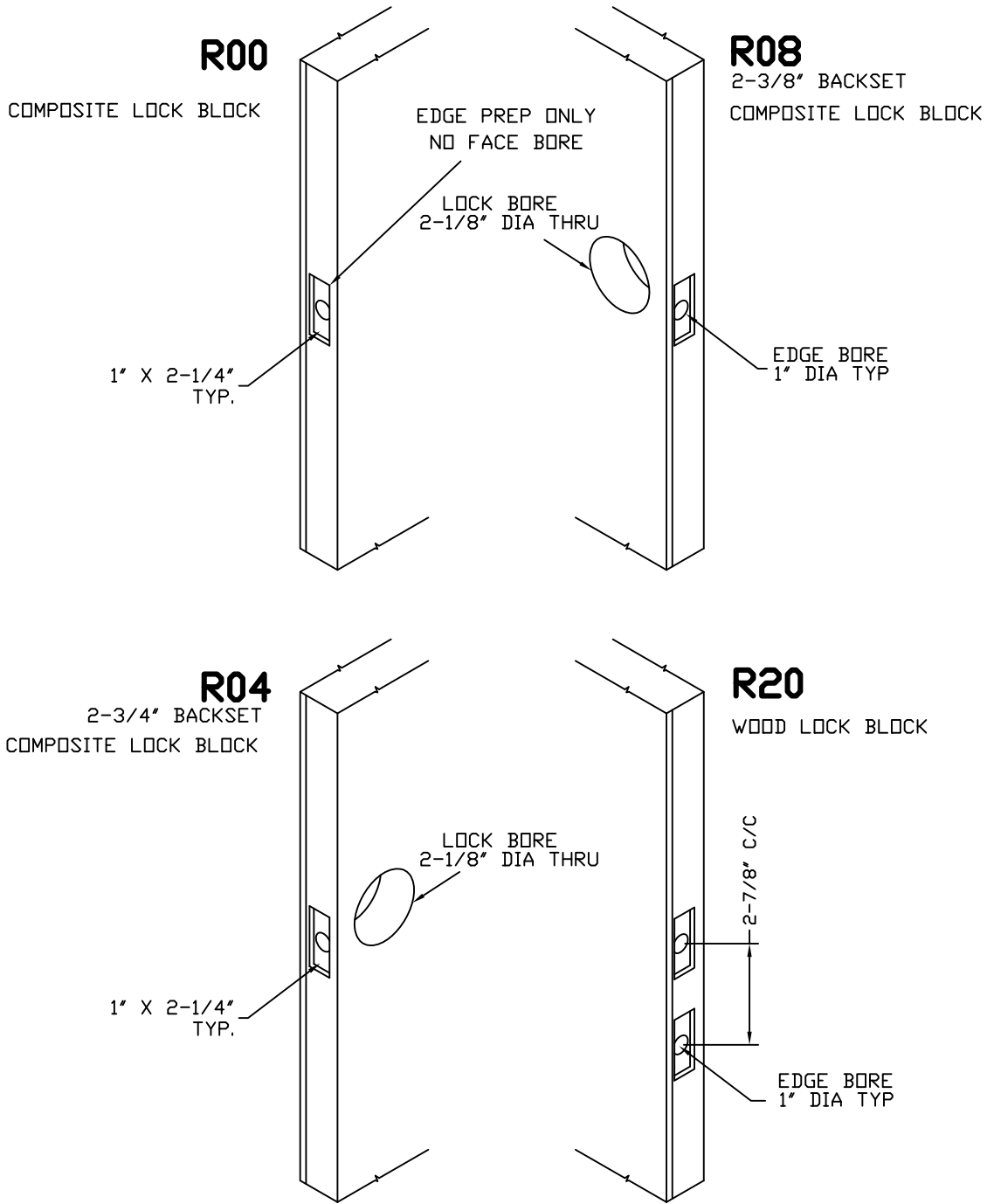


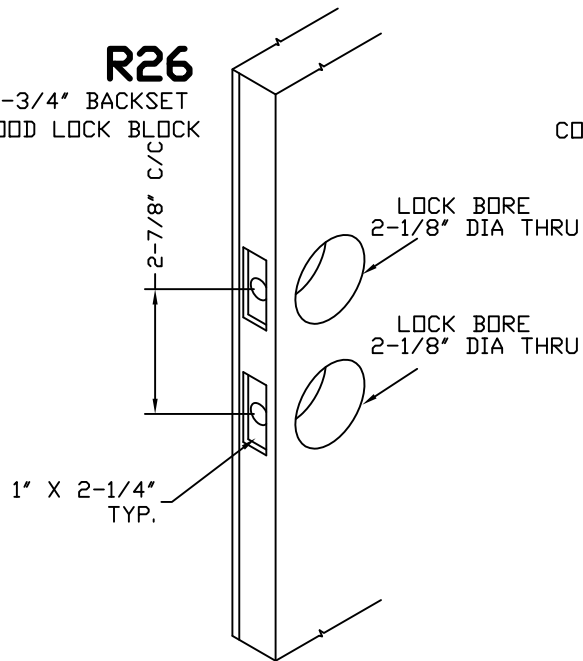
LOCK PREPS FOR RESIDENTIAL

Edge Prep Description (No. of Edge Preps x 1" Width x Lock Ht.)	Lock Face Bore	Deadbolt Face Bore	Backset	Center to Center of Preps	Prep #	Lock Reinforcement	Lock Block: Composite (C) or Wood (W)	DWG Pg #
1 - 1" x 2-1/4"					R00	45100010	C-SNG	II-29
1 - 1" x 2-1/4"	2-1/8		2-3/8		R08	45100016	C-SNG	II-29
1 - 1" x 2-1/4"	2-1/8		2-3/4		R04	45100018	C-SNG	II-29
2 - 1" x 2-1/4"				2-7/8	R20		W	II-29
2 - 1" x 2-1/4"	2-1/8	2-1/8	2-3/4	2-7/8	R26	45000022	W	II-30
2 - 1" x 2-1/4"				4	R40	45000010	C-SNG	II-30
2 - 1" x 2-1/4"	2-1/8		2-3/4	4	R44	44000102	C-SNG	II-30
2 - 1" x 2-1/4"	2-1/8	2-1/8	2-3/4	4	R46	45000029	C-SNG	II-31
2 - 1" x 2-1/4"				5-1/2	R50	44000100	C	II-31
2 - 1" x 2-1/4"	2 1/8		2 3/8	5-1/2	R58	44000101	C	II-31
2 - 1" x 2-1/4"	2 1/8		2 3/4	5-1/2	R54	44000101	C	II-31
2 - 1" x 2-1/4"	2-1/8	2-1/8	2-3/8	5-1/2	R55	44000102	C	II-32
2 - 1" x 2-1/4"	2-1/8	2-1/8	2-3/4	5-1/2	R56	44000102	C	II-32
1 - 1" x 2-1/4" & 1 - 1" X 4-1/8"				3-5/8, 4, 5-1/2	RU0	44000098	C	II-32
1 - 1" x 2-1/4" & 1 - 1" X 4-1/8"	2-1/8		2-3/8	3-5/8, 4, 5-1/2	RU8	44000099	C	II-33
1 - 1" x 2-1/4" & 1 - 1" X 4-1/8"	2-1/8		2-3/4	3-5/8, 4, 5-1/2	RU4	44000099	C	II-33

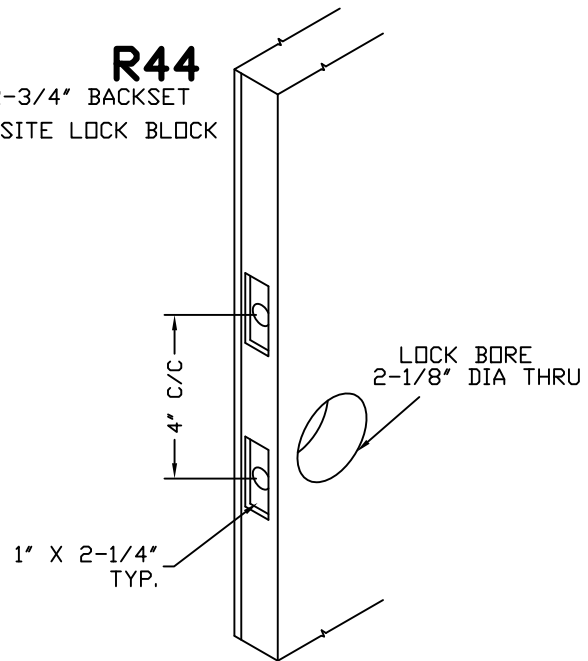


DWG#	II-29
DATE	10-30-06
NAME	MJP
SECTION	II
PAGE	29

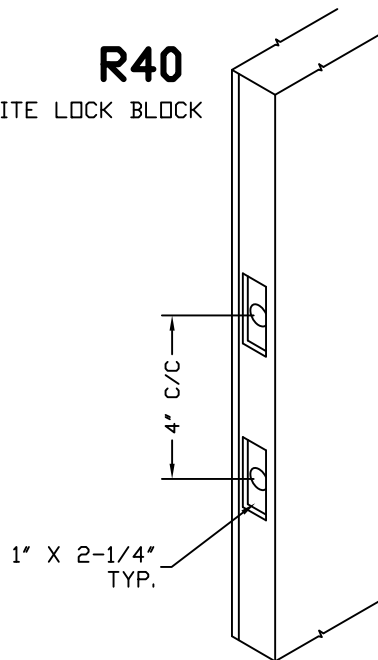
R26
2-3/4" BACKSET
WOOD LOCK BLOCK

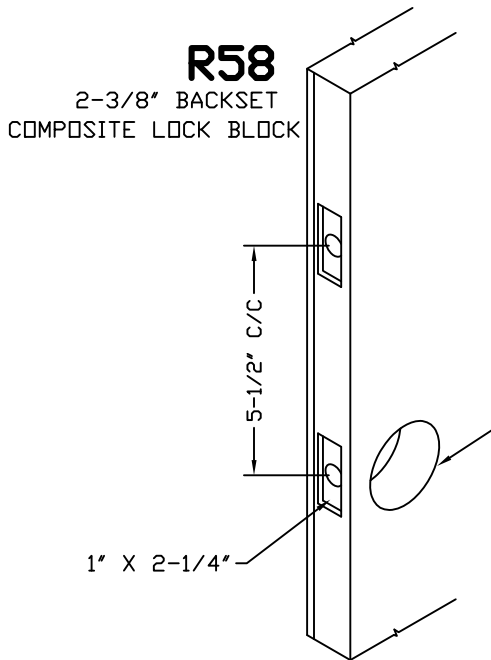
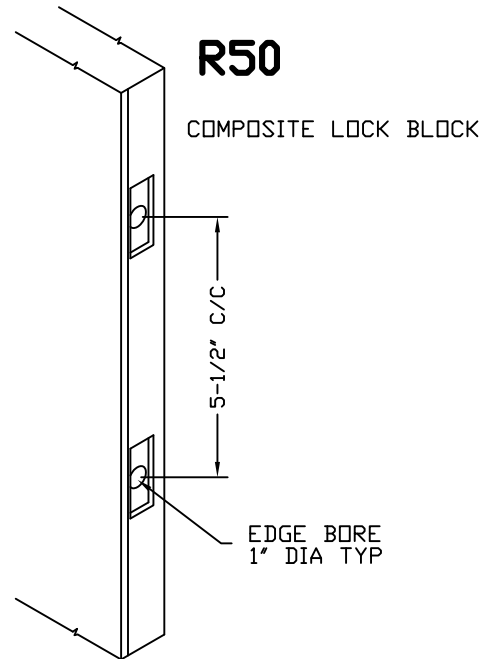
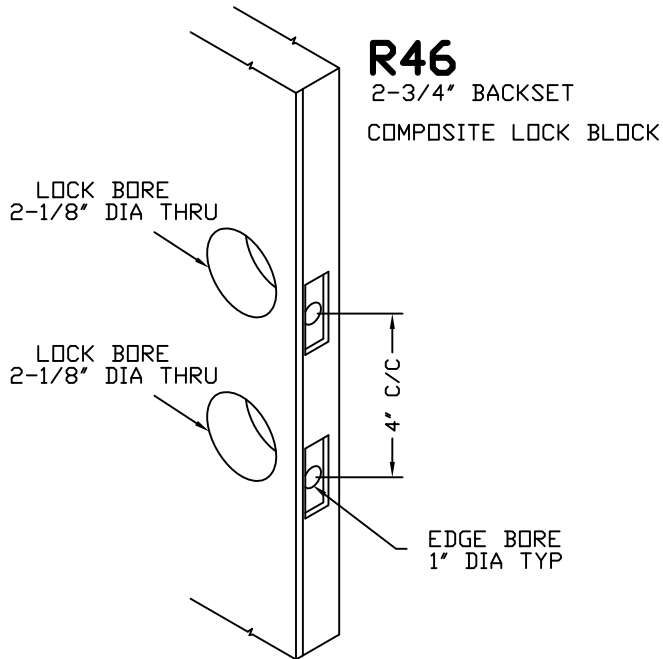


R44
2-3/4" BACKSET
COMPOSITE LOCK BLOCK

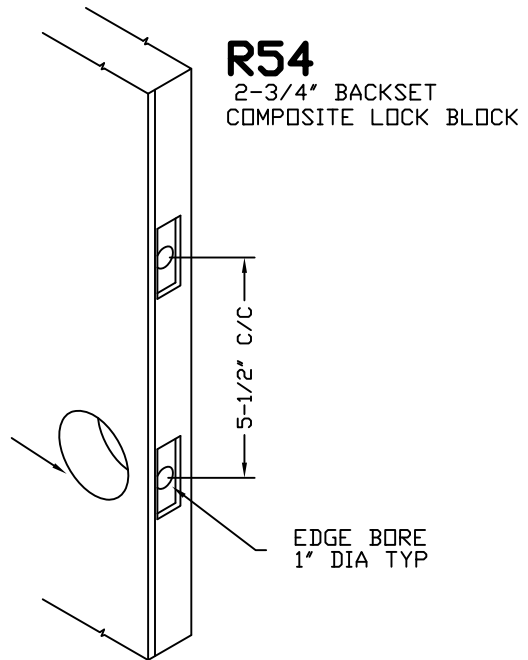


R40
COMPOSITE LOCK BLOCK



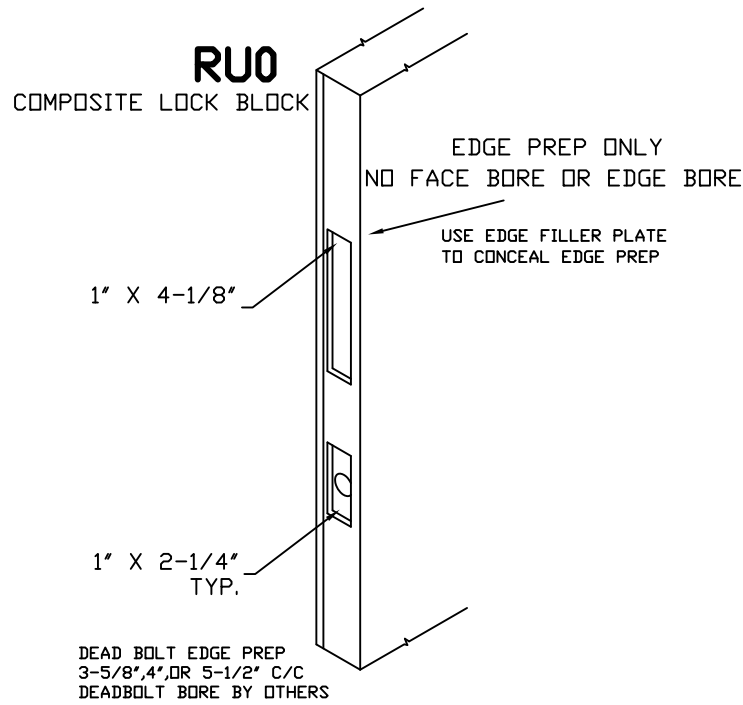
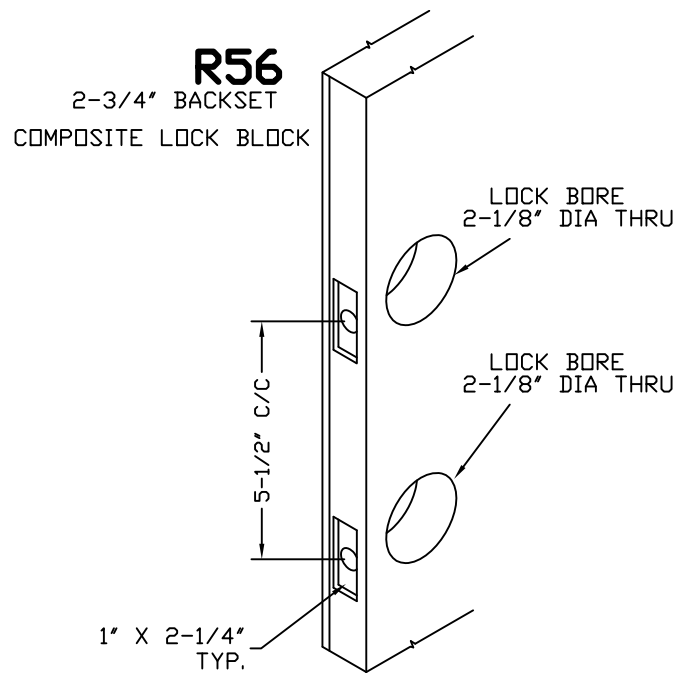
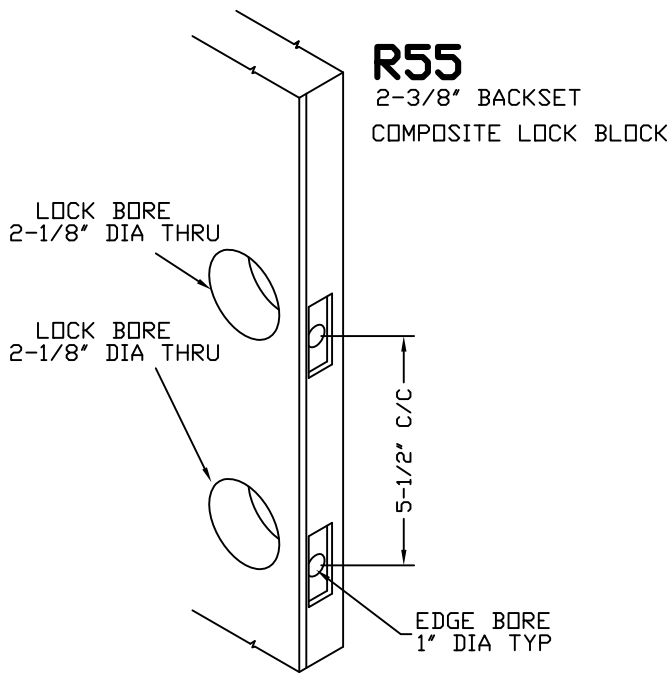


LOCK BORE
2-1/8" DIA THRU



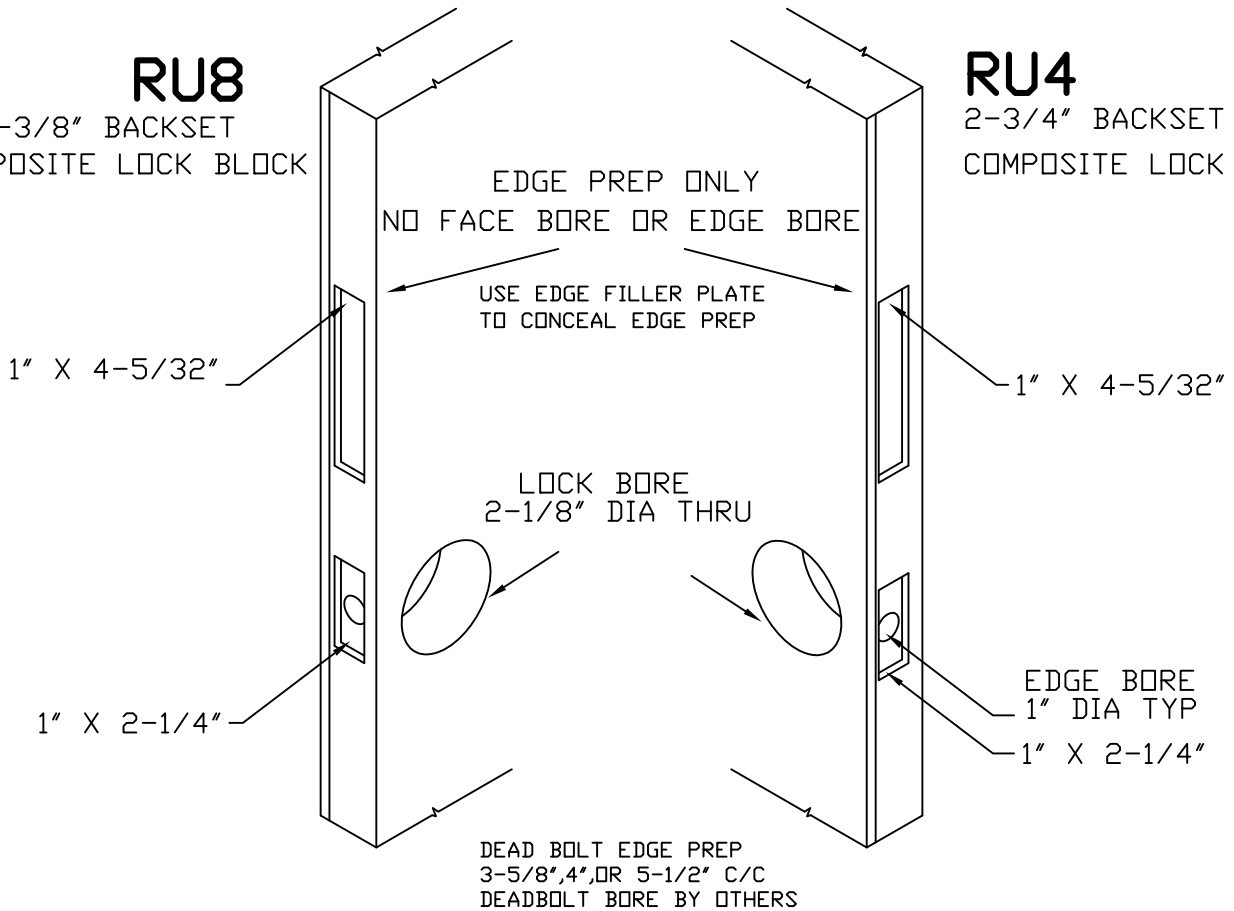
RESIDENTIAL EDGE PREP
FOR STEEL DOORS

DWG#	II-31
DATE	10-30-06
NAME	MJP
SECTION	II
PAGE	31



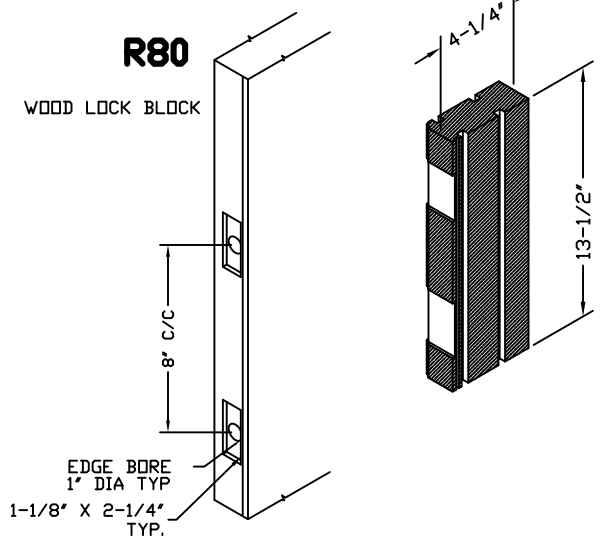
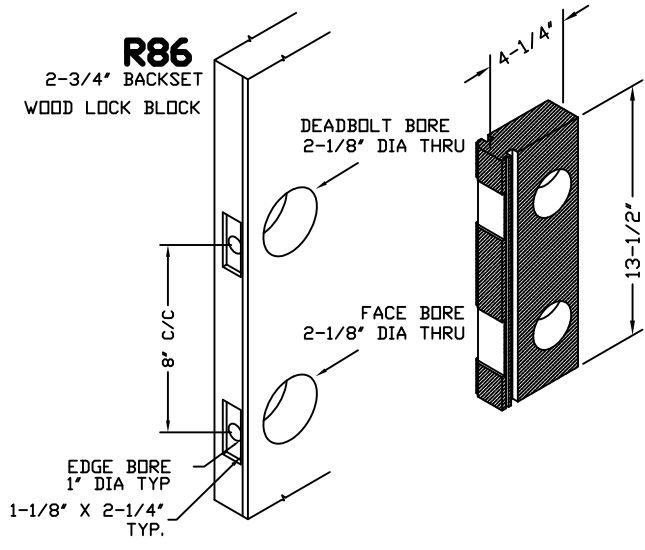
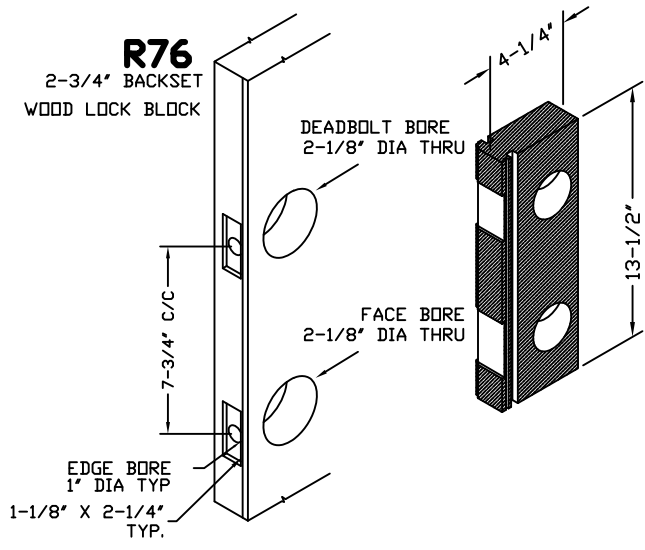
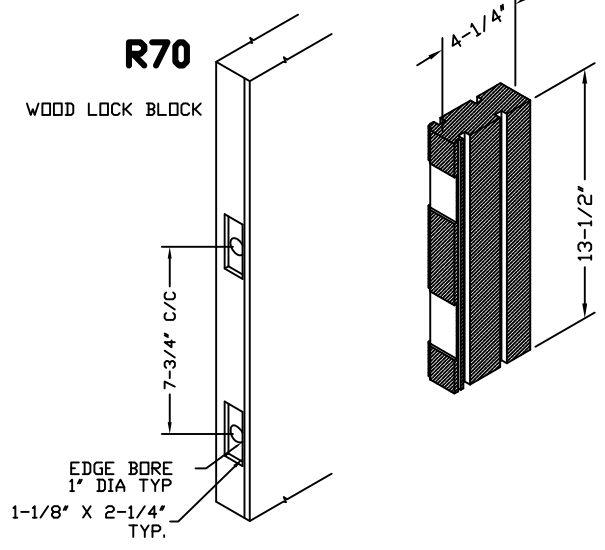
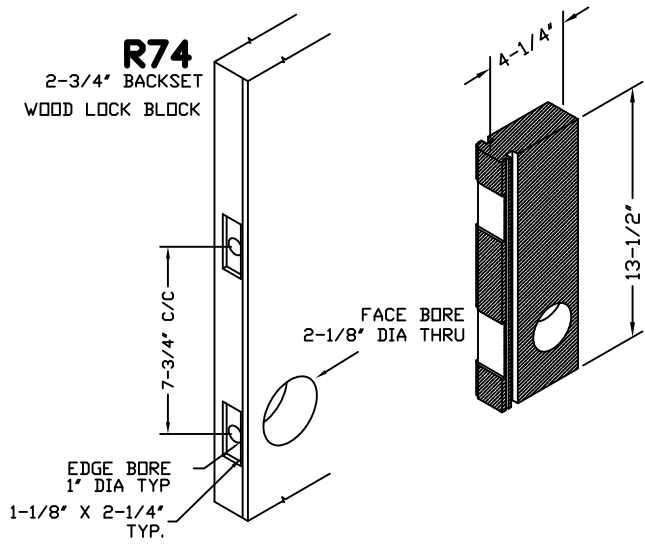
RU8
 2-3/8" BACKSET
 COMPOSITE LOCK BLOCK

RU4
 2-3/4" BACKSET
 COMPOSITE LOCK BLOCK



RESIDENTIAL EDGE PREP
 FOR STEEL DOORS

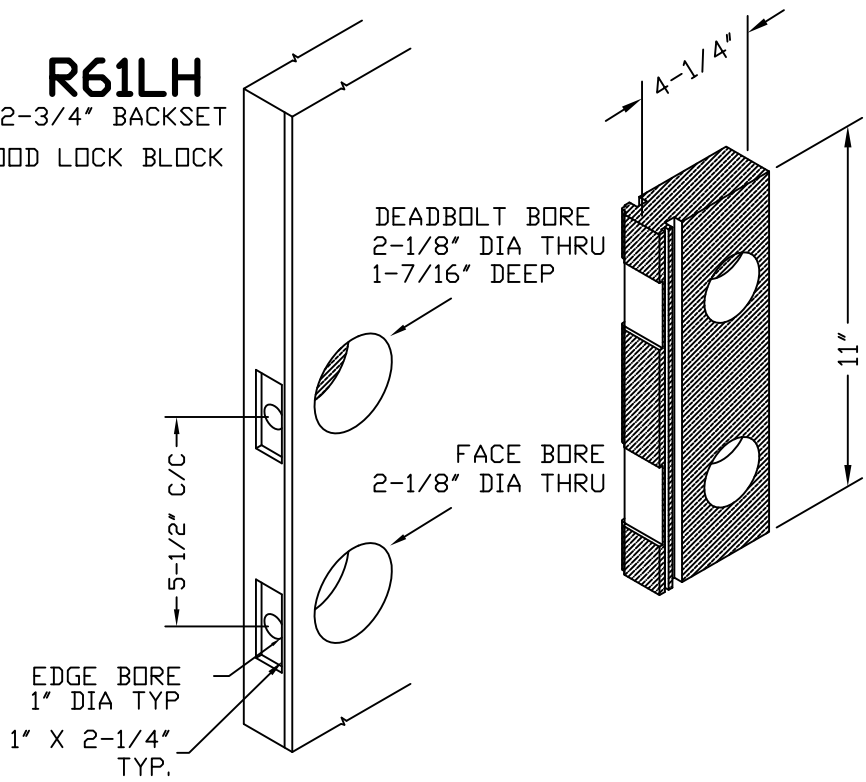
DWG#	II-33
DATE	1-19-05
NAME	MJP
SECTION	II
PAGE	33



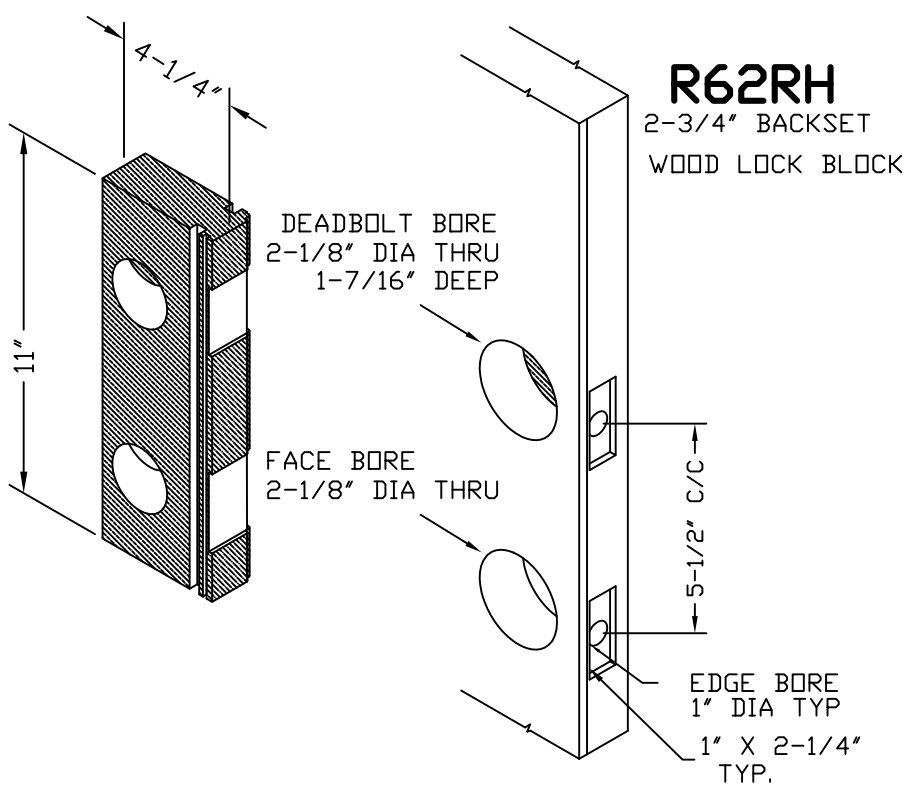
RESIDENTIAL LOCK PREPS
FOR STEEL DOORS

DWG#	II-33A
DATE	6-26-18
NAME	MJP
SECTION	II
PAGE	33A

R61LH
2-3/4" BACKSET
WOOD LOCK BLOCK



R62RH
2-3/4" BACKSET
WOOD LOCK BLOCK



RESIDENTIAL LOCK PREPS
FOR STEEL DOORS

DWG#	II-33B
DATE	6-20-06
NAME	MJP
SECTION	II
PAGE	33B