

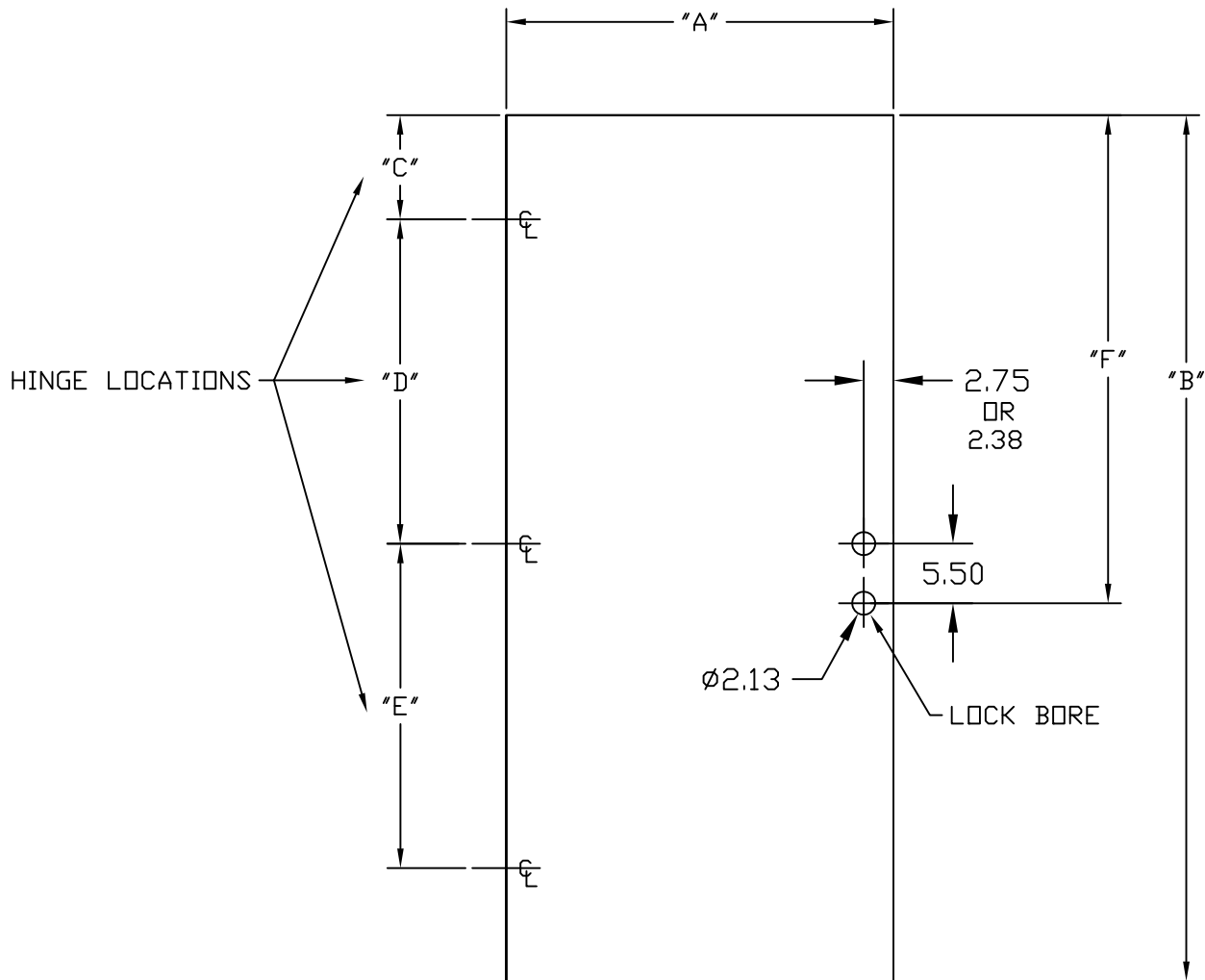
CRITICAL DIMENSIONS

+0.03 -0.03 (+1/32 -1/32)

DOOR WIDTH	A
2'5"	28.781
2'7"	30.781
2'9"	32.781
2'11"	34.781

DOOR HEIGHT	B	C	D	E	F
6'5"	76.00	8.16	29.94	29.94	44.19
6'7"	78.00	9.63	29.94	29.94	44.19
6'9"	80.00	9.63	29.94	29.94	46.19
6'11"	82.00	11.63	29.94	29.94	46.19

NOTE: DOOR TOLERANCES
 WIDTH=__.75" +/--.031(<_3/4" +/- 1/32)
 HEIGHT=78.937" +/--.062(<78 15/16" +/--1/16")



TAYLOR ENTRANCE SYSTEMS
 RESIDENTIAL ENTRY DOOR
 REMODEL
 STANDARD DIMENSIONS

DWG#	II-3
DATE	9-20-05
NAME	MJP
SECTION	II
PAGE	3