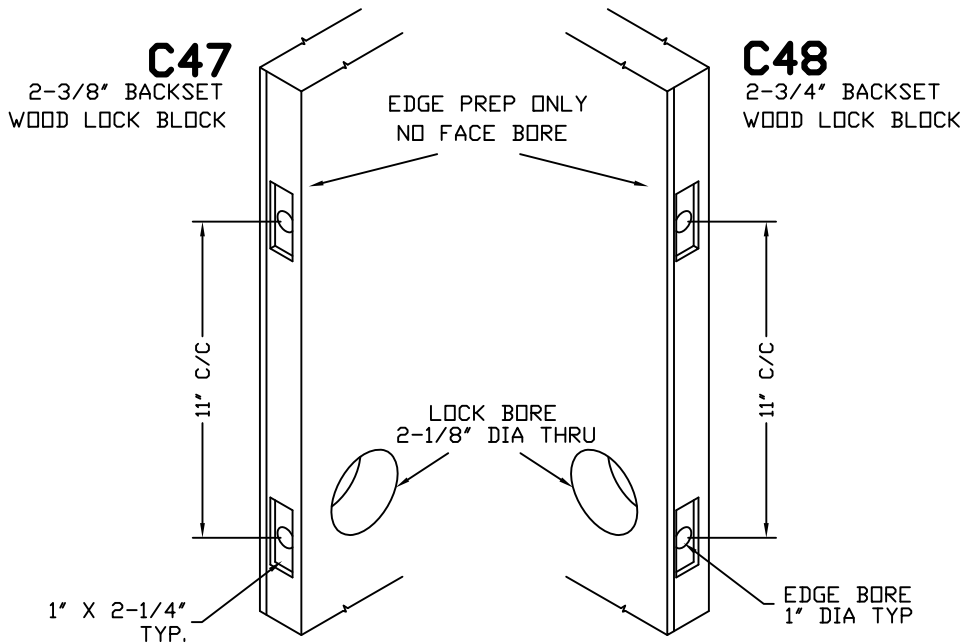
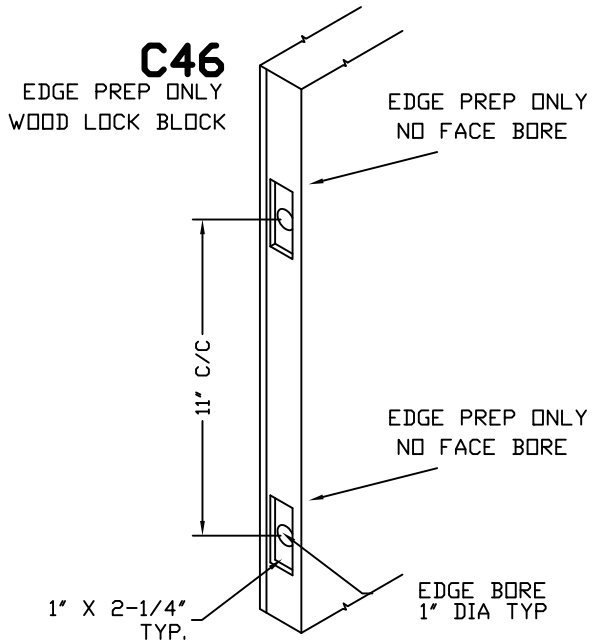


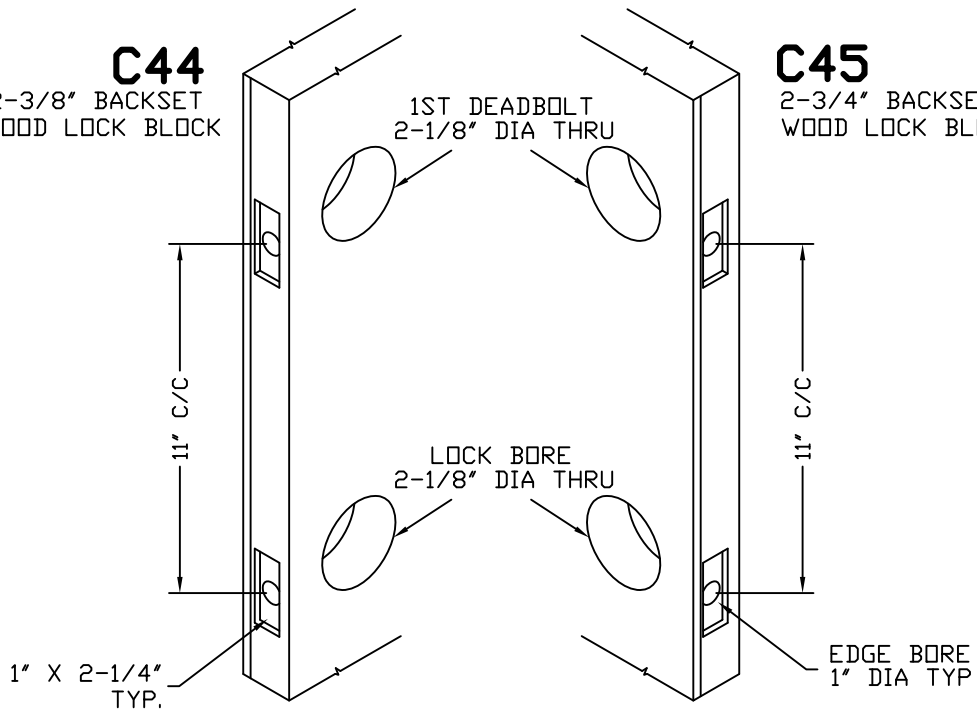
HURRICANE PREP 11" CENTER to CENTER PREPS

Edge Prep Description (No. Edge Preps x 1" Width x Lock Prep Ht.)	Lock Face Bore	Deadbolt Face Bore	Backset	Center to Center of Preps	Prep #	Lock Reinforcement	Lock Block: Composite (C) or Wood (W)	DWG Pg #
2 - 1" x 2-1/4"				11"	C46	45100067	W	II-41
2 - 1" x 2-1/4"	2-1/8		2-3/8	11"	C47	45100068	W	II-41
2 - 1" x 2-1/4"	2-1/8		2-3/4	11"	C48	45100069	W	II-41
2 - 1" x 2-1/4"	2-1/8	2-1/8	2-3/8	11"	C44	45100065	W	II-42
2 - 1" x 2-1/4"	2-1/8	2-1/8	2-3/4	11"	C45	45100066	W	II-42



C44
2-3/8" BACKSET
WOOD LOCK BLOCK

C45
2-3/4" BACKSET
WOOD LOCK BLOCK

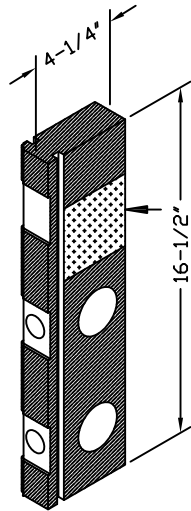
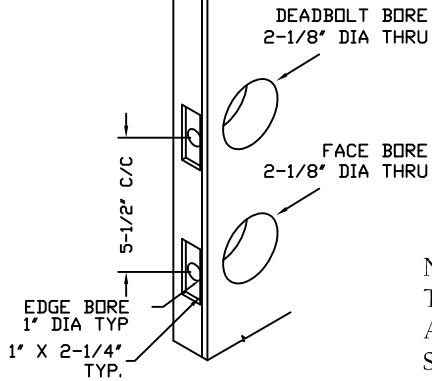


AMERICA'S DOORMAKER

HURRICANE EDGE PREP
FOR STEEL DOORS

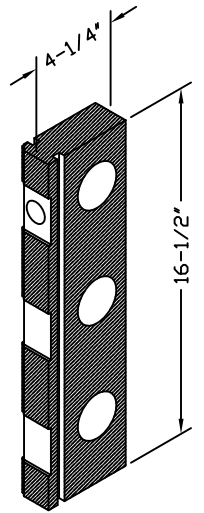
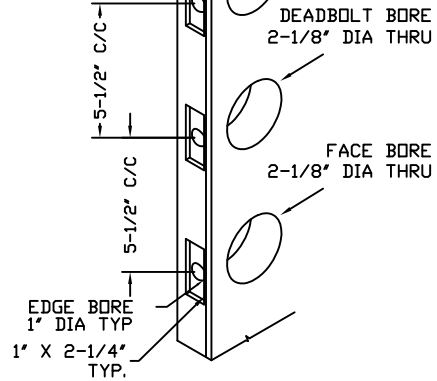
DWG#	II-42
DATE	1-20-05
NAME	MJP
SECTION	II
PAGE	42

H56
2-3/4" BACKSET
WOOD LOCK BLOCK
RESIDENTIAL

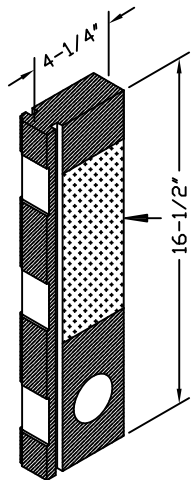
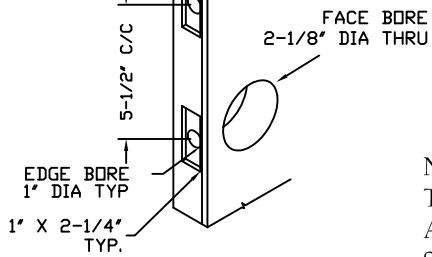


NOTE: TWO SIDED
TAPE MUST BE
APPLIED TO BOTH
SIDES OF BLOCK

C57
2-3/4" BACKSET
WOOD LOCK BLOCK
COMMERCIAL

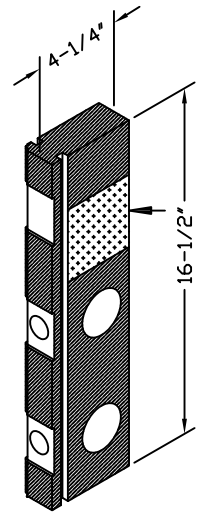
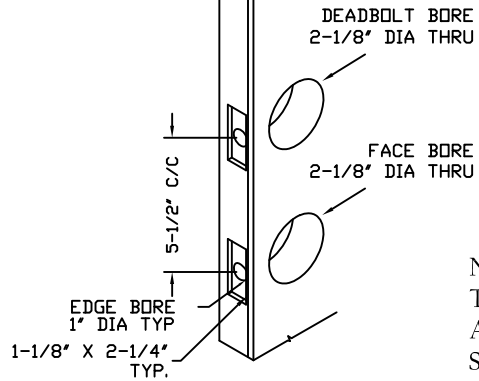


H54
2-3/4" BACKSET
WOOD LOCK BLOCK
RESIDENTIAL



NOTE: TWO SIDED
TAPE MUST BE
APPLIED TO BOTH
SIDES OF BLOCK

HC05
2-3/4" BACKSET
WOOD LOCK BLOCK
COMMERCIAL



NOTE: TWO SIDED
TAPE MUST BE
APPLIED TO BOTH
SIDES OF BLOCK



HURRICANE LOCK PREPS
FOR STEEL DOORS

DWG#	II-42A
DATE	6-20-06
NAME	MJP
SECTION	II
PAGE	42A