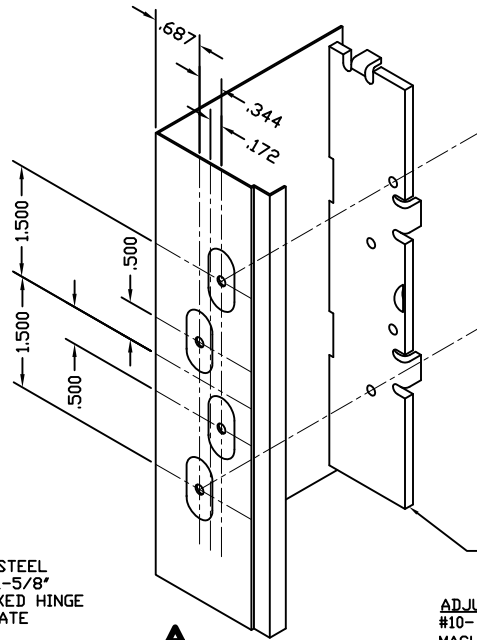


FIXED HINGE SCREW
 #10 X 3/4" TYPE 17
 PHILLIPS FLATHEAD
 OR
 #10- 24 X 5/8"
 MACHINE SCREW

F
 TAYLOR 4"x4" FIXED
 HINGE PREP

20 GAUGE STEEL
 6-1/8" X 1-5/8"
 TAYLOR FIXED HINGE
 BACKER PLATE

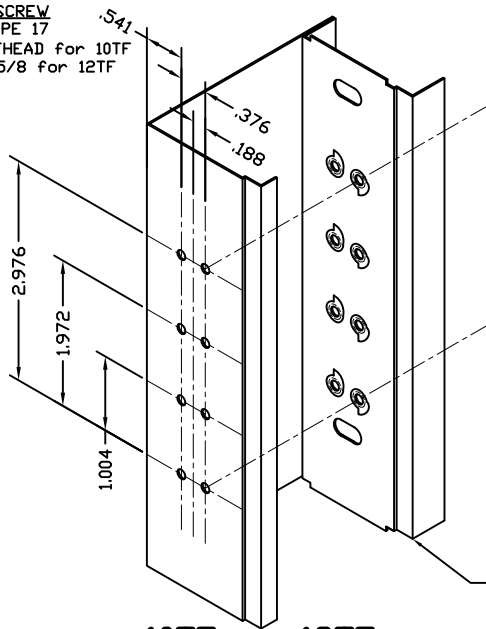


5-11/16" X 1-3/16"
 TAYLOR ADJUSTABLE HINGE
 BACKER PLATE

ADJUSTABLE HINGE SCREW
 #10- 24 X 5/8"
 MACHINE SCREW

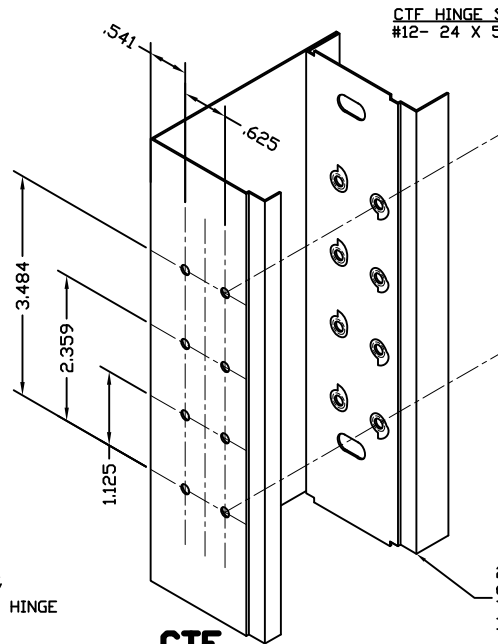
A
 TAYLOR 4"x4" ADJUSTABLE
 HINGE PREP

FIXED HINGE SCREW
 #10 X 3/4" TYPE 17
 PHILLIPS FLATHEAD for 10TF
 or #12-24 x 5/8 for 12TF



10TF or 12TF
 TEMPLATE 4"x4" FIXED
 HINGE PREP

20 GAUGE STEEL
 6-1/8" X 1-5/8"
 TEMPLATE FIXED HINGE
 BACKER PLATE



CTF
 4-1/2" X 4-1/2"
 COMMERCIAL TEMPLATE FIXED
 HINGE PREP

20 GAUGE STEEL
 6-1/8" X 1-5/8"
 TEMPLATE FIXED HINGE
 BACKER PLATE

CTF HINGE SCREW
 #12- 24 X 5/8"



HINGE PREPS FOR STEEL EDGE DOORS

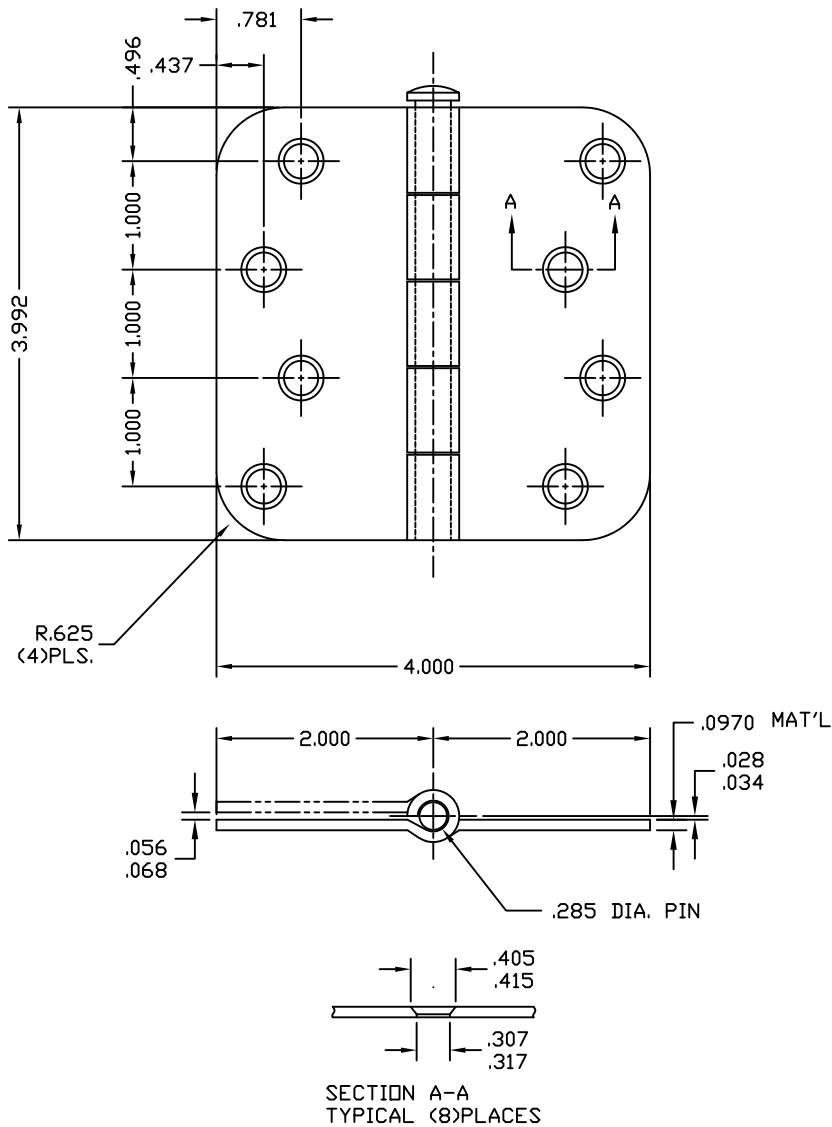
DWG#	II-50
DATE	9-29-05
NAME	MJP
SECTION	II
PAGE	50

HINGE SCREW FOR ATTACHING
HINGE LEAF TO
ADJUSTABLE HINGE DOORS:

#10-24 X5/8" MACHINE SCREW

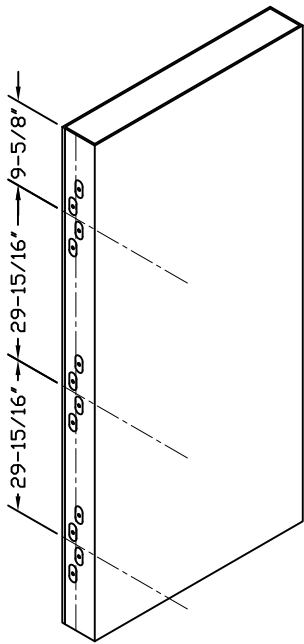
HINGE SCREW FOR ATTACHING
HINGE LEAF TO
FIXED HINGE DOORS AND WOOD JAMBS:

#10-24 X3/4" TYPE 17
PHILLIPS FLAT HEAD-
ZINC PLATED YELLOW DICHROMATE

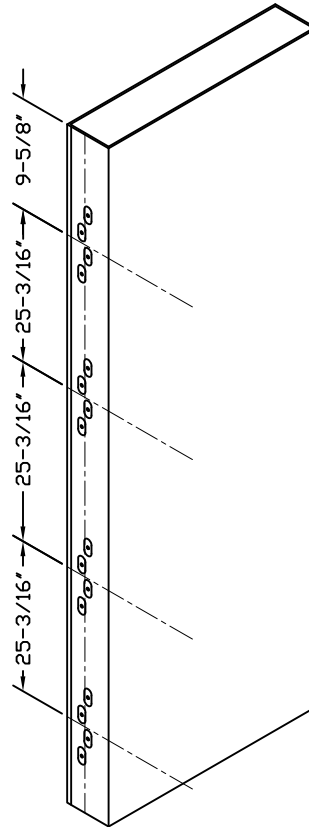


4" X 4" HINGE
DETAIL

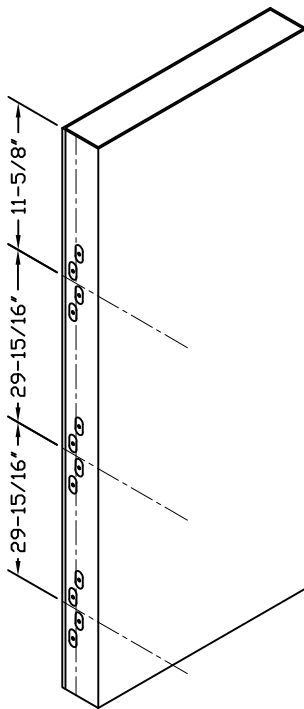
DWG#	II-50A
DATE	2-02-05
NAME	MJP
SECTION	II
PAGE	50A



6'8" DOOR HEIGHT

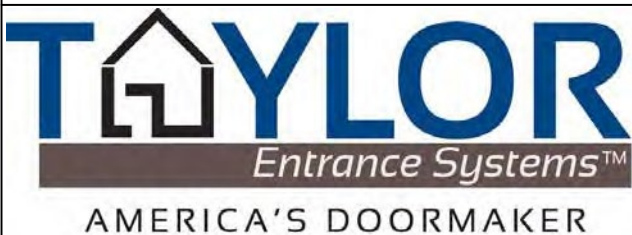


8'0" DOOR HEIGHT



7'0" DOOR HEIGHT

NOTE: DIMENSIONS FOR HINGE PREPS
 TAKEN FROM CENTERLINE OF HINGE PREP,
 HEIGHT PLACEMENT LOCATIONS THE SAME
 FOR ALL STYLES OF HINGE PREPS
 ON TAYLOR STANDARD DOORS ONLY



HINGE PREP LOCATIONS FOR STEEL DOORS

DWG#	II-51
DATE	1-20-05
NAME	MJP
SECTION	II
PAGE	50