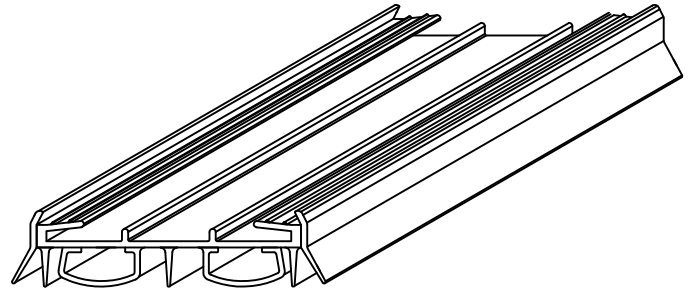
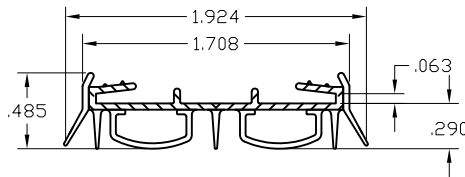


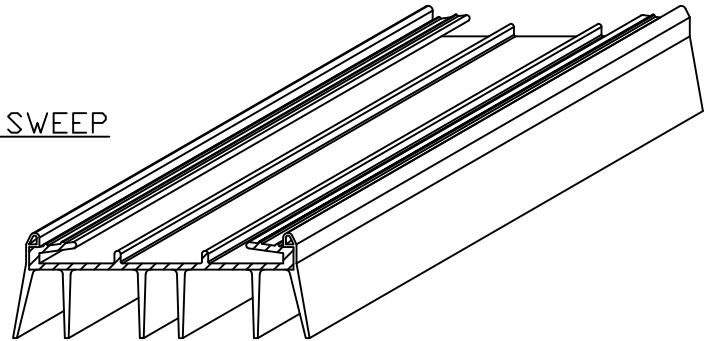
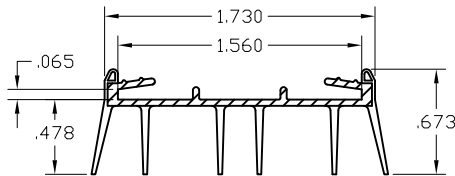
SLIDE ON BULB SWEEP

DOOR WIDTH	PART #	LENGTH
BEIGE		
3'6"	55200036	41.750'
3'0"	55200030	35.750'
2'11"	55200211	34.843'
2'10"	55200210	33.750'
2'9"	55200029	32.843'
2'8"	55200028	31.750'
2'7"	55200027	30.843'
2'6"	55200026	29.750'
BROWN		
3'0"	55200330	35.750'
3'6"	55200336	41.750'
IN HOUSE MANUFACTURED SAMPLES		
TRAPP SAMPLE		8.750'
4X8 SAMPLE		3.750'
11-5/8"		11.375'



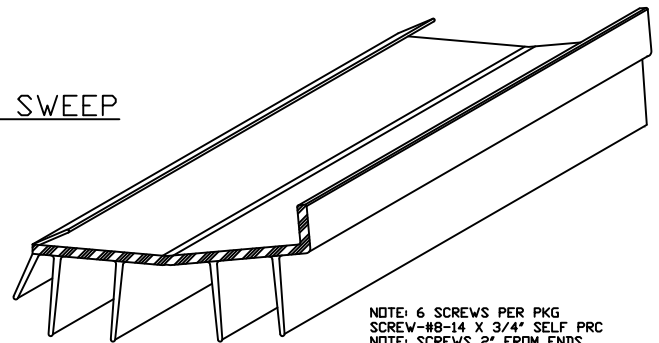
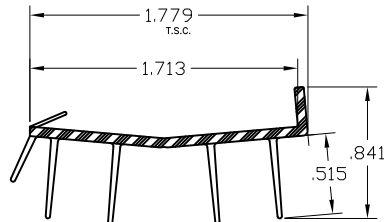
SLIDE ON FINNED SWEEP

DOOR WIDTH	PART #	LENGTH
BEIGE		
3'6"	52300169	41.750'
3'0"	52300165	35.750'
2'8"	52208165	31.750'
BROWN		
3'6"	47890036	41.750'
3'0"	47890030	35.750'
2'11"	47890023	34.843'
2'9"	47890022	32.843'
2'8"	47890028	31.750'
2'7"	47890021	30.843'
2'6"	47890026	29.750'
2'5"	47890020	28.843'



SCREW ON FINNED SWEEP

DOOR WIDTH	PART #	LENGTH
BROWN		
3'6"	10050000	41.750'
3'0"	10040000	35.750'
2'10"	10030000	33.750'
2'8"	10020000	31.750'
2'6"	10010000	29.750'
2'0"	10000000	23.750'



NOTE: 6 SCREWS PER PKG
SCREW-#8-14 X 3/4" SELF PRC
NOTE: SCREWS 2" FROM ENDS
& THEN EQUALLY SPACED AFTER THAT



SWEEP OPTIONS FOR STEEL DOORS

DWG#	II-56
DATE	3-12-09
NAME	KRB
SECTION	II
PAGE	56