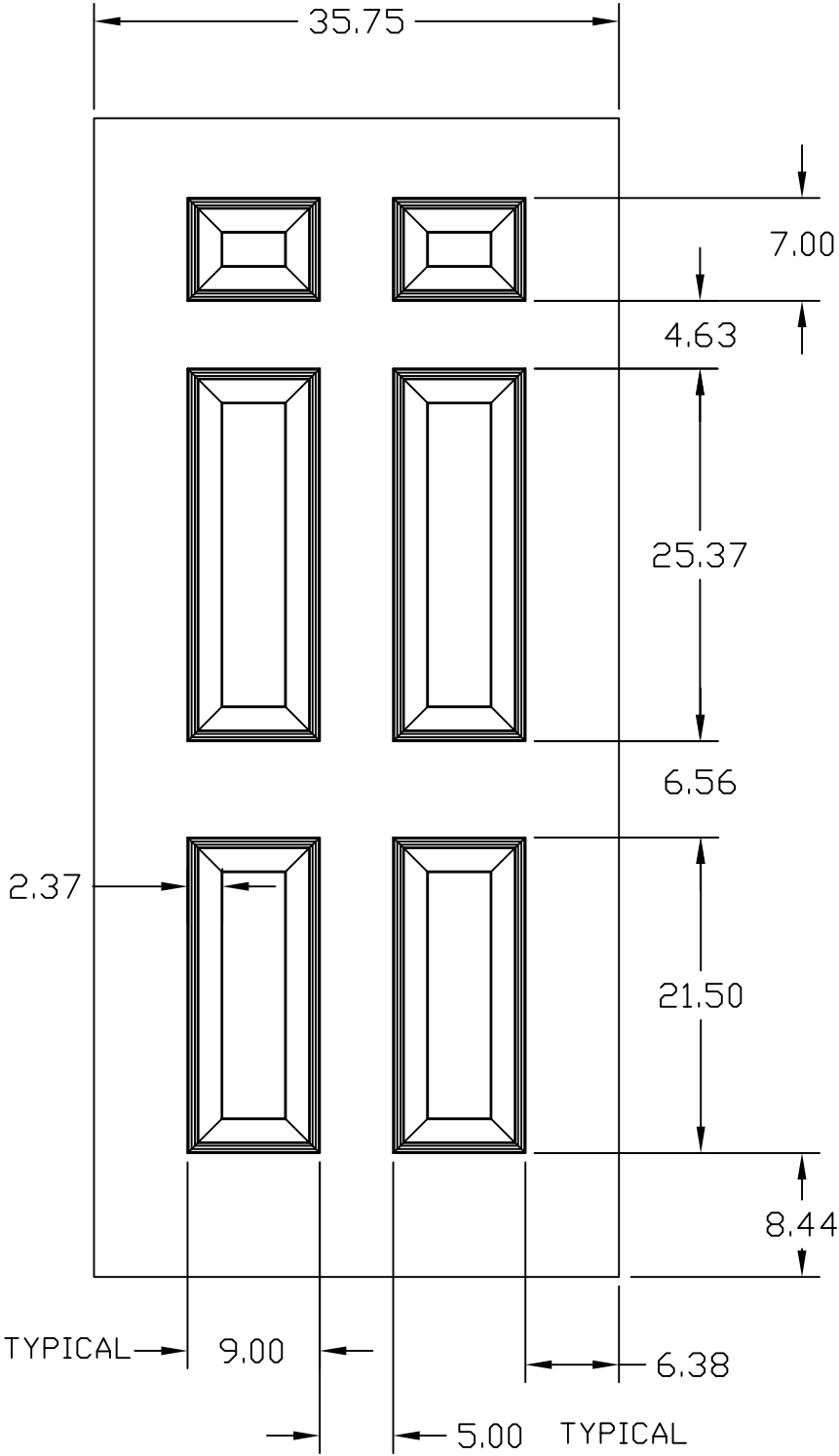


NOTE:
 1/16" TOLERANCE
 ALLOWED FROM CENTERLINE
 FOR EMBOSSEMENT LOCATIONS
 TOP TO BOTTOM
 AND SIDE TO SIDE.

NOTE:
 THIS LAYOUT BASED ON:
 3'0" X 6'8" EMBOSSED DOOR



6 PANEL HIGH DEF (HD) LARGE
 EMBOSSEMENT OPTION
 FOR WOOD EDGE DOORS ONLY (SM)

DWG#	III-11A
DATE	6-28-07
NAME	MJP
SECTION	III
PAGE	11A