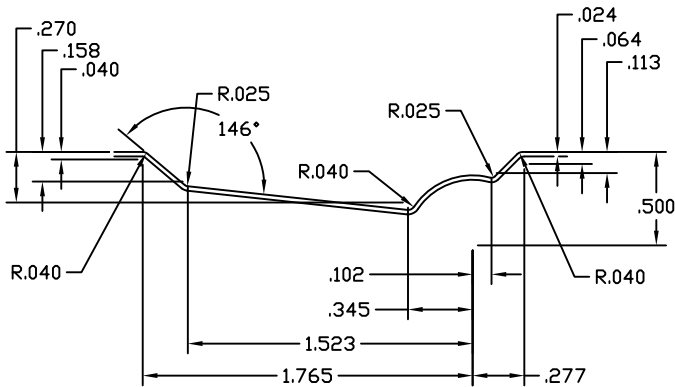


NOTE:
 1/16" TOLERANCE
 ALLOWED FROM CENTERLINE
 FOR EMBOSSMENT LOCATIONS
 TOP TO BOTTOM
 AND SIDE TO SIDE.

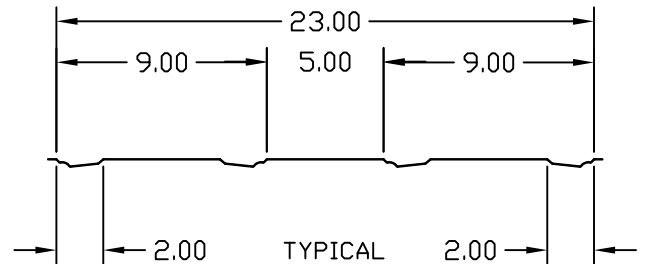
NOTE:
 THIS LAYOUT BASED ON:
 3'0" X 6'8" EMBOSSED DOOR
 FOR 7'0 DOORS
 EMBOSSMENT LOCATION
 DIFFERENCE IS SPLIT BETWEEN
 TOP AND BOTTOM RAILS

EMBOSSEMENT PROFILE
 SECTION A-A
 SCALE 16X



EMBOSSEMENT
 SECTION B-B

SCALE 2X
 ALL DIMENSIONS (T.S.C.) TO SHARP CORNER



TRUE 4 PANEL EMBOSSEMENT OPTION
 FOR WOOD EDGE DOORS

DWG#	III-8
DATE	7-05-06
NAME	MJP
SECTION	III
PAGE	8