

LOCK LOCATION

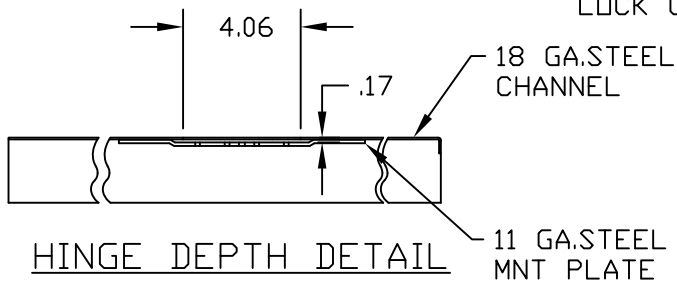
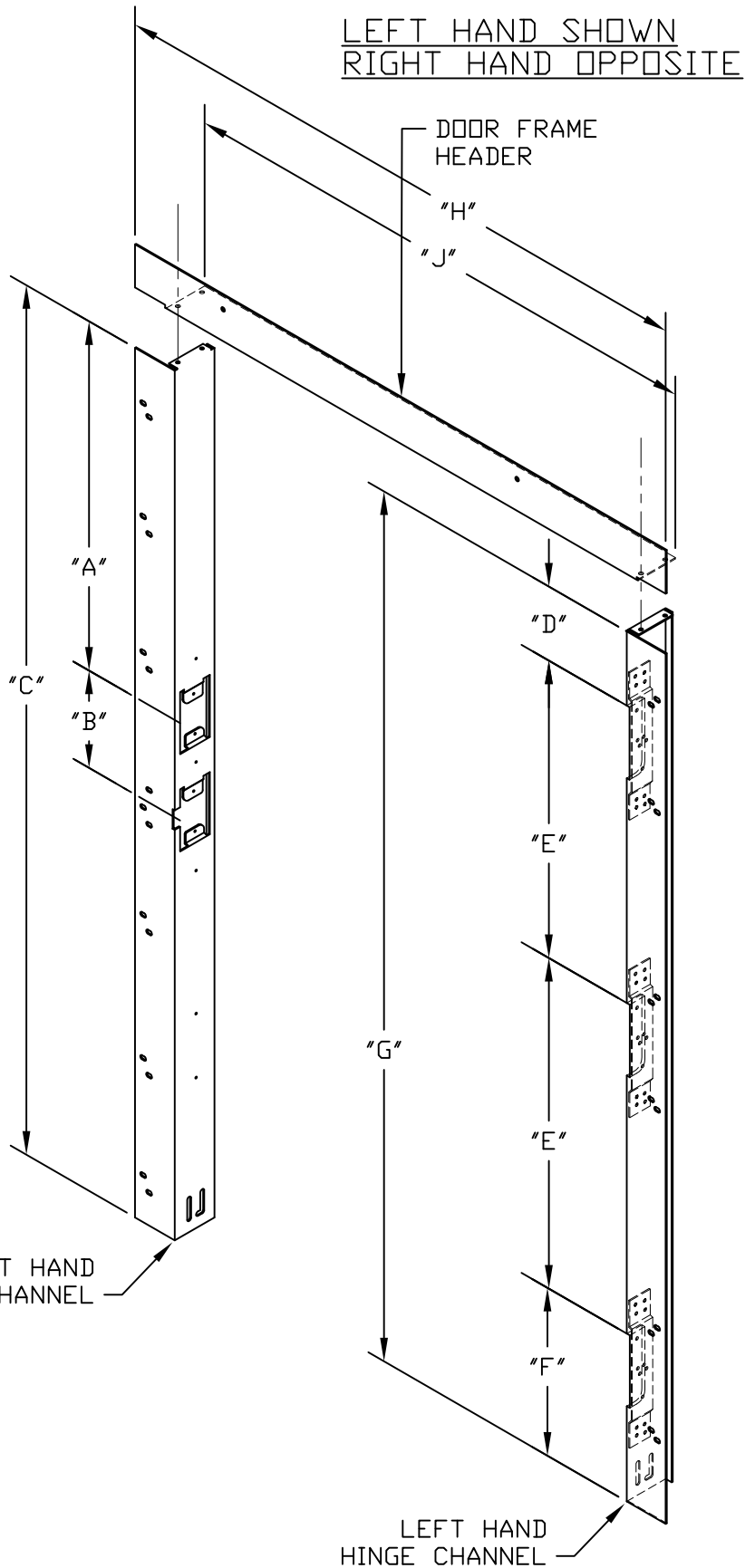
DOOR SIZE	"A" DIM	"B" DIM	"C" DIM
6'5"	38- $\frac{13}{16}$	5- $\frac{1}{2}$	77- $\frac{11}{16}$
6'7"	38- $\frac{13}{16}$	5- $\frac{1}{2}$	79- $\frac{11}{16}$
6'9"	40- $\frac{13}{16}$	5- $\frac{1}{2}$	81- $\frac{11}{16}$
6'11"	40- $\frac{13}{16}$	5- $\frac{1}{2}$	83- $\frac{11}{16}$

HINGE LOCATION

DOOR SIZE	"D" DIM	"E" DIM	"F" DIM	"G" DIM
6'5"	6-1/4	29-15/16	11-19/32	77- $\frac{11}{16}$
6'7"	7-23/32	29-15/16	12-3/32	79- $\frac{11}{16}$
6'9"	7-23/32	29-15/16	14-3/32	81- $\frac{11}{16}$
6'11"	9-23/32	29-15/16	14-3/32	83- $\frac{11}{16}$

HEADER DIMENSIONS

DOOR SIZE	"H" DIM	"J" DIM
2'5"	32- $\frac{1}{2}$ "	29- $\frac{5}{8}$ "
2'7"	34- $\frac{1}{2}$ "	31- $\frac{5}{8}$ "
2'9"	36- $\frac{1}{2}$ "	33- $\frac{5}{8}$ "
2'11"	38- $\frac{1}{2}$ "	35- $\frac{5}{8}$ "



PROFESSIONAL REMODELER FRAME
HINGE & LOCK LOCATION DETAIL

DWG#	VIII-10
DATE	10-05-05
NAME	MJP
SECTION	VIII
PAGE	10