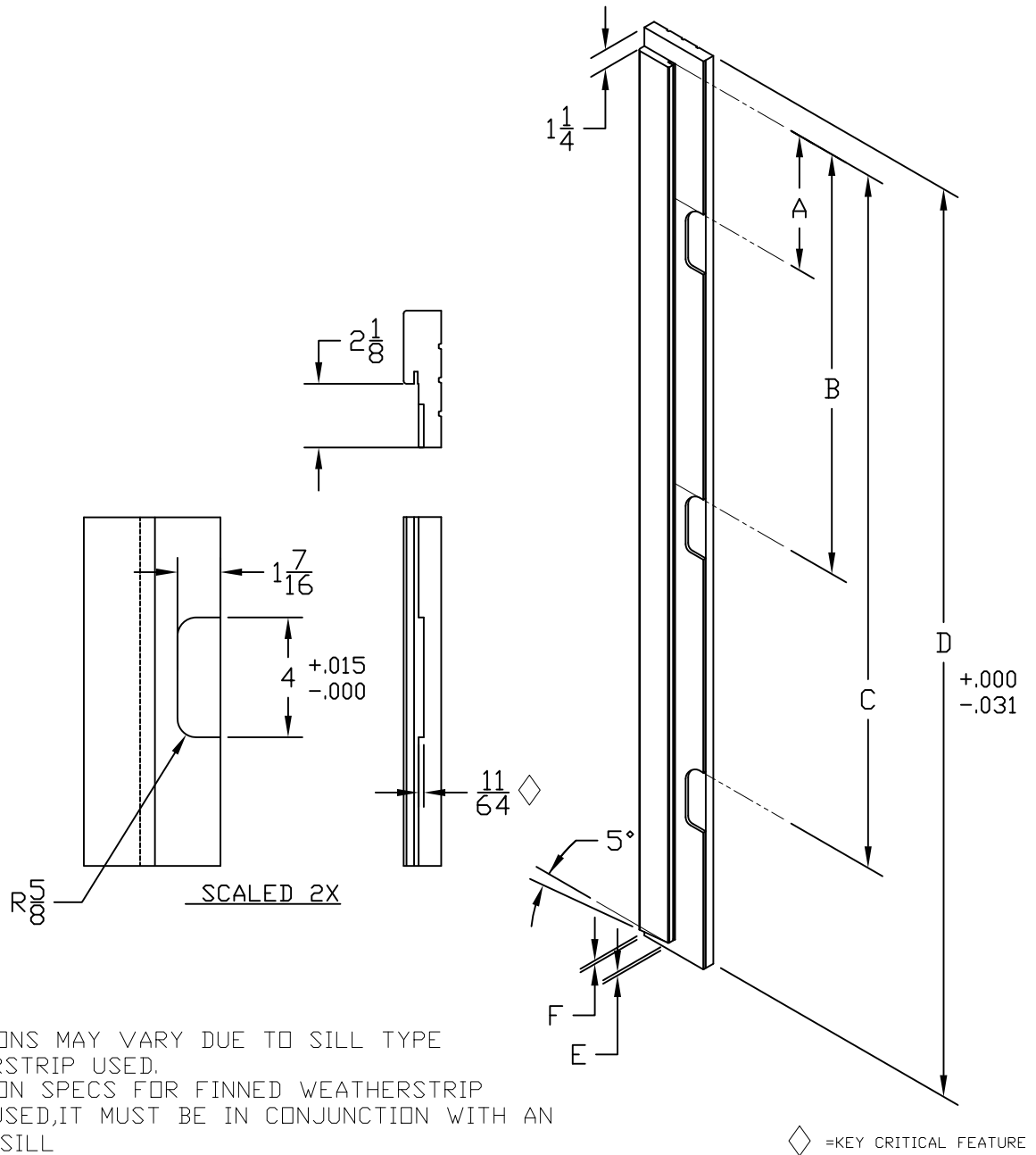


DOOR SIZE	STANDARD $1\frac{1}{8}$ " DAM SILL							HIGH $1\frac{3}{8}$ " DAM SILL			
	"A" DIM	"B" DIM	"C" DIM	"D" DIM	"E" DIM	"F" DIM	DEG°	"D" DIM	"E" DIM	"F" DIM	DEG°
6'6"	7.25	37.188	67.125	79.375	.9375	.719	5°	79.625	.938	.688	5°
6'8"	7.25	37.188	67.125	81.375	.9375	.719	5°	81.625	.938	.688	5°
7'0"	9.25	39.188	69.125	85.375	.9375	.719	5°	85.625	.938	.688	5°



WOOD FRAME HINGE
 LOCATION DETAIL

DWG#	VIII-4
DATE	9-20-05
NAME	MJP
SECTION	VIII
PAGE	4