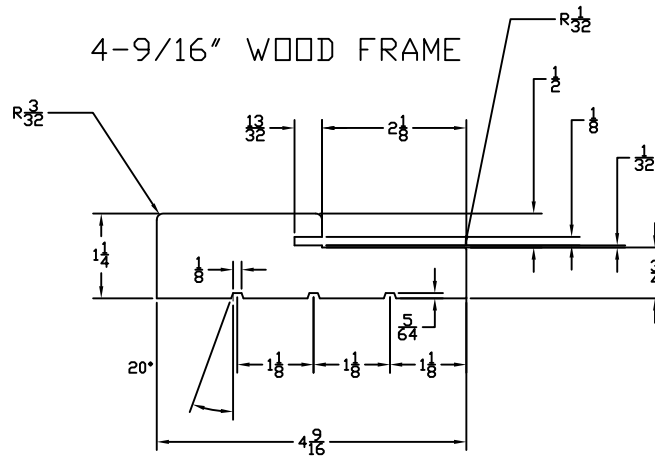
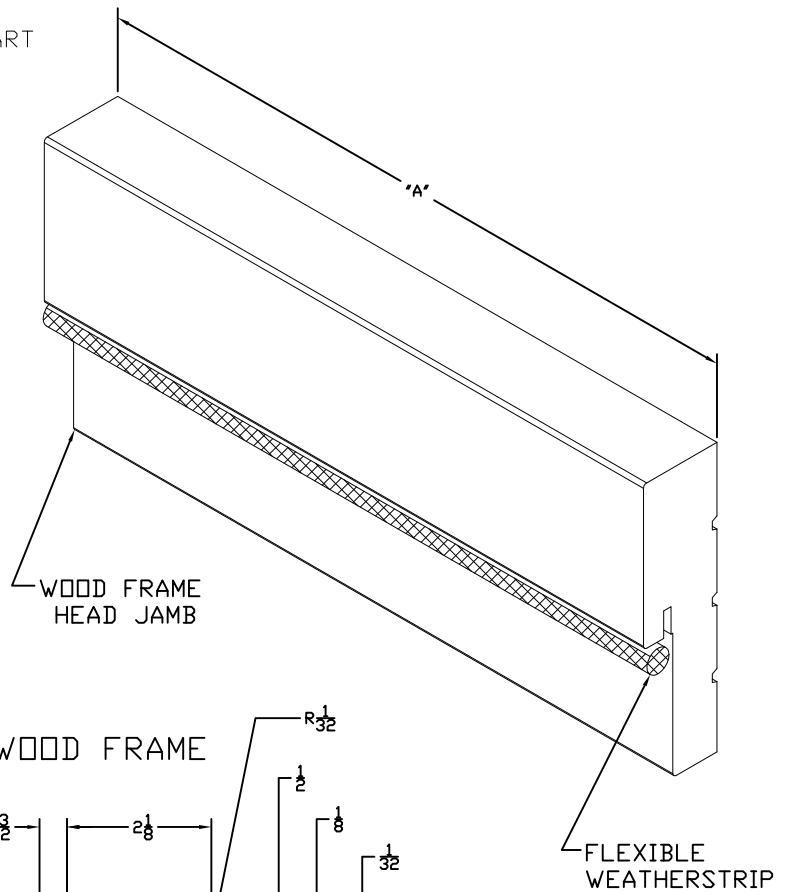


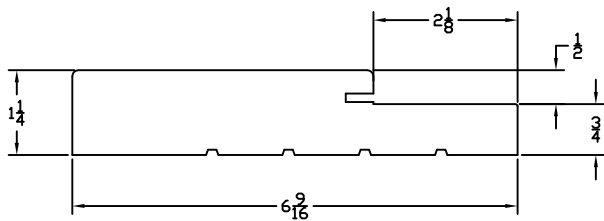
DOOR SIZE	'A' DIM
2'0"	24"
2'4"	28"
2'6"	30"
2'8"	32"
2'10"	34"
3'0"	36"
3'4"	40"
3'6"	42"
5'0"	60- $\frac{1}{2}$ "
5'4"	64- $\frac{1}{2}$ "
6'0"	72- $\frac{1}{2}$ "

HEAD JAMB DIMENSION CHART



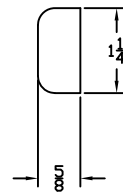
USE FOR 4-1/2" WALL
FOR 5-1/8" WALL, USE 4-9/16" FRAME WITH 5/8" EXTENDER

6-9/16" WOOD FRAME



USE FOR 6-1/2" WALL
FOR 7-1/8" WALL, USE 6-9/16" FRAME WITH 5/8" EXTENDER

5/8" WOOD FRAME EXTENDER



USE WITH 4-9/16" OR 6-9/16" FRAMES



GENERIC WOOD
FRAME DETAIL

DWG#	VIII-7
DATE	1-31-05
NAME	MJP
SECTION	VIII
PAGE	7