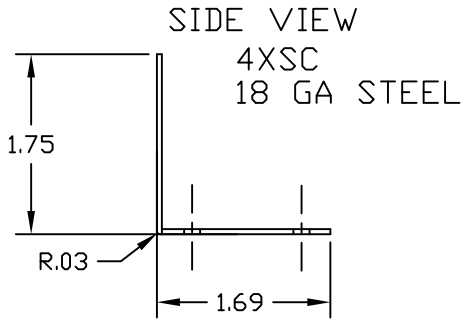
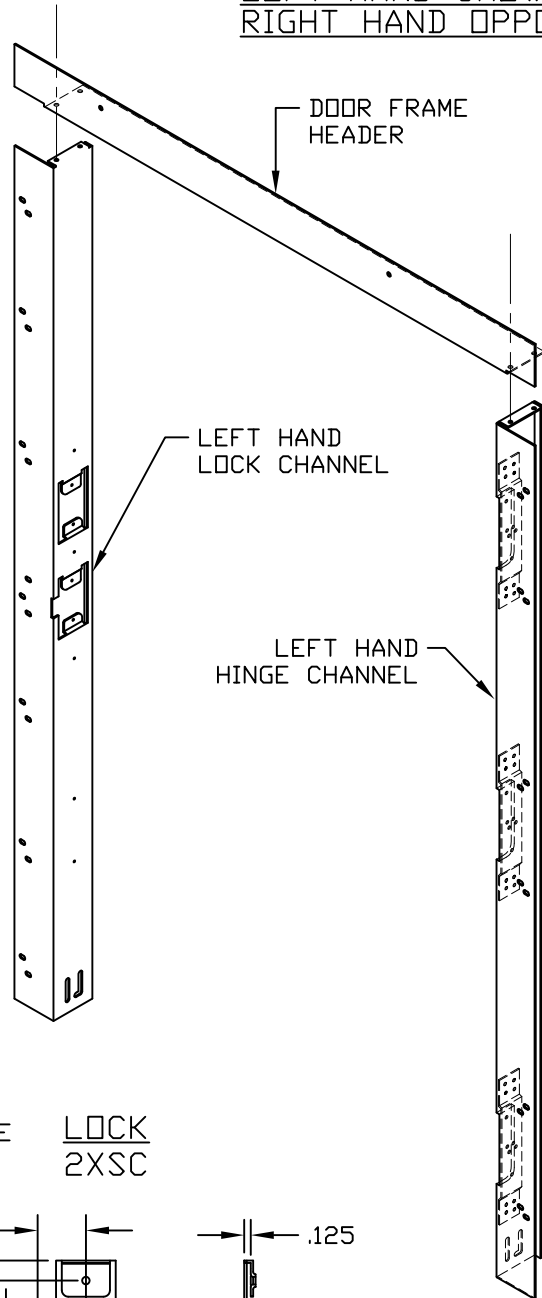


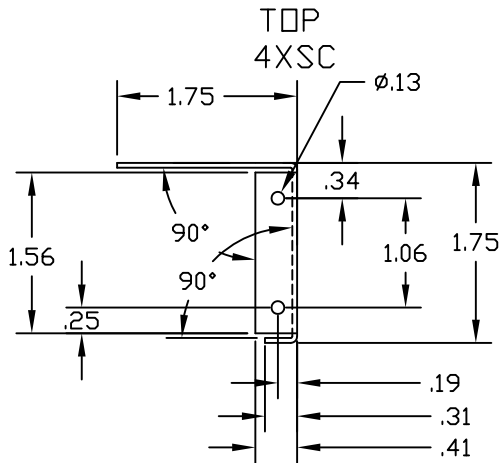
HEADER CHANNEL PROFILE



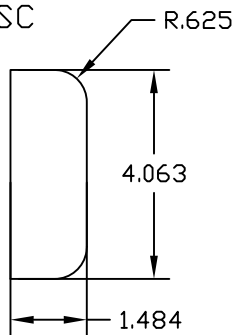
LEFT HAND SHOWN  
RIGHT HAND OPPOSITE



HINGE & LOCK CHANNEL PROFILE

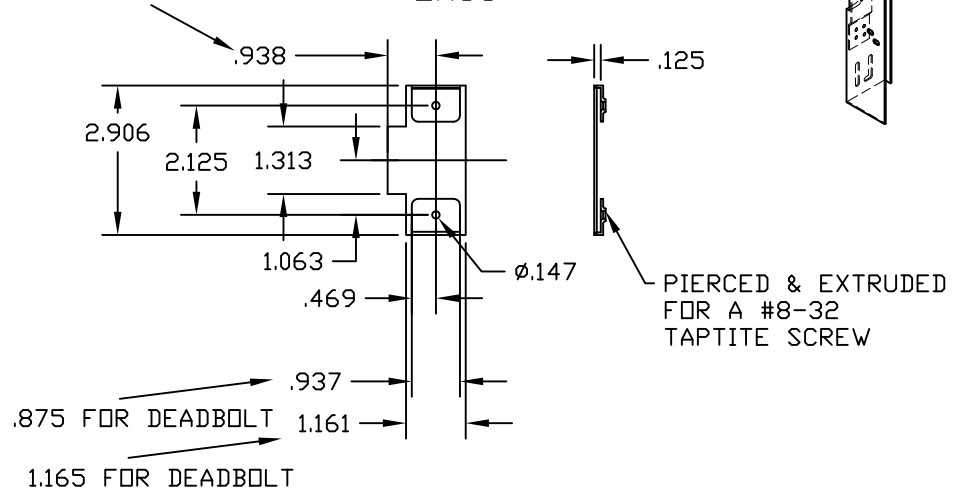


HINGE  
2XSC



FROM OUTSIDE EDGE  
OF FORMED PART

FROM OUTSIDE EDGE  
OF FORMED PART LOCK  
2XSC



AMERICA'S DOORMAKER

PROFESSIONAL REMODELER  
FRAME DETAIL

|         |         |
|---------|---------|
| DWG#    | VII-9   |
| DATE    | 1-31-05 |
| NAME    | MJP     |
| SECTION | VII     |
| PAGE    | 9       |