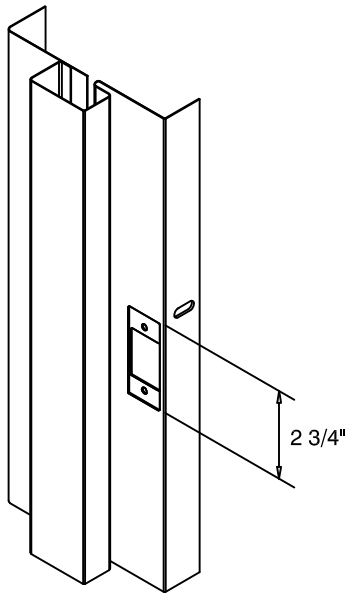


HANDICAP

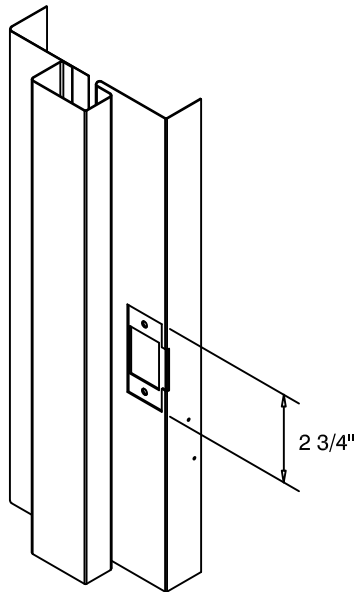
DOOR HEIGHT	"A" DIM	"B" DIM
6'8"	45- $\frac{1}{4}$ "	5- $\frac{1}{2}$ "
7'0"	47- $\frac{1}{4}$ "	5- $\frac{1}{2}$ "
8'0"	56- $\frac{1}{16}$ "	5- $\frac{1}{2}$ "

NON-HANDICAP

DOOR HEIGHT	"A" DIM	"B" DIM
6'8"	45- $\frac{1}{4}$ "	5- $\frac{1}{2}$ "



DEADBOLT STRIKE PREP.
.130" (3.30) DEPTH
#8-32 MACHINE SCREW



ADJ. T. STRIKE PREP.
.130" (3.30) DEPTH
#8-32 MACHINE SCREW

