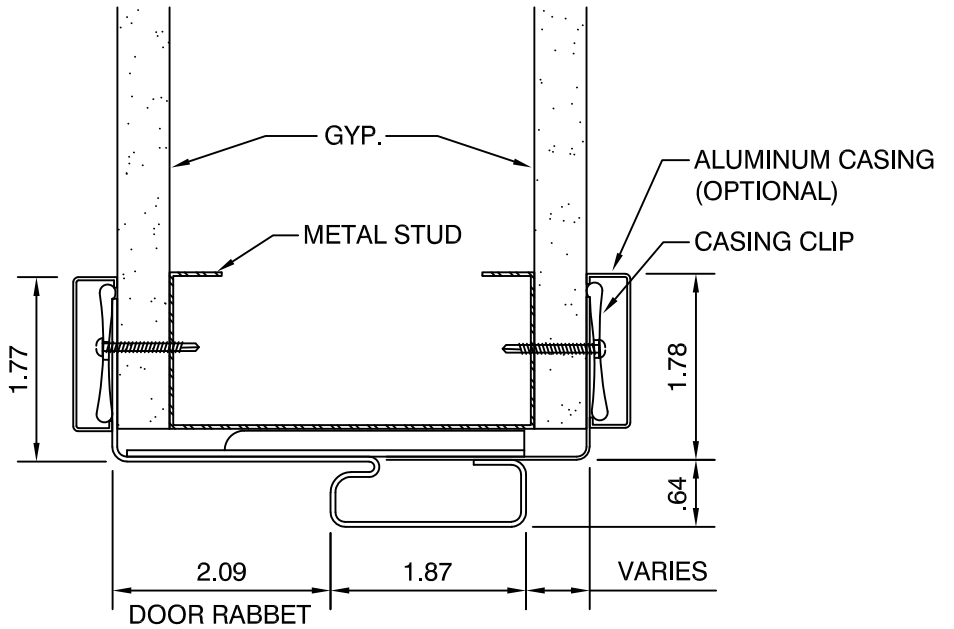


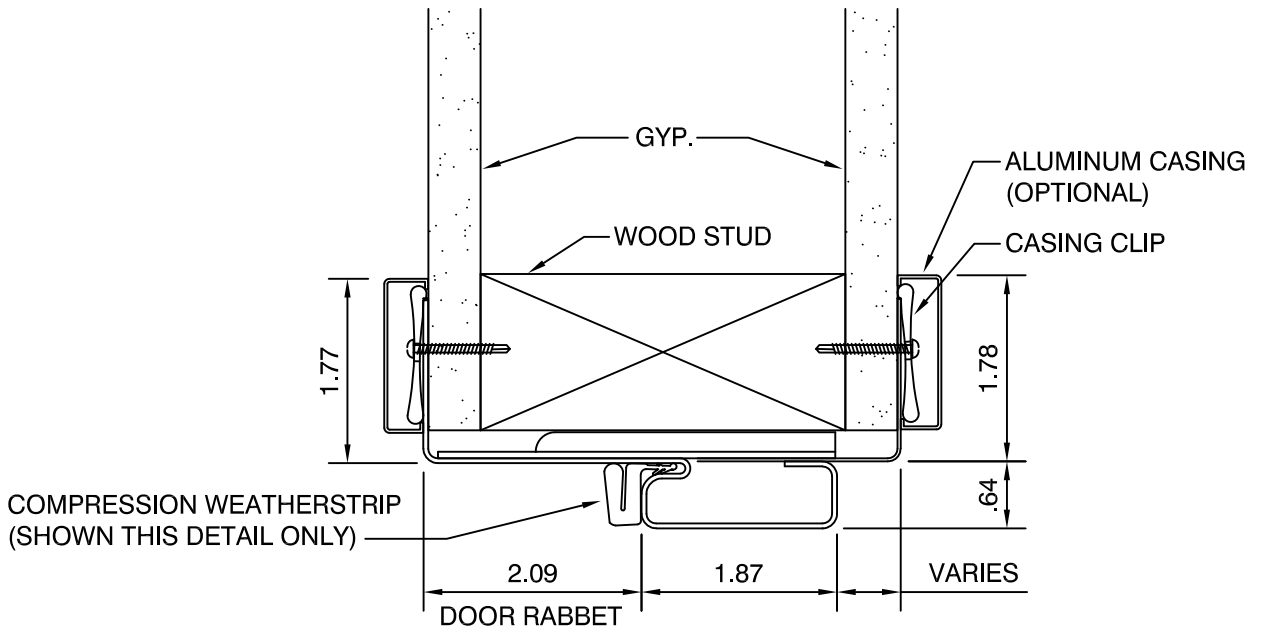
ALUMINUM CASING
(OPTIONAL)



CASING CLIP



K2A SERIES FRAME
METAL STUD WALL APPLICATION



K2A SERIES FRAME
WOOD STUD WALL APPLICATION



QuikFIT STEEL FRAME
CASING DETAILS

DWG#	XXI-9
DATE	1-28-20
NAME	KRB
SECTION	XXI
PAGE	9