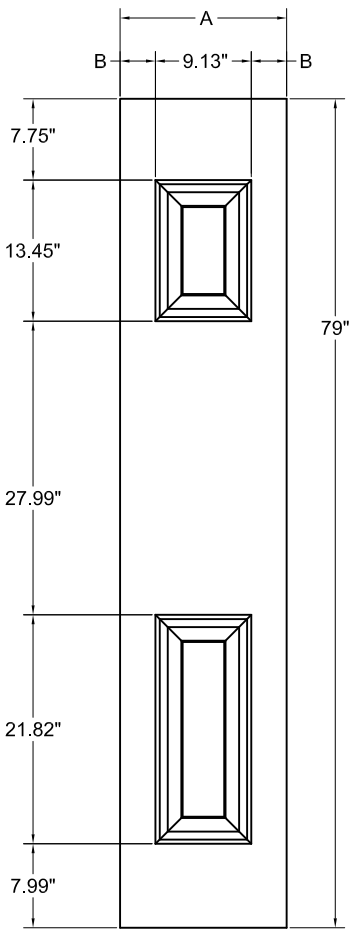
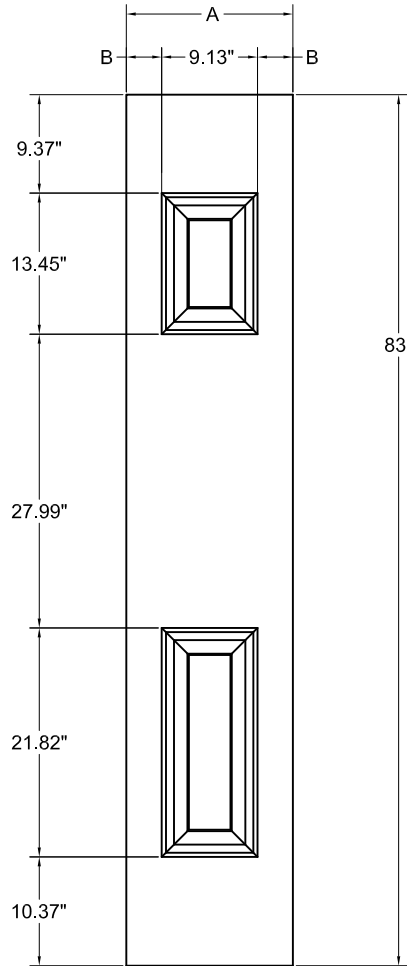


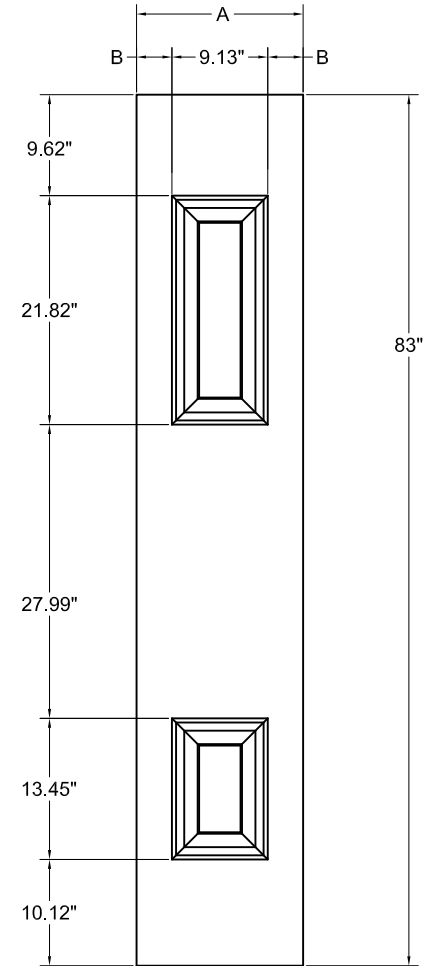
WIDTH	'A'	'B'
12'	11.875'	1.37'
14'	13.875'	2.37'
16'	15.875'	3.37'



6'-8" 2 PANEL
REVERSIBLE

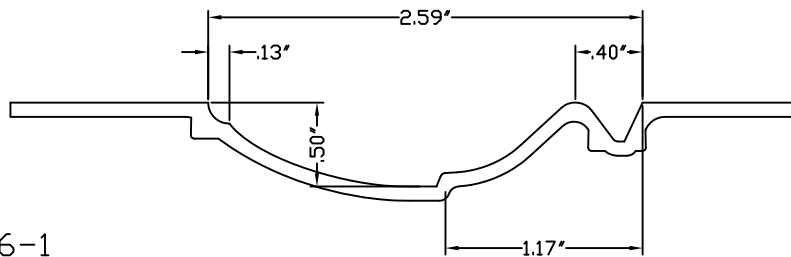


7'-0" 2 PANEL
NON-REVERSIBLE
MATCHES 6 PANEL

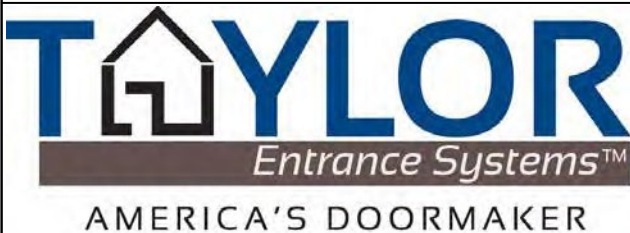


7'-0" 2 PANEL
NON-REVERSIBLE
MATCHES 3P, 8P, 2P SQ

EMBOSSMENT PROFILE



SCALE: 16-1



2 PANEL REVERSIBLE
6'8" / 7'0" TIMBERGRAIN
FIBERGLASS SIDELIGHTS

DWG#	XXII-11
DATE	4-23-14
NAME	KRB
SECTION	XXII
PAGE	11