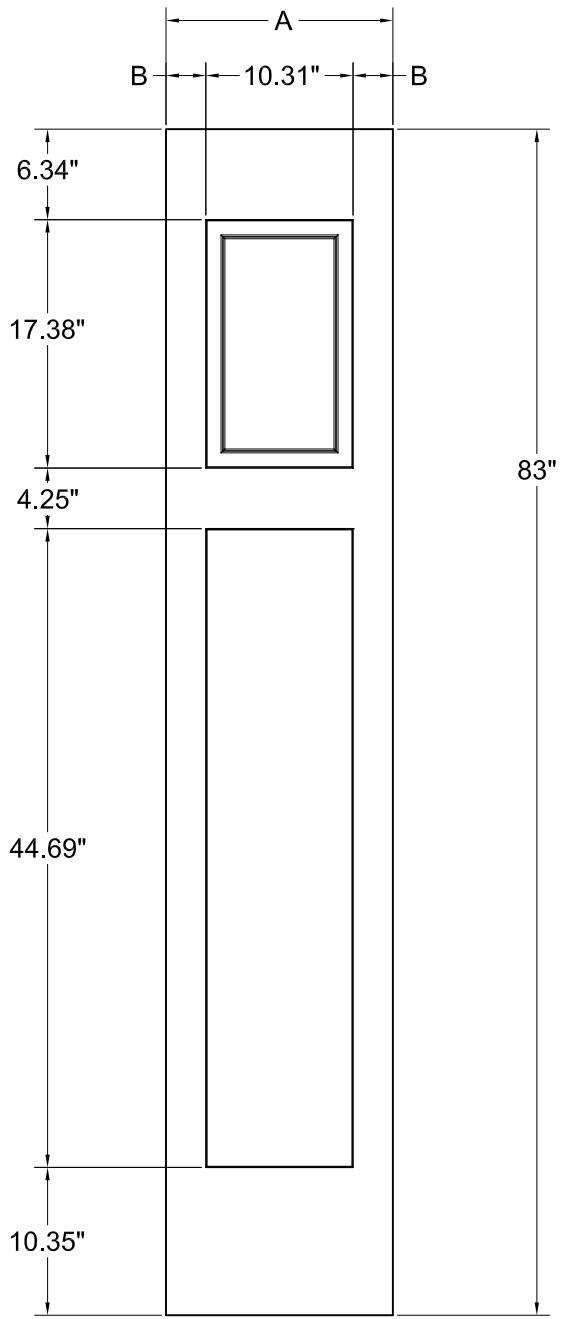


6'-8" CRAFTSMAN  
2 PANEL



7'-0" CRAFTSMAN  
2 PANEL

WIDTH	"A"	"B"
12"	11.875"	0.79"
14"	13.875"	1.79"
16"	15.875"	2.79"



CRAFTSMAN 2 PANEL  
6'8" / 7'0" TIMBERGRAIN  
FIBERGLASS SIDELIGHTS

DWG#	XXII-12A
DATE	6-9-20
NAME	KRB
SECTION	XXII
PAGE	12