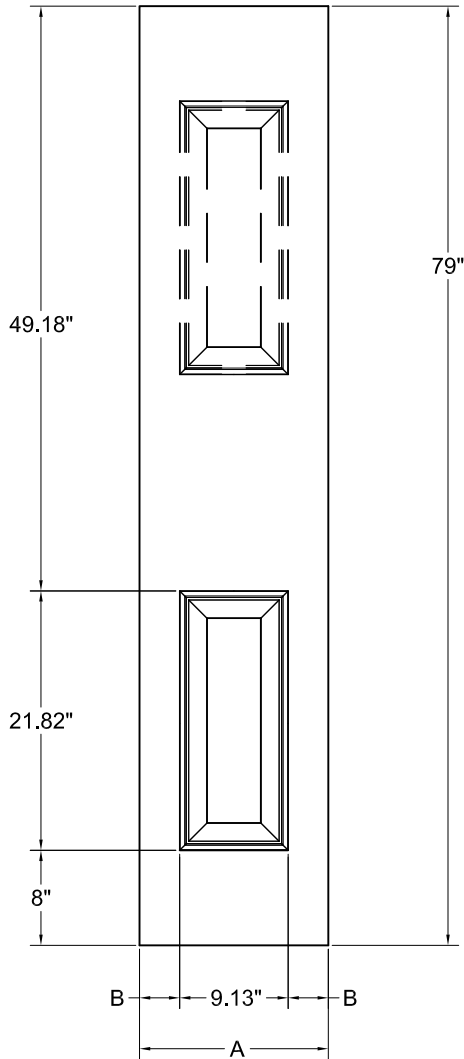
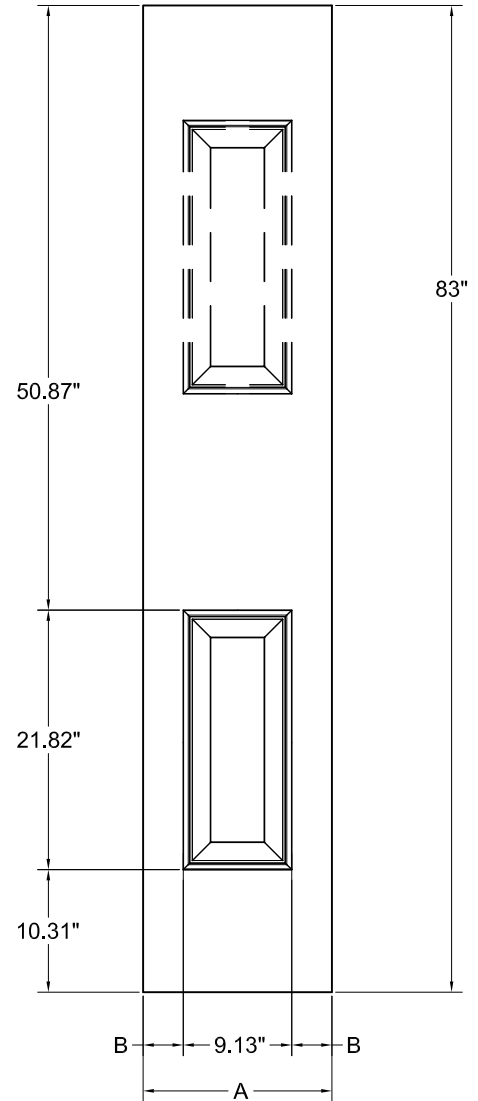


6'-8" 1 PANEL 9"X21"

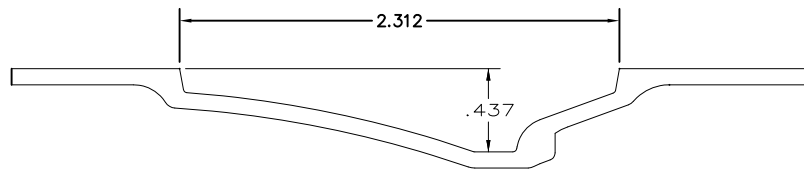
7'-0" 1 PANEL 9"X21"



WIDTH	'A'	'B'
12'	11.875'	1.37'
14'	13.875'	2.37'
16'	15.875'	3.37'

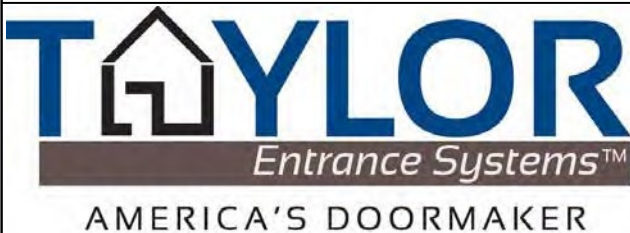


EMBOSSMENT PROFILE



SCALE: 16X

PROFILE MATCHES KNOTTY ALDER DOORS



1 PANEL 9"X21"
 KNOTTY ALDER
 6'8" / 7'0" TIMBERGRAIN
 FIBERGLASS SIDELIGHTS

DWG#	XXII-13b
DATE	9-13-17
NAME	KRB
SECTION	XXII
PAGE	13b