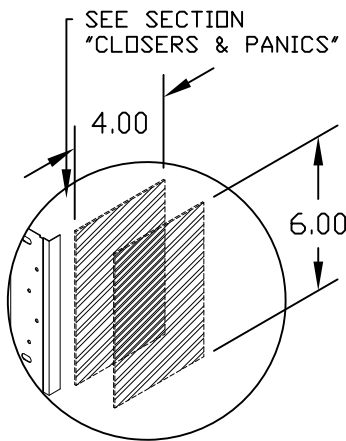
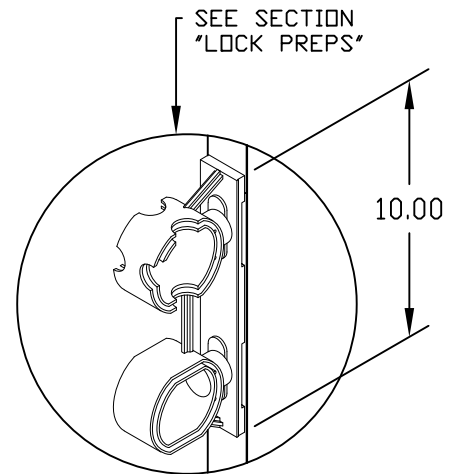


DETAIL "A"  
SCALED 4X



DETAIL "B"  
SCALED 4X



DETAIL "C"  
SCALED 4X

NOTE: FOR ILLUSTRATION ONLY  
4-20-21



AMERICA'S DOORMAKER

STEEL DOOR  
CONSTRUCTION DETAIL

DWG#	II-1
DATE	1-17-05
NAME	MJP
SECTION	II
PAGE	1