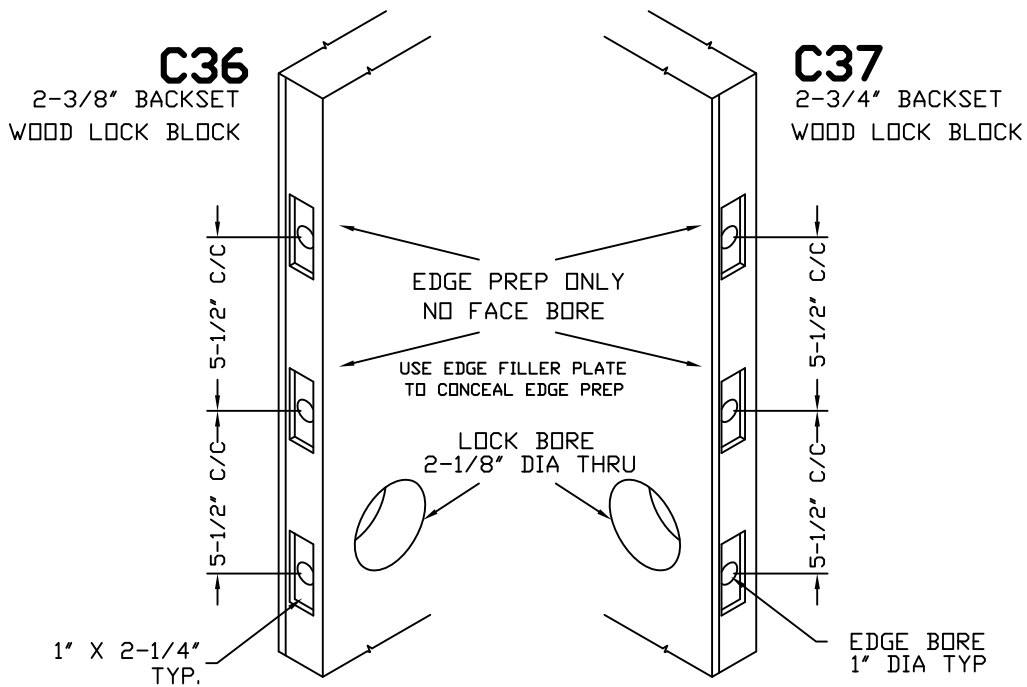
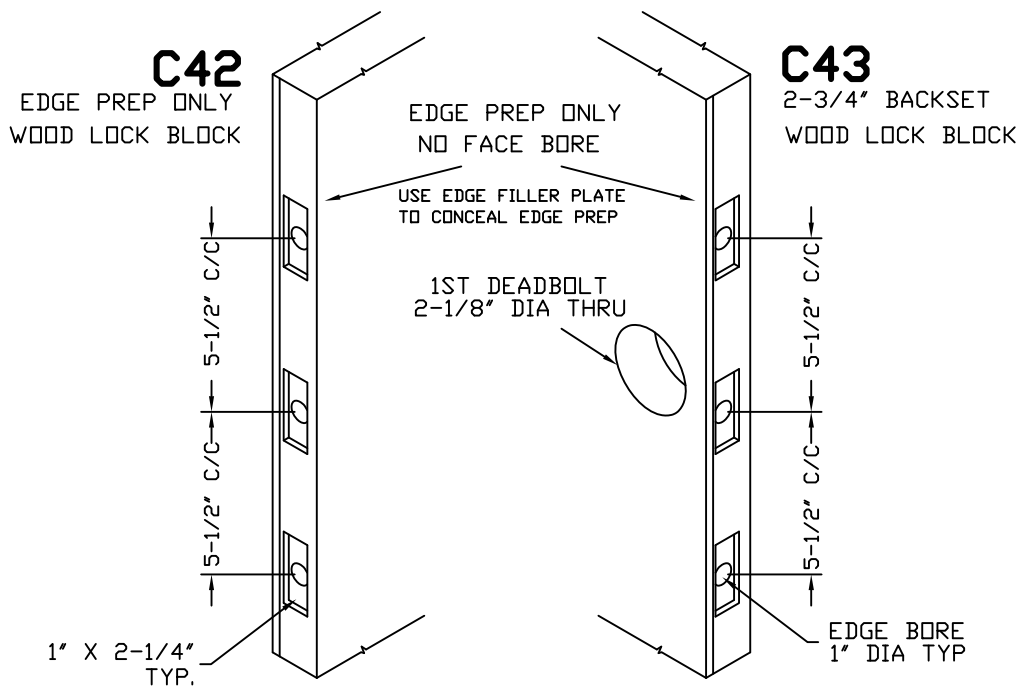


Triple Edge Prep

Edge Prep Description (No. Edge Preps x 1" Width x Lock Prep Ht.)	Lock Face Bore	1st Deadbolt Face Bore	Half DB Face Bore x Depth of Face Bore	Backset	Center to Center of Preps	Prep #	Lock Reinforcement	Lock Block: Composite (C) or Wood (W)	DWG Pg #
3 - 1" x 2-1/4"					5-1/2	C42	45100064	W	II-34
3 - 1" x 2-1/4"		2-1/8		2-3/4	5-1/2	C43	45100063	W	II-34
3 - 1" x 2-1/4" *	2-1/8			2-3/8	5-1/2	C36	45100059	W	II-34
3 - 1" x 2-1/4" *	2-1/8			2-3/4	5-1/2	C37	45100060	W	II-34
3 - 1" x 2-1/4"	2-1/8			2-3/8	5-1/2	C38	45100054	W	II-35
3 - 1" x 2-1/4"	2-1/8			2-3/4	5-1/2	C39	45100055	W	II-35
3 - 1" x 2-1/4"	2-1/8		1-5/8 X 1-7/16	2-3/8	5-1/2	C30LH	45100045	W	II-35
3 - 1" x 2-1/4"	2-1/8		1-5/8 X 1-7/16	2-3/8	5-1/2	C31RH	45100046	W	II-35
3 - 1" x 2-1/4"	2-1/8		1-5/8 X 1-7/16	2-3/4	5-1/2	C32LH	45100047	W	II-36
3 - 1" x 2-1/4"	2-1/8		1-5/8 X 1-7/16	2-3/4	5-1/2	C33RH	45100048	W	II-36
3 - 1" x 2-1/4"	2-1/8		2-1/8 X 1-7/16	2-3/8	5-1/2	C26LH	45100041	W	II-36
3 - 1" x 2-1/4"	2-1/8		2-1/8 X 1-7/16	2-3/8	5-1/2	C27RH	45100042	W	II-36
3 - 1" x 2-1/4"	2-1/8		2-1/8 X 1-7/16	2-3/4	5-1/2	C28LH	45100043	W	II-37
3 - 1" x 2-1/4"	2-1/8		2-1/8 X 1-7/16	2-3/4	5-1/2	C29RH	45100044	W	II-37
3 - 1" x 2-1/4" *	2-1/8	2-1/8		2-3/8	5-1/2	C34	45100049	W	II-38
3 - 1" x 2-1/4" *	2-1/8	2-1/8		2-3/4	5-1/2	C35	45100051	W	II-38
3 - 1" x 2-1/4"	2-1/8	2-1/8	1-5/8 X 1-7/16	2-3/8	5-1/2	C22LH	45100036	W	II-38
3 - 1" x 2-1/4"	2-1/8	2-1/8	1-5/8 X 1-7/16	2-3/8	5-1/2	C23RH	45100037	W	II-38
3 - 1" x 2-1/4"	2-1/8	2-1/8	1-5/8 X 1-7/16	2-3/4	5-1/2	C24LH	45100038	W	II-39
3 - 1" x 2-1/4"	2-1/8	2-1/8	1-5/8 X 1-7/16	2-3/4	5-1/2	C25RH	45100039	W	II-39
3 - 1" x 2-1/4"	2-1/8	2-1/8	2-1/8 X 1-7/16	2-3/8	5-1/2	C18LH	45100031	W	II-39
3 - 1" x 2-1/4"	2-1/8	2-1/8	2-1/8 X 1-7/16	2-3/8	5-1/2	C19RH	45100033	W	II-39
3 - 1" x 2-1/4"	2-1/8	2-1/8	2-1/8 X 1-7/16	2-3/4	5-1/2	C20LH	45100034	W	II-40
3 - 1" x 2-1/4"	2-1/8	2-1/8	2-1/8 X 1-7/16	2-3/4	5-1/2	C21RH	45100035	W	II-40
3 - 1" x 2-1/4"	2-1/8	2-1/8	2-1/8	2-3/8	5-1/2	C49	45100049	W	II-40
3 - 1" x 2-1/4"	2-1/8	2-1/8	2-1/8	2-3/4	5-1/2	C57	45100051	W	II-40

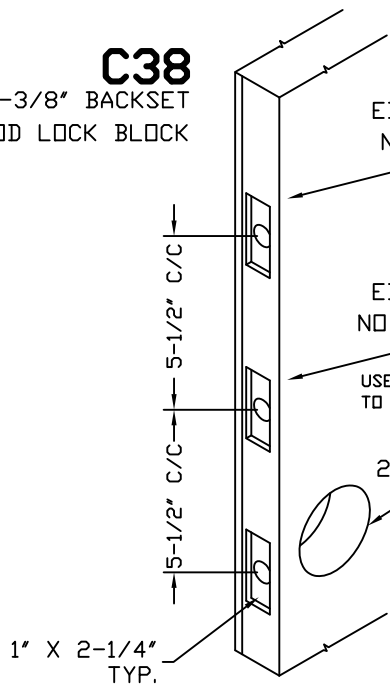


AMERICA'S DOORMAKER

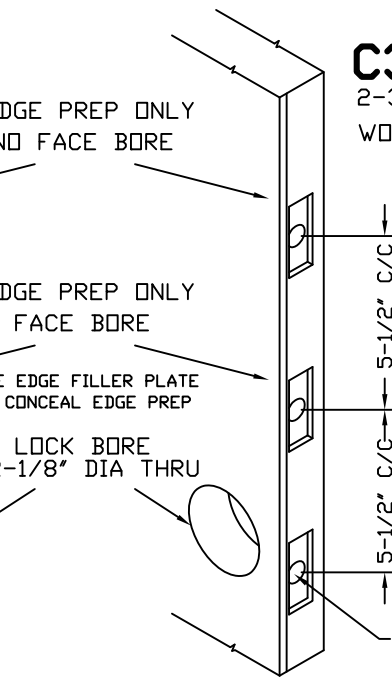
TRIPLE EDGE PREP
FOR STEEL DOORS

DWG#	II-34
DATE	10-30-06
NAME	MJP
SECTION	II
PAGE	34

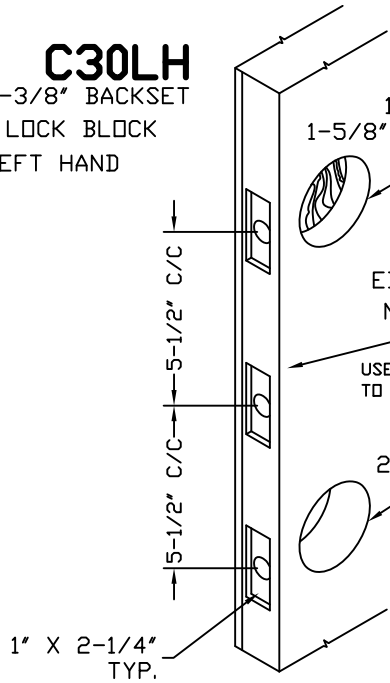
C38
2-3/8" BACKSET
WOOD LOCK BLOCK



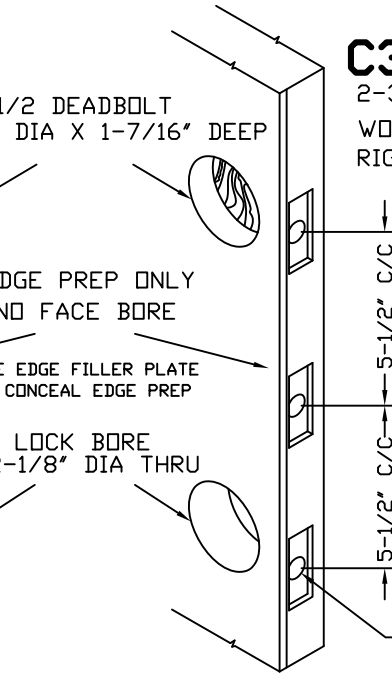
C39
2-3/4" BACKSET
WOOD LOCK BLOCK



C30LH
2-3/8" BACKSET
WOOD LOCK BLOCK
LEFT HAND



C31RH
2-3/8" BACKSET
WOOD LOCK BLOCK
RIGHT HAND

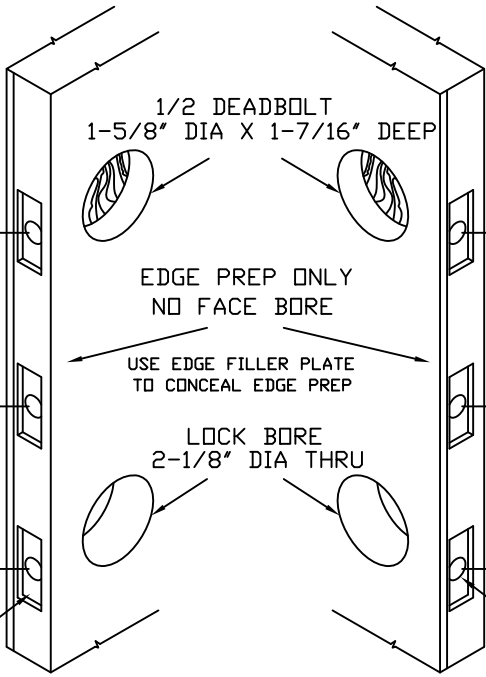
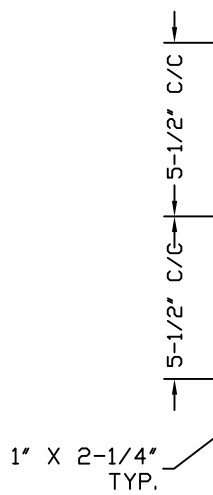


AMERICA'S DOORMAKER

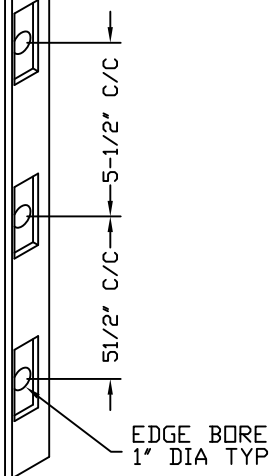
TRIPLE EDGE PREP
FOR STEEL DOORS

DWG#	II-35
DATE	10-30-06
NAME	MJP
SECTION	II
PAGE	35

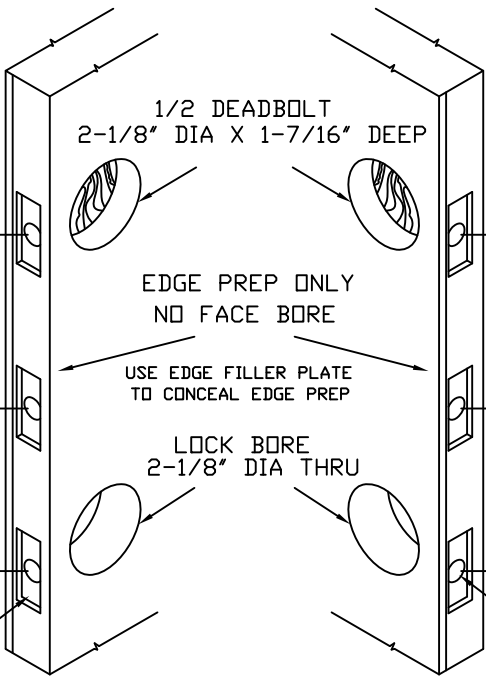
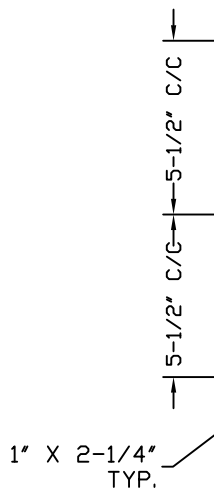
C32LH
 2-3/4" BACKSET
 WOOD LOCK BLOCK
 LEFT HAND



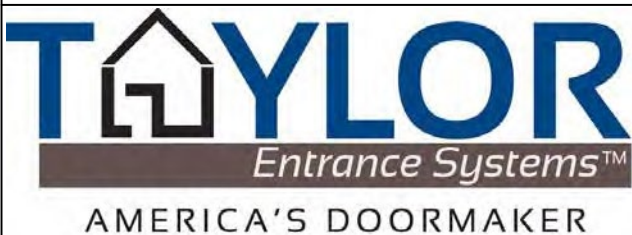
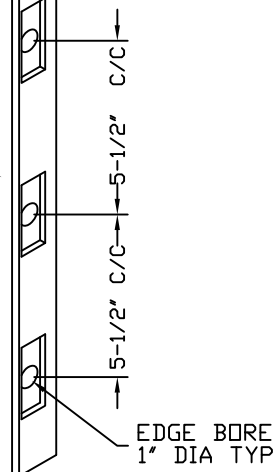
C33RH
 2-3/4" BACKSET
 WOOD LOCK BLOCK
 RIGHT HAND



C26LH
 2-3/8" BACKSET
 WOOD LOCK BLOCK
 LEFT HAND



C27RH
 2-3/8" BACKSET
 WOOD LOCK BLOCK
 RIGHT HAND

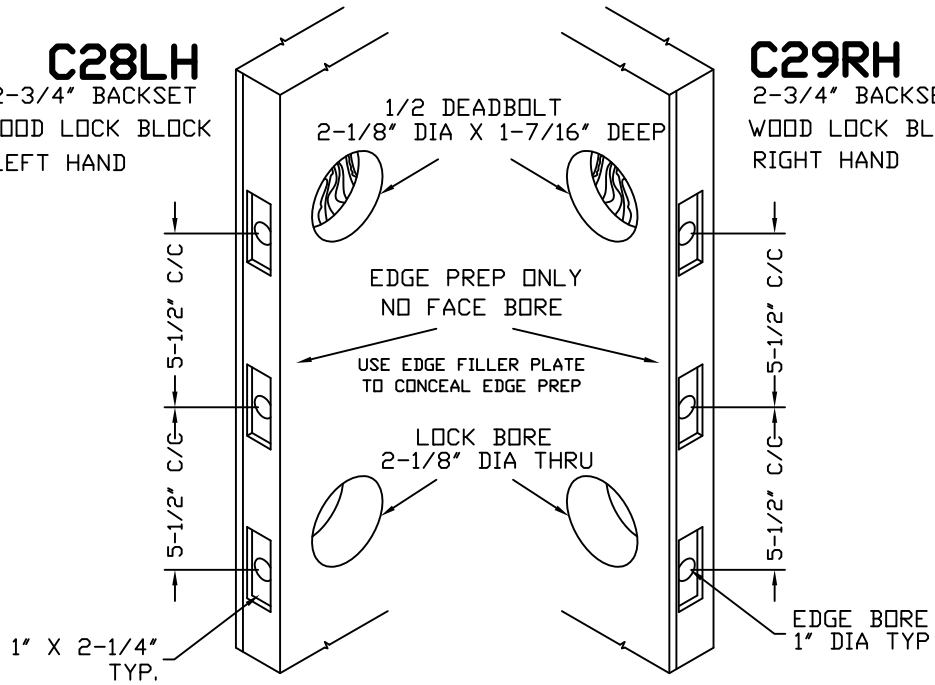


TRIPLE EDGE PREP
 FOR STEEL DOORS

DWG#	II-36
DATE	1-19-05
NAME	MJP
SECTION	II
PAGE	36

C28LH
 2-3/4" BACKSET
 WOOD LOCK BLOCK
 LEFT HAND

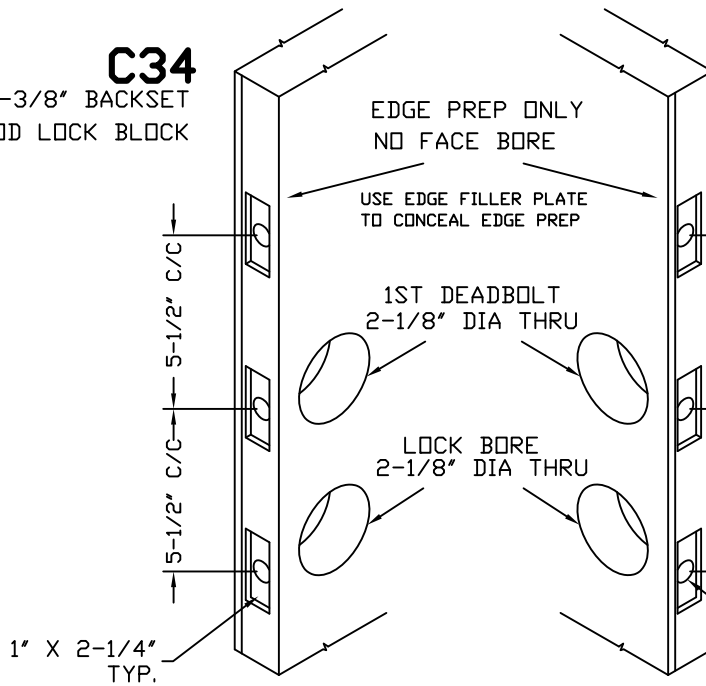
C29RH
 2-3/4" BACKSET
 WOOD LOCK BLOCK
 RIGHT HAND



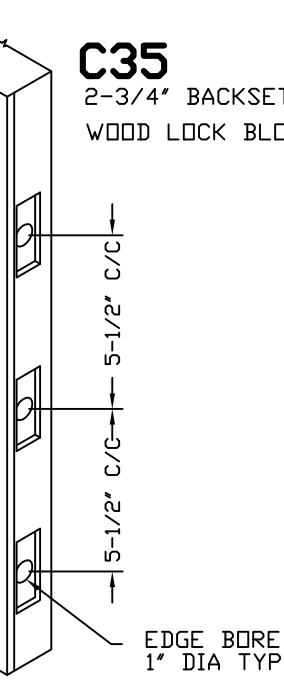
TRIPLE EDGE PREP
 FOR STEEL DOORS

DWG#	II-37
DATE	10-30-06
NAME	MJP
SECTION	II
PAGE	37

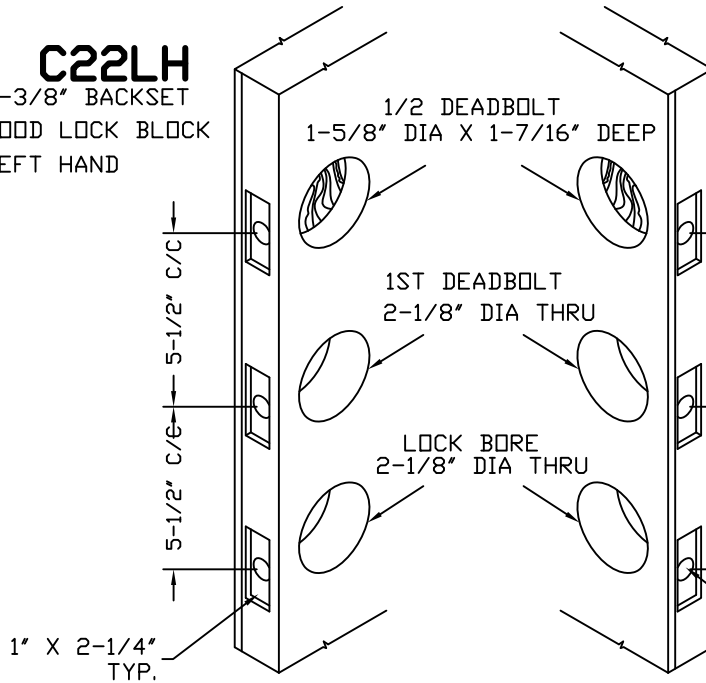
C34
2-3/8" BACKSET
WOOD LOCK BLOCK



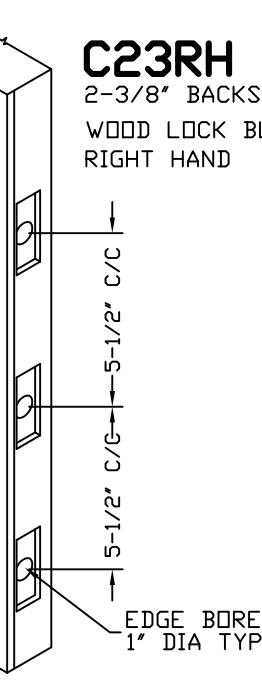
C35
2-3/4" BACKSET
WOOD LOCK BLOCK



C22LH
2-3/8" BACKSET
WOOD LOCK BLOCK
LEFT HAND



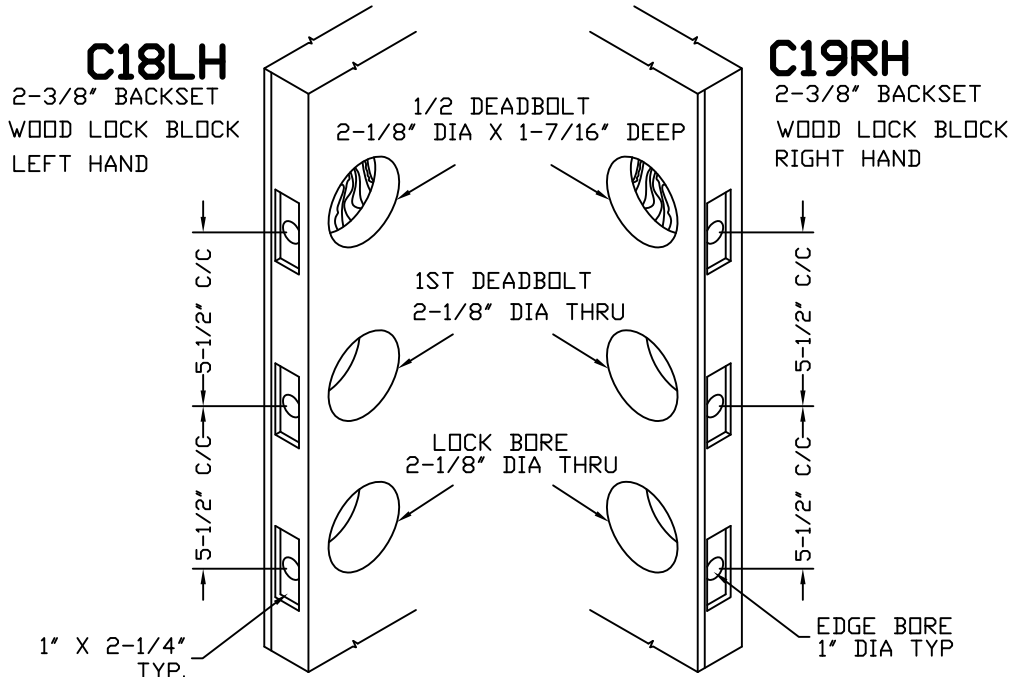
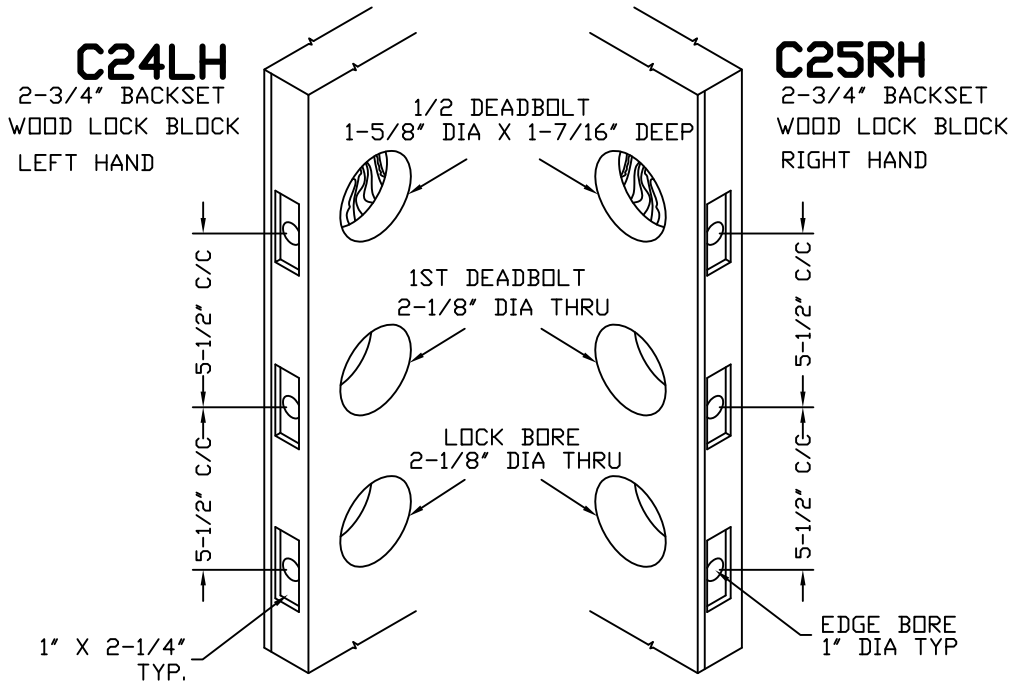
C23RH
2-3/8" BACKSET
WOOD LOCK BLOCK
RIGHT HAND



AMERICA'S DOORMAKER

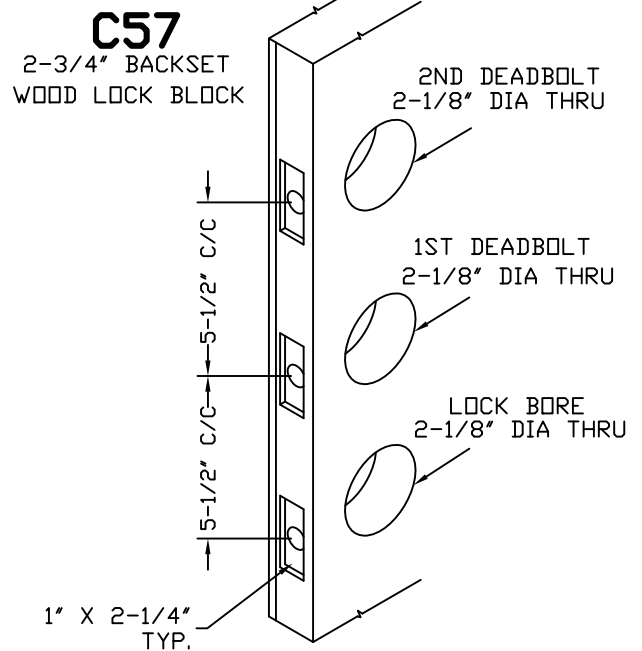
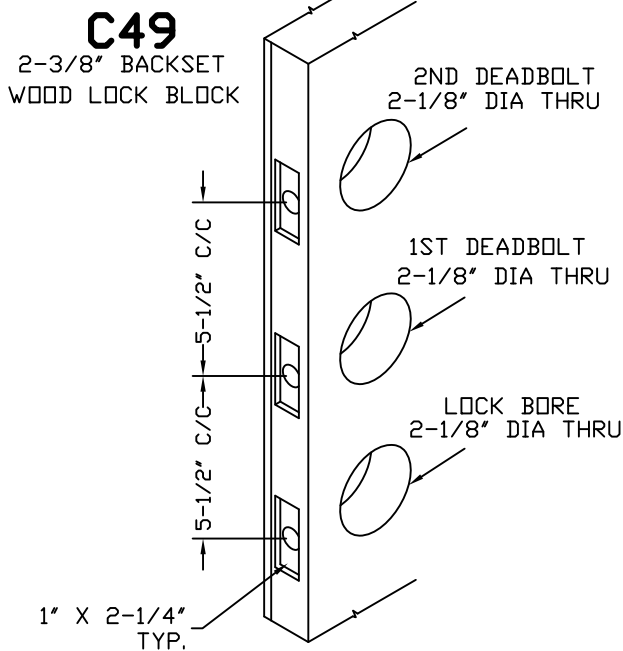
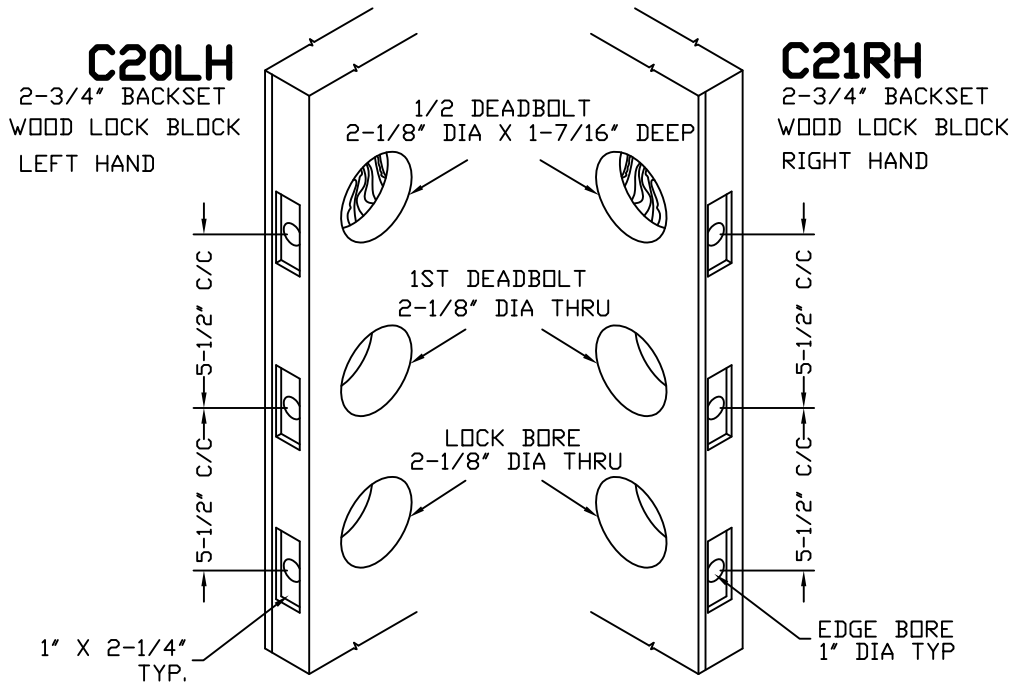
TRIPLE EDGE PREP
FOR STEEL DOORS

DWG#	II-38
DATE	10-30-06
NAME	MJP
SECTION	II
PAGE	38

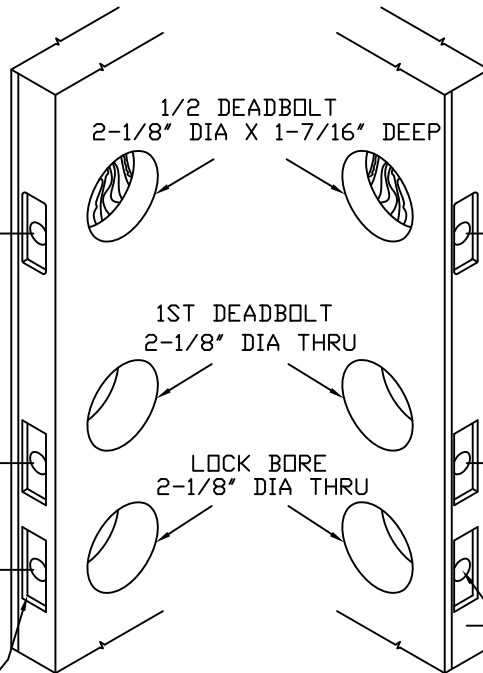


TRIPLE EDGE PREP
FOR STEEL DOORS

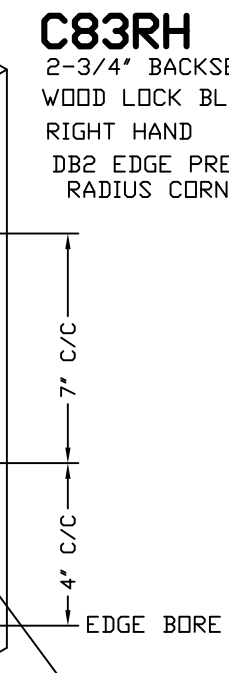
DWG#	II-39
DATE	1-19-05
NAME	MJP
SECTION	II
PAGE	39



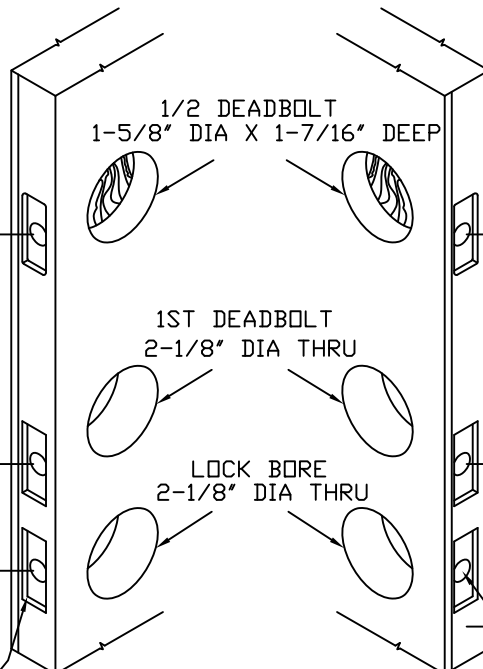
C82LH
 2-3/4" BACKSET
 WOOD LOCK BLOCK
 LEFT HAND
 DB2 EDGE PREP WILL HAVE
 RADIUS CORNERS



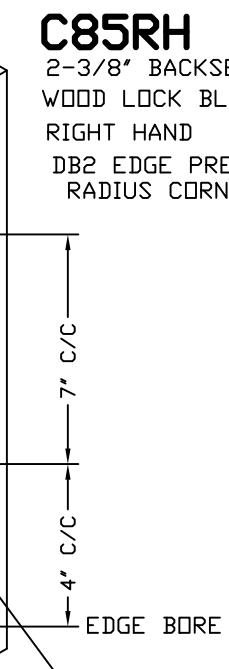
C83RH
 2-3/4" BACKSET
 WOOD LOCK BLOCK
 RIGHT HAND
 DB2 EDGE PREP WILL HAVE
 RADIUS CORNERS



C84LH
 2-3/8" BACKSET
 WOOD LOCK BLOCK
 LEFT HAND
 DB2 EDGE PREP WILL HAVE
 RADIUS CORNERS



C85RH
 2-3/8" BACKSET
 WOOD LOCK BLOCK
 RIGHT HAND
 DB2 EDGE PREP WILL HAVE
 RADIUS CORNERS



AMERICA'S DOORMAKER

TRIPLE EDGE PREP
 FOR STEEL DOORS

DWG#	II40B
DATE	06/03/2020
NAME	MGB
SECTION	II
PAGE	40B