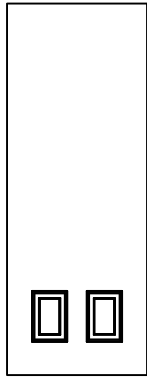


NOTE:  
 SEE DOOR AVAILABILITY SHEET  
 FOR DOOR SIZE AVAILABILITY PER EMBOSSEMENT

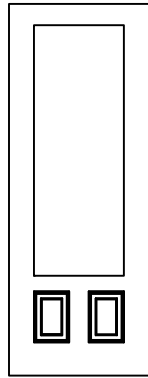


## DOOR CUTOUT OPTIONS PER EMBOSSEMENT

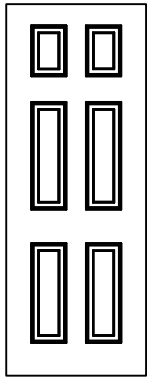
DWG#	II-21
DATE	5-27-11
NAME	KRB
SECTION	II
PAGE	21



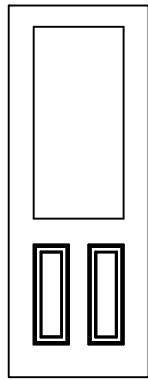
8'0" 2 PANEL



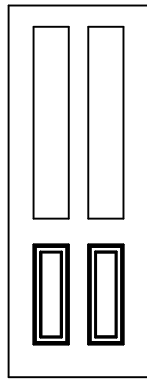
LT20



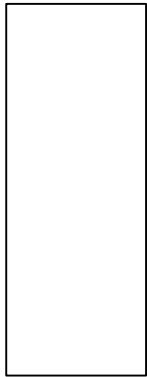
8'0" 6 PANEL



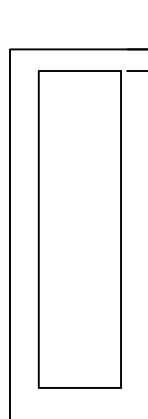
LT19



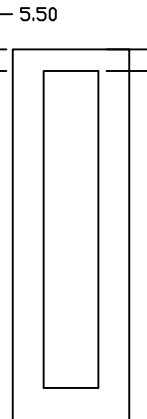
LT88



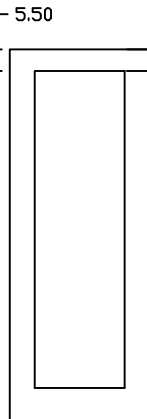
8'0" FLUSH



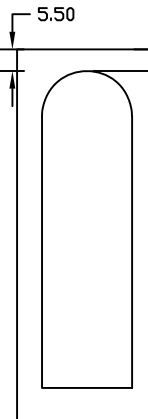
LT26



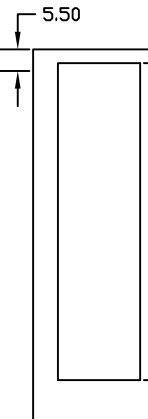
LT22



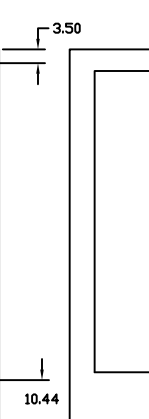
LT21



LT23



LT45



LT109

5.50

5.50

5.50

5.50

3.50

5.50

10.44

12.44

REF

NOTE:  
SEE DOOR AVAILABILITY SHEET  
FOR DOOR SIZE AVAILABILITY PER EMBOSSMENT

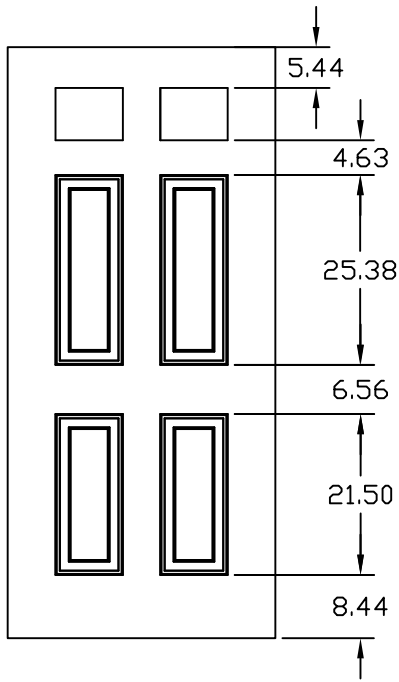


AMERICA'S DOORMAKER

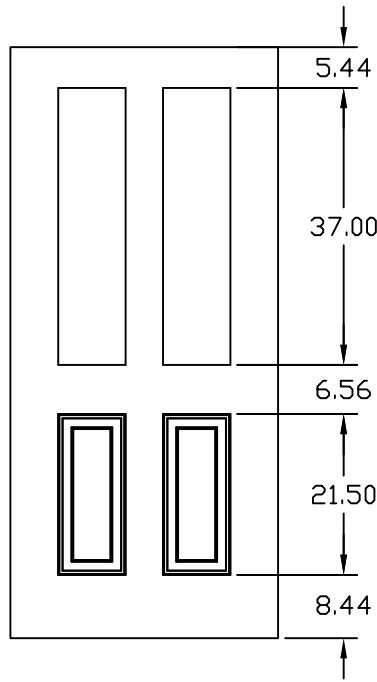
8'0" DOOR CUTOUT OPTIONS  
PER EMBOSSMENT

DWG#	II-21A
DATE	1-30-20
NAME	KRB
SECTION	II
PAGE	21A

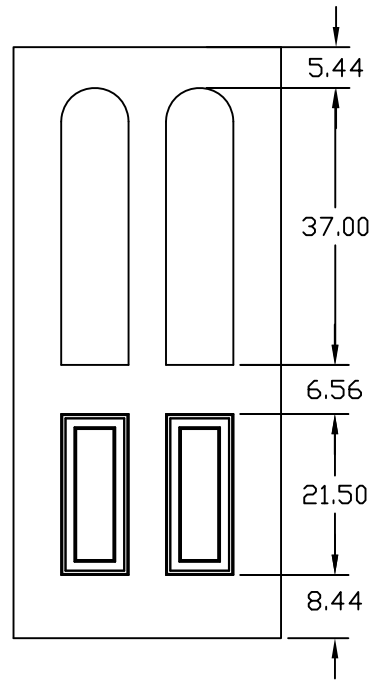
NOTE: ALL DIMENSIONS FOR  
6'8" X 3'0" DOOR



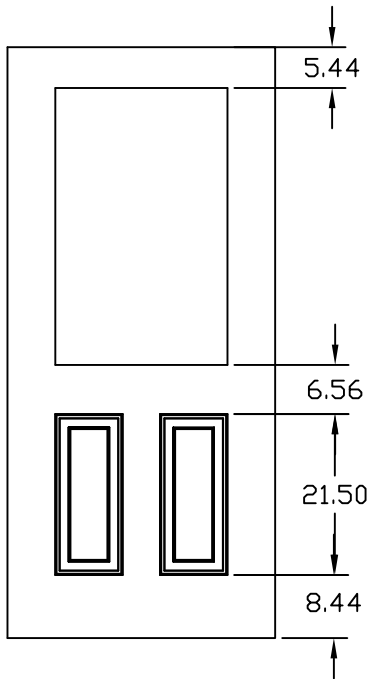
LT1  
GLASS-8"X6"  
CUTOUT-9"X7"



LT2  
GLASS-8"X36"  
CUTOUT-9"X37"

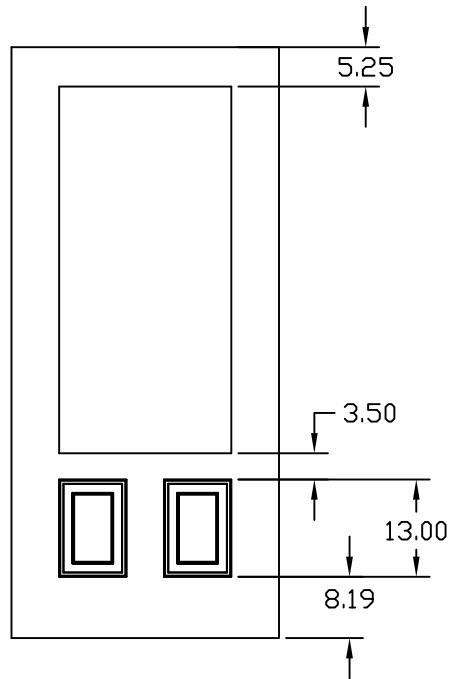


LT3  
GLASS-8"X36" RT  
CUTOUT-9"X37" RT



LT4  
GLASS-22"X36"  
CUTOUT-23"X37"

LT5  
DOOR WIDTH-2'5",2'6",2'7"  
GLASS-20"X36"  
CUTOUT-21"X37"



LT6  
GLASS-22"X48"  
CUTOUT-23"X49"

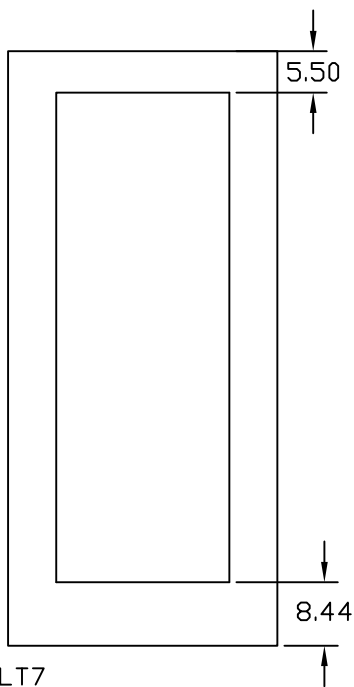
NOTE: FOR 7'0" DOORS, THE EXTRA  
HEIGHT IS DIVIDED EQUALLY  
BETWEEN THE TOP AND BOTTOM  
EMBOSSMENT LOCATION



UP TO 7'0" DOOR HEIGHT  
LITE CUTOUT DIMENSIONAL DETAIL

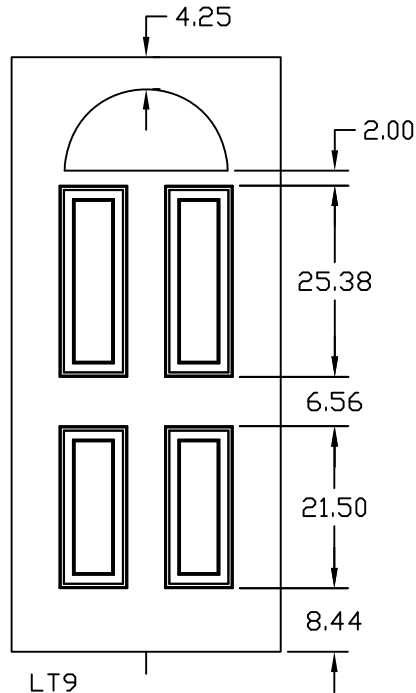
DWG#	II-22
DATE	4-08-05
NAME	MJP
SECTION	II
PAGE	22

NOTE: ALL DIMENSIONS FOR

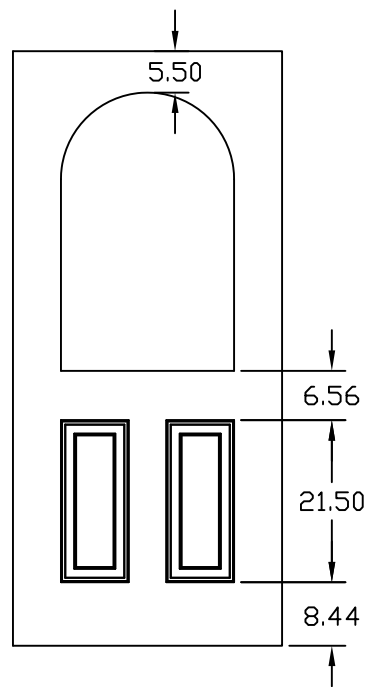


LT7  
GLASS-22"X64"  
CUTOUT-23"X65"

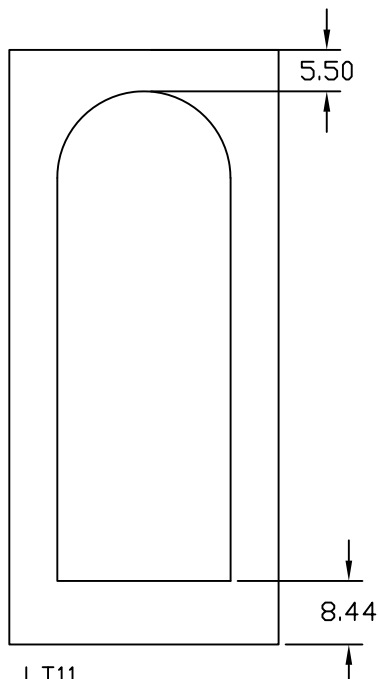
LT8  
DOOR WIDTH-2'5",2'6",2'7"  
GLASS-20"X64"  
CUTOUT-21"X65"



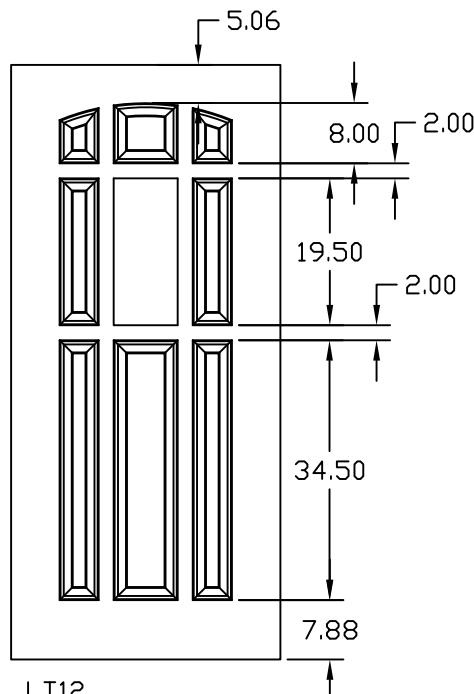
LT9  
GLASS-21-13/16"  
X9-13/16"  
CUTOUT-22-13/16"  
X10-13/16"



LT10  
GLASS-22"X36" RT  
CUTOUT-23"X37" RT



LT11  
GLASS-22"X64" RT  
CUTOUT-23"X65" RT



LT12  
GLASS-7-1/2"X18-1/2"  
CUTOUT-8-1/2"X19-1/2"

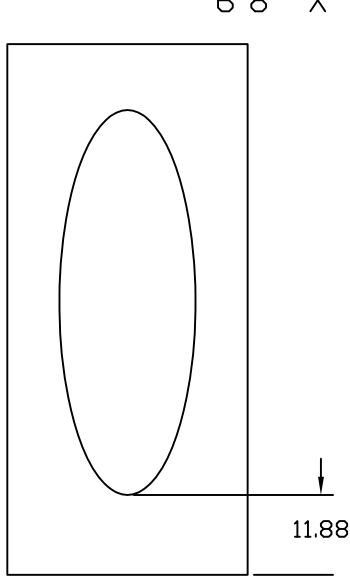
NOTE: FOR 7'0" DOORS, THE EXTRA HEIGHT IS DIVIDED EQUALLY BETWEEN THE TOP AND BOTTOM EMBOSMENT LOCATION



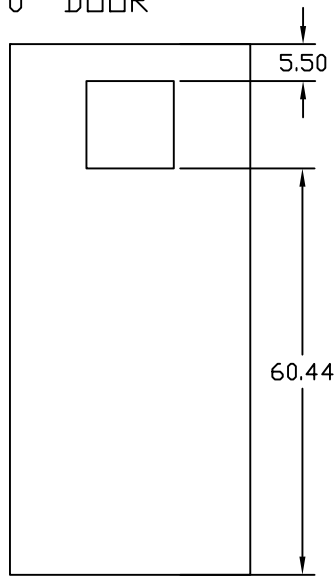
UP TO 7'0" DOOR HEIGHT  
LITE CUTOUT DIMENSIONAL DETAIL

DWG#	II-23
DATE	4-3-19
NAME	MJP
SECTION	II
PAGE	23

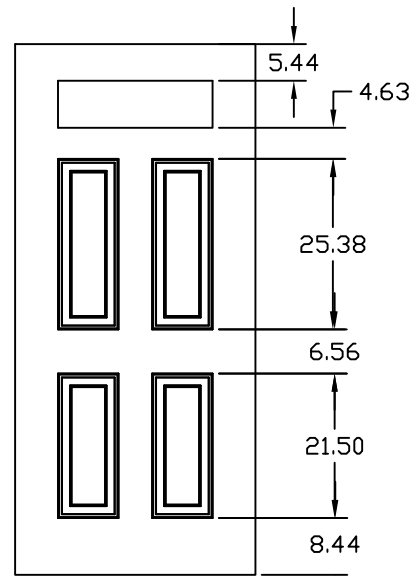
NOTE: ALL DIMENSIONS FOR  
6'8" X 3'0" DOOR



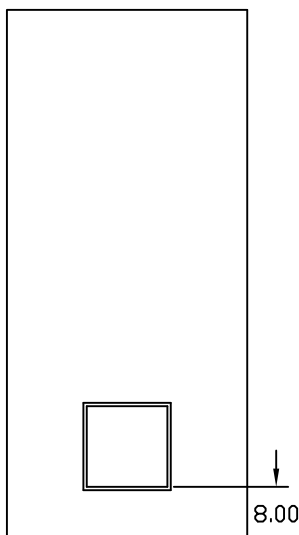
LT13  
GLASS-19-1/4"X56-1/4"  
CUTOUT-20-1/4"X57-1/4"



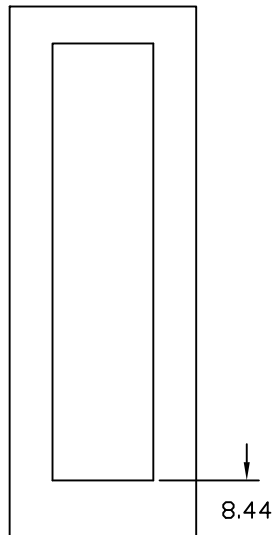
LT24  
GLASS-12"X12"  
CUTOUT-13"X13"  
LT25  
DIAMOND STYLE  
LT14  
GLASS-16"X16"  
CUTOUT-17"X17"  
LT15  
DIAMOND STYLE



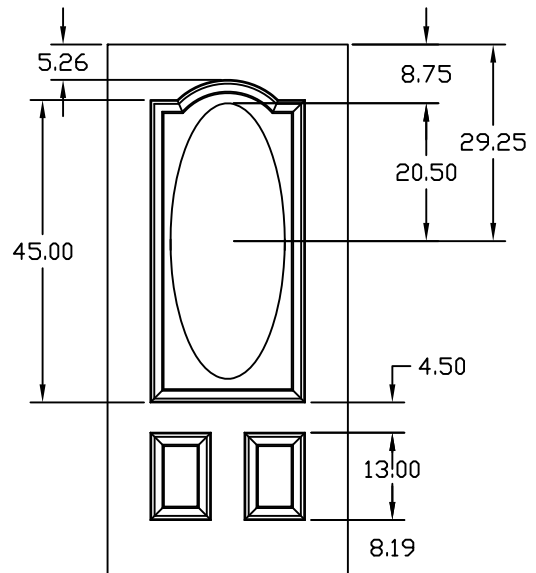
LT16  
GLASS-22"X6"  
CUTOUT-23"X7"



LT29  
CUTOUT-12"X12"  
LOUVER



LT17  
DOOR WIDTH 2'0" & 2'4"  
GLASS-14"X64"  
CUTOUT-15"X65"



LT18  
GLASS- 15-1/2" X 39-3/8"  
CUTOUT- 17" X 41"  
NOTE: ODL GLASS/FRAME SIZE

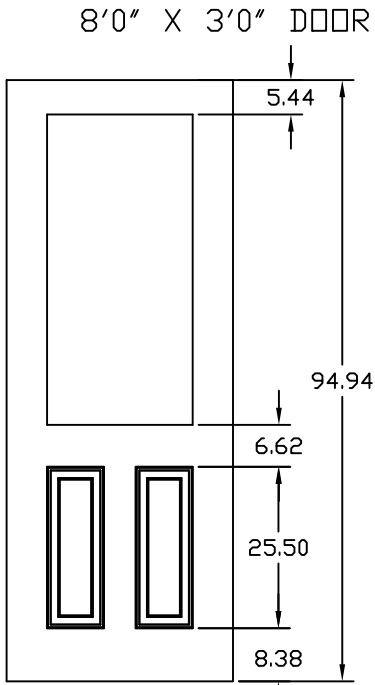
NOTE: FOR 7'0" DOORS, THE EXTRA  
HEIGHT IS DIVIDED EQUALLY  
BETWEEN THE TOP AND BOTTOM  
EMBOSSMENT LOCATION



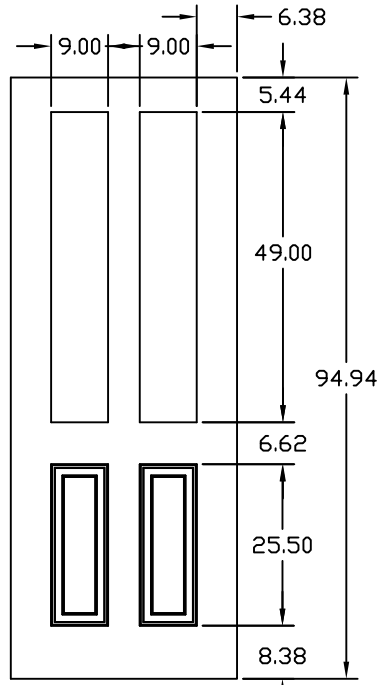
STEEL ENTRY DOORS  
UP TO 7'0" DOOR HEIGHT  
LITE CUTOUT DIMENSIONAL DETAIL

DWG#	II-24
DATE	5-27-11
NAME	KRB
SECTION	II
PAGE	24

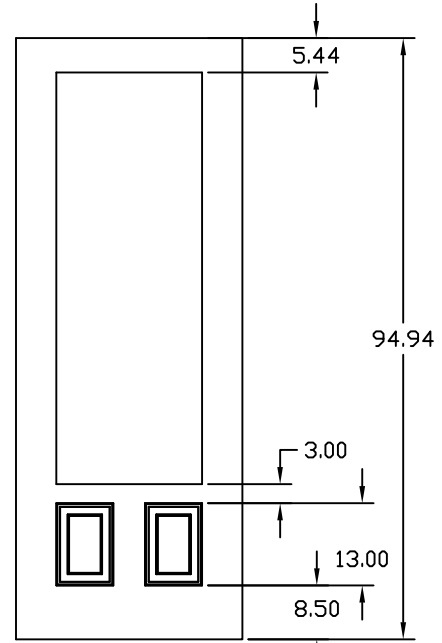
NOTE: ALL DIMENSIONS FOR  
8'0" X 3'0" DOOR



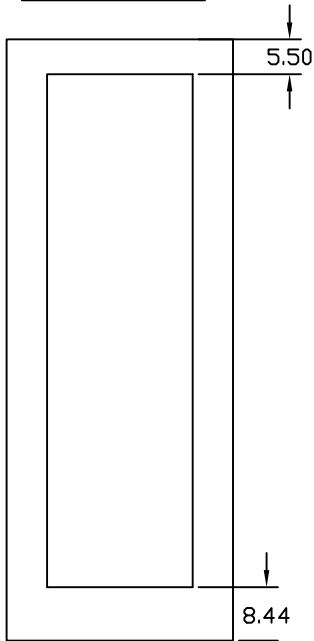
LT19  
GLASS-22"X48"  
CUTOUT-23"X49"



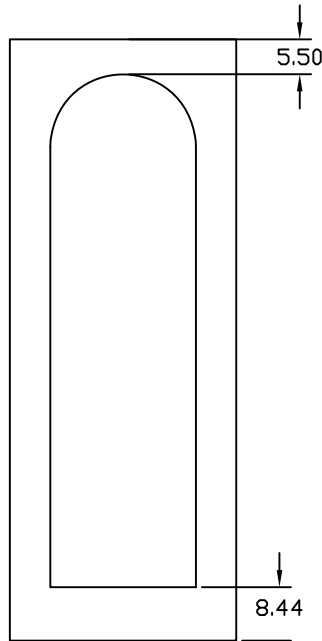
LT88  
GLASS- (2) 8"X48"  
CUTOUT- (2) 9"X49"



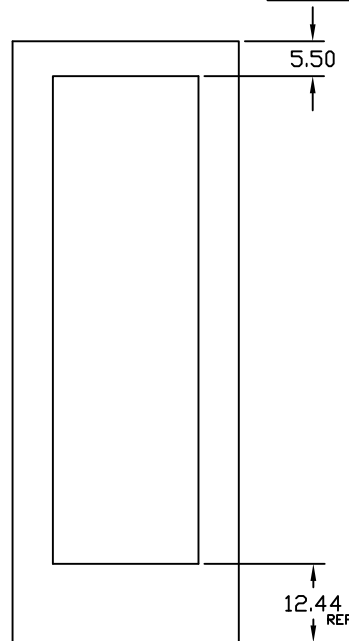
LT20  
GLASS-22"X64"  
CUTOUT-23"X65"



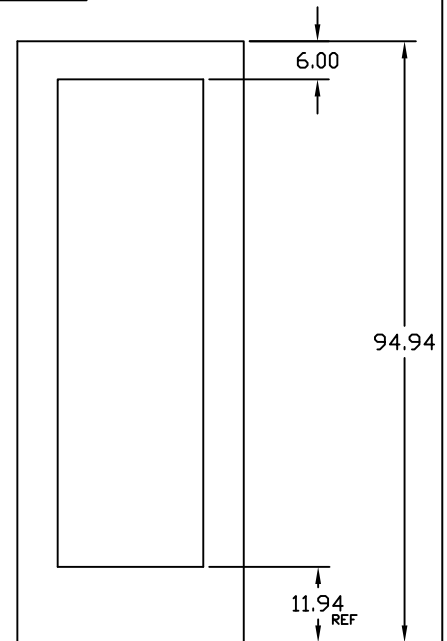
LT26  
GLASS-20"X80"  
CUTOUT-21"X81"



LT23  
GLASS-22"X80" RT  
CUTOUT-23"X81" RT



LT109  
GLASS-22"X76"  
CUTOUT-23"X77"



LT111  
GLASS-22"X76"  
CUTOUT-23"X77"

LT21  
GLASS-22"X80"  
CUTOUT-23"X81"

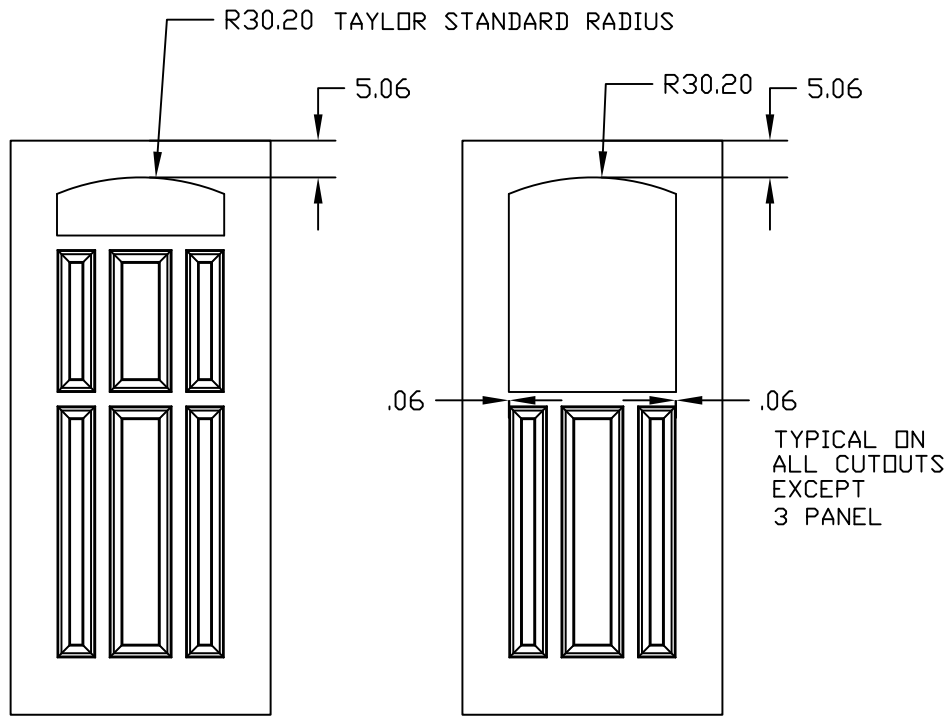
LT22  
DOOR WIDTH 2'0" & 2'4"  
GLASS-14"X80"  
CUTOUT-15"X81"



AMERICA'S DOORMAKER

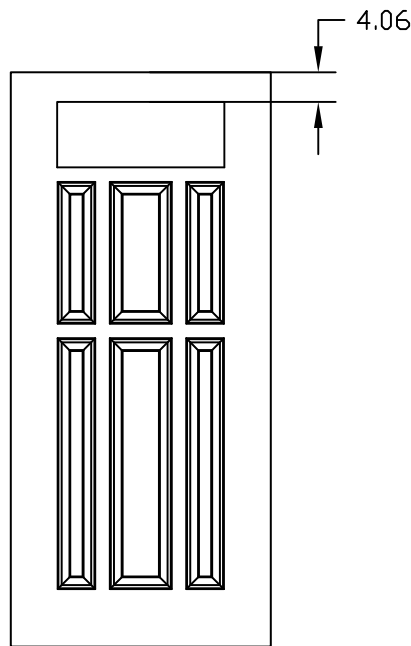
8'0" DOOR HEIGHT  
LITE CUTOUT DIMENSIONAL DETAIL

DWG#	II-25
DATE	11-23-20
NAME	KRB
SECTION	II
PAGE	25

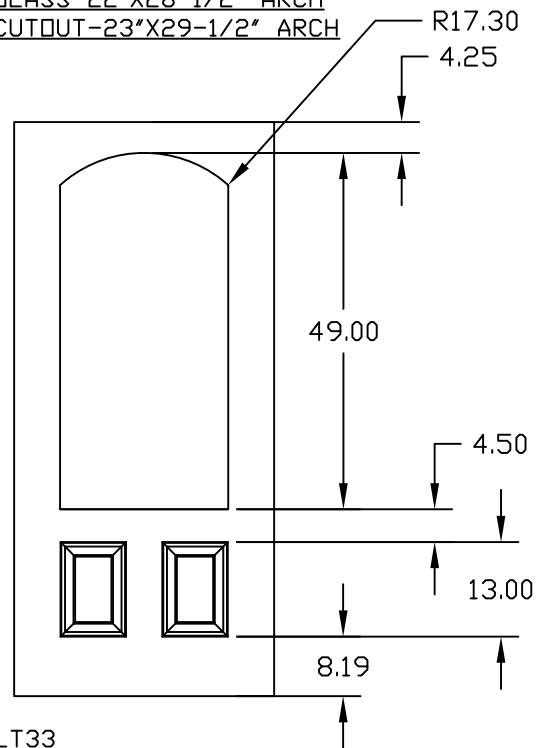


LT30  
GLASS-22"x7" ARCH  
CUTOUT-23"x8" ARCH

LT31  
GLASS-22"x28-1/2" ARCH  
CUTOUT-23"x29-1/2" ARCH



LT32  
GLASS-22"x8"  
CUTOUT-23"x9"



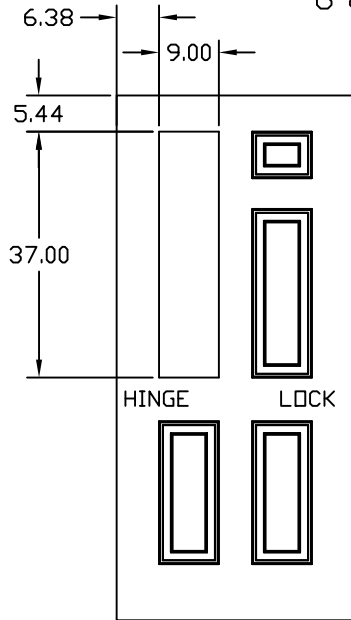
LT33  
GLASS-22"x48" ARCH  
CUTOUT-23"x49" ARCH



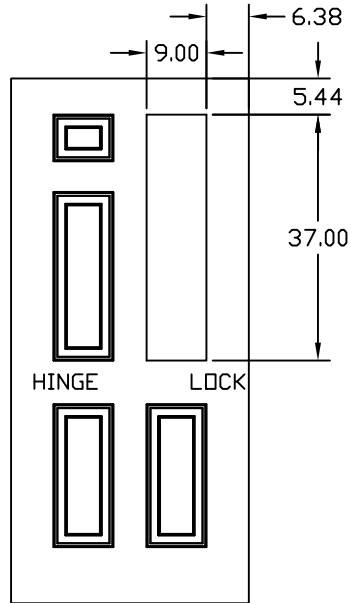
6'8" DOOR HEIGHT  
NEW CUTOUT OPTIONS

DWG#	II-26
DATE	1-18-05
NAME	MJP
SECTION	II
PAGE	26

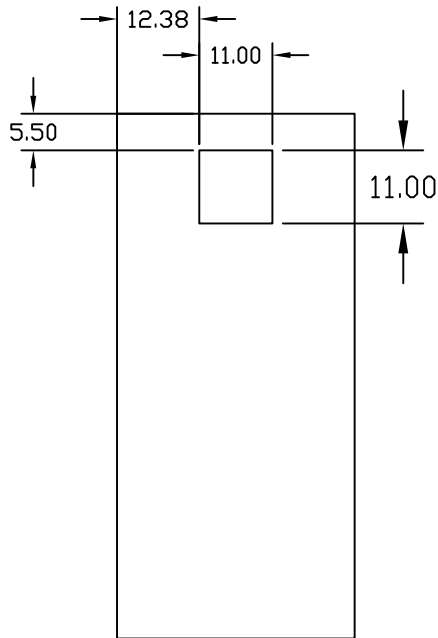
NOTE: ALL DIMENSIONS FOR  
6'8" X 3'0" DOOR



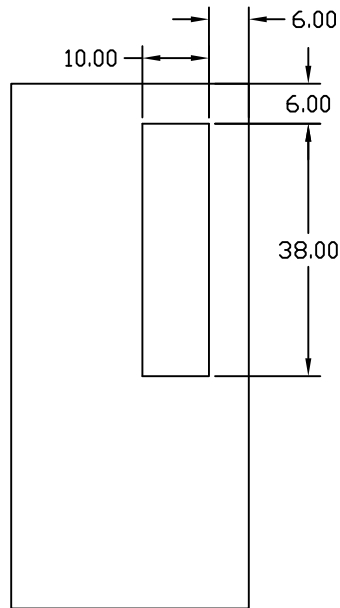
LT35  
GLASS-8'X36'  
CUTOUT-9'X37'



LT36  
GLASS-8'X36'  
CUTOUT-9'X37'



LT37  
GLASS-10'X10'  
CUTOUT-11'X11'



LT38  
GLASS-9'X37'  
CUTOUT-10'X38'

NOTE: FOR 7'0" DOORS, THE EXTRA HEIGHT IS DIVIDED EQUALLY BETWEEN THE TOP AND BOTTOM EMBOSSEMENT LOCATION

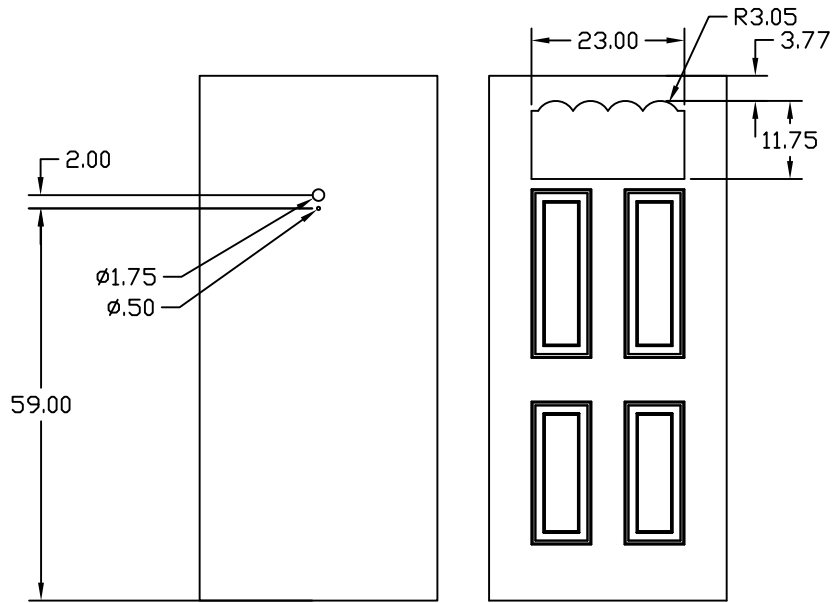


UP TO 7'0" DOOR HEIGHT  
LITE CUTOUT DIMENSIONAL DETAIL

DWG#	II-26A
DATE	4-08-05
NAME	MJP
SECTION	II
PAGE	26

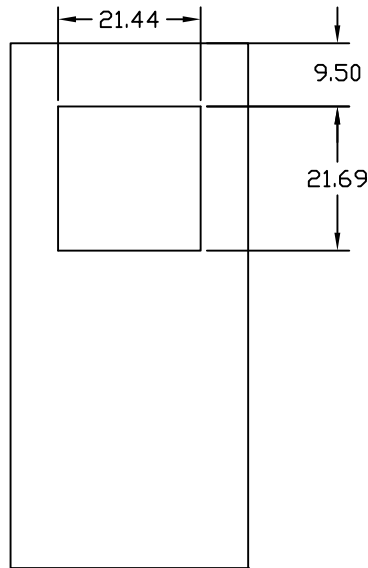


NOTE: ALL DIMENSIONS FOR  
6'8" X 3'0" DOOR



LT27  
DOOR CHIME PREP

LT28  
GLASS-21"X9"  
CUTOUT-22"X10"



LT39  
GLASS-20-7/16" X 20-11/16"  
CUTOUT-21-7/16" X21-11/16"

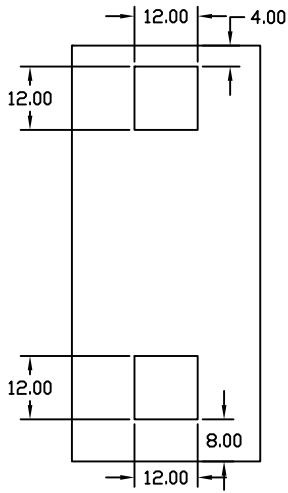
NOTE: FOR 7'0" DOORS, THE EXTRA  
HEIGHT IS DIVIDED EQUALLY  
BETWEEN THE TOP AND BOTTOM  
EMBOSSMENT LOCATION



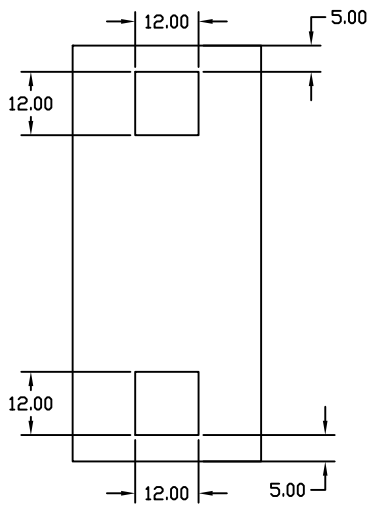
UP TO 7'0" DOOR HEIGHT  
LITE CUTOUT DIMENSIONAL DETAIL

DWG#	II-26B
DATE	12-20-06
NAME	MJP
SECTION	II
PAGE	26B

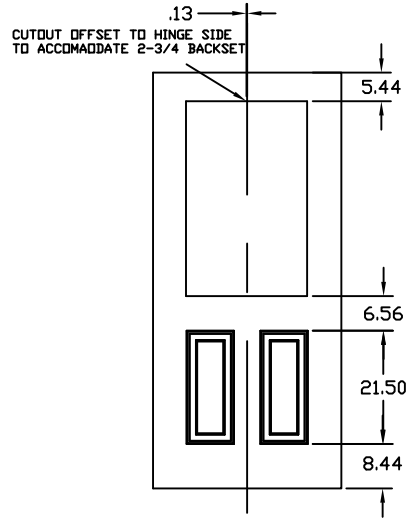
NOTE: ALL DIMENSIONS FOR  
6'8" X 3'0" DOOR



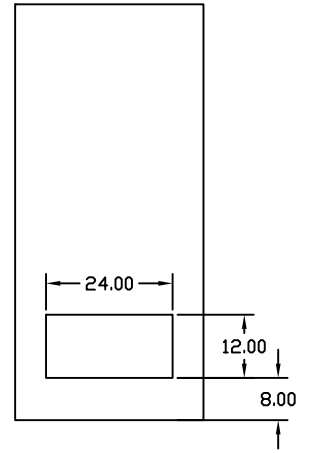
LT40  
CUTOUT-12"x12"



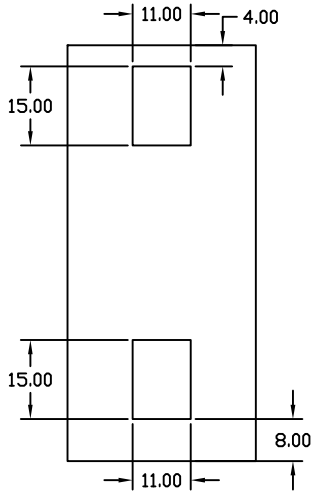
LT41  
CUTOUT-12"x12"



LT42  
GLASS-22"x36"  
CUTOUT-23"x37"



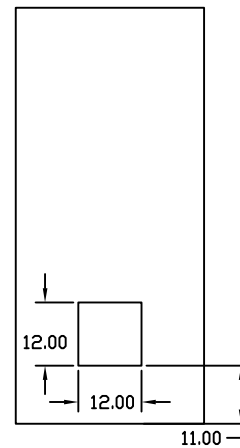
LT43  
CUTOUT-12"x24"



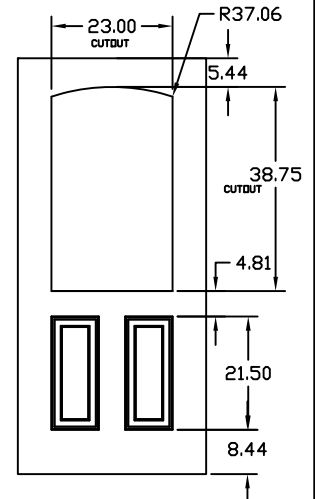
LT44  
CUTOUT-11"x15"

LT45=8'0"

LT 46=N/A



LT47  
CUTOUT-12"x12"



LT48  
GLASS-22"x37-3/4"  
CUTOUT-23"x38-3/4"  
MD FRAME/2P ARCH

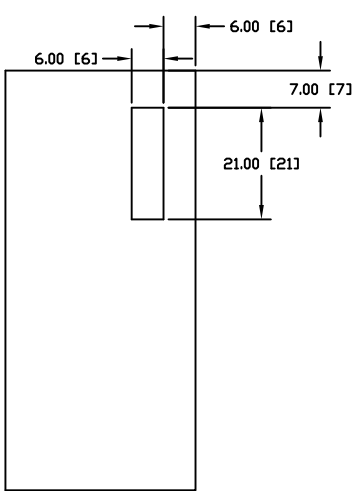
NOTE: FOR 7'0" DOORS, THE EXTRA  
HEIGHT IS DIVIDED EQUALLY  
BETWEEN THE TOP AND BOTTOM  
EMBOSSMENT LOCATION



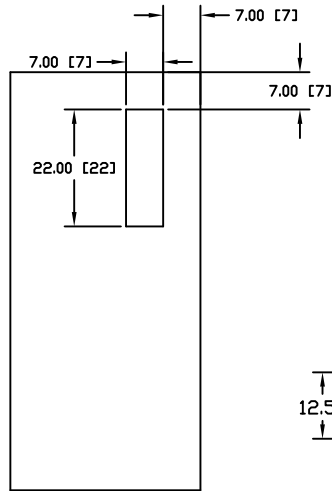
UP TO 7'0" DOOR HEIGHT  
LITE CUTOUT DIMENSIONAL DETAIL

DWG#	II-26C
DATE	9-17-07
NAME	MJP
SECTION	II
PAGE	26C

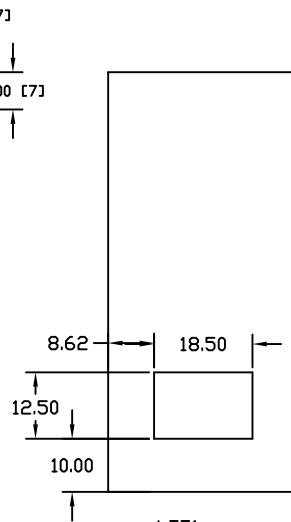
NOTE: ALL DIMENSIONS FOR  
6'8" X 3'0" DOOR



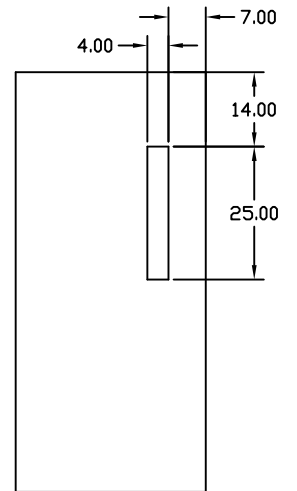
**LT49**  
GLASS-5' X 20'  
CUTOUT-6 X 21'



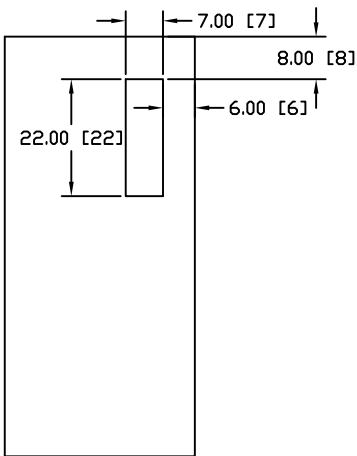
**LT50**  
GLASS-6' X 21'  
CUTOUT-7' X 22'



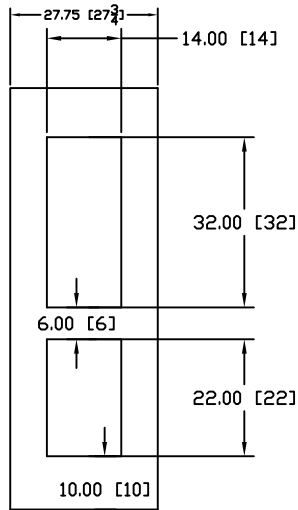
**LT51**  
GLASS-11-1/4' X 17-1/4'  
CUTOUT-12-1/2 X 18-1/2'



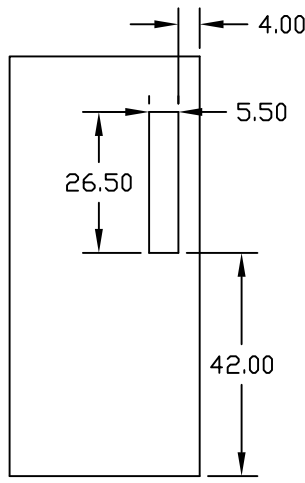
**LT52**  
GLASS-3' X 24'  
CUTOUT-4 X 25'



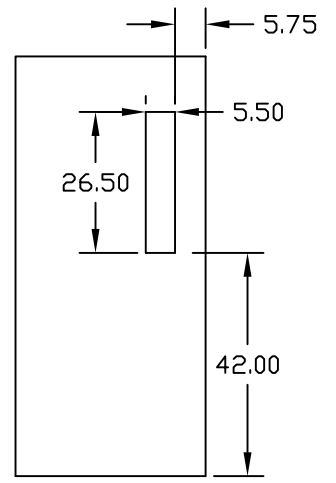
**LT55**  
GLASS-6 X 21'  
CUTOUT-7X 22'



**LT56**  
CUTOUT- 14' X 32" TOP  
CUTOUT- 14' X 22" BTM



**LT57**  
CUTOUT-5.5'X 26.5'



**LT58**  
CUTOUT-5.5'X 26.5'

**LT53**  
PENDING DCR

**LT54**  
PENDING DCR

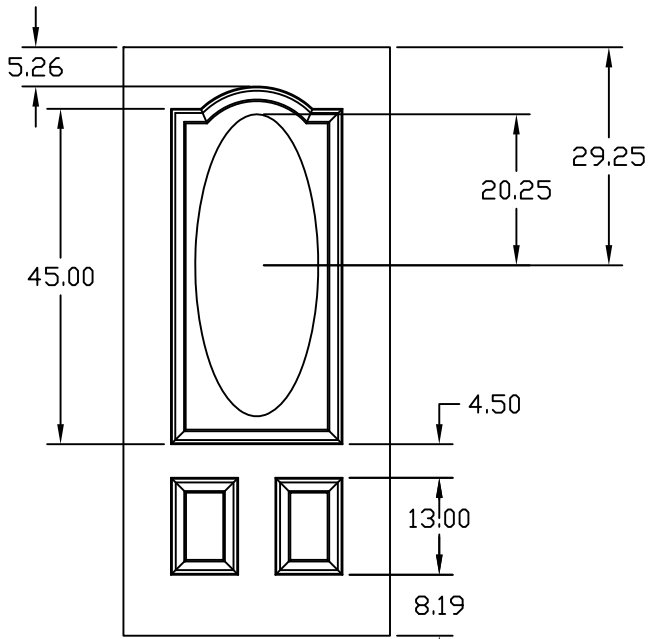
NOTE: FOR 7'0" DOORS, THE EXTRA  
HEIGHT IS DIVIDED EQUALLY  
BETWEEN THE TOP AND BOTTOM  
EMBOSSMENT LOCATION



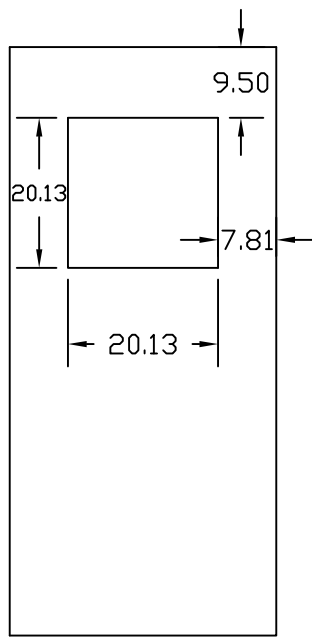
UP TO 7'0" DOOR HEIGHT  
LITE CUTOUT DIMENSIONAL DETAIL

DWG#	II-26D
DATE	9-01-08
NAME	MJP
SECTION	II
PAGE	26D

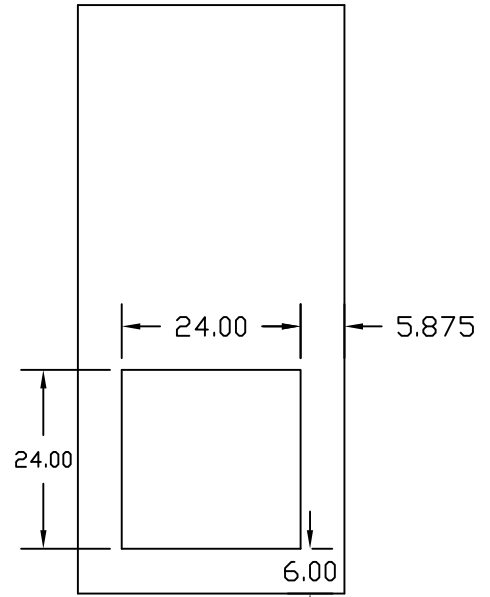
NOTE: ALL DIMENSIONS FOR  
6'8" X 3'0" DOOR



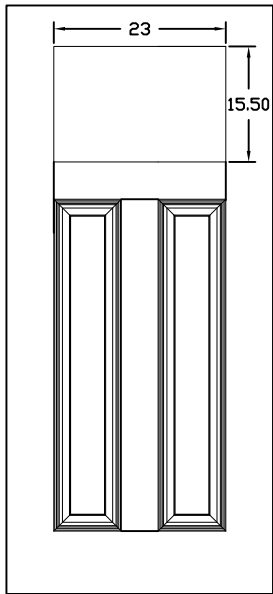
LT59  
GLASS-15-1/2" X 39-1/2"  
CUTOUT-16-1/2" X 40-1/2"  
NOTE: PREMIUM GLASS SIZE



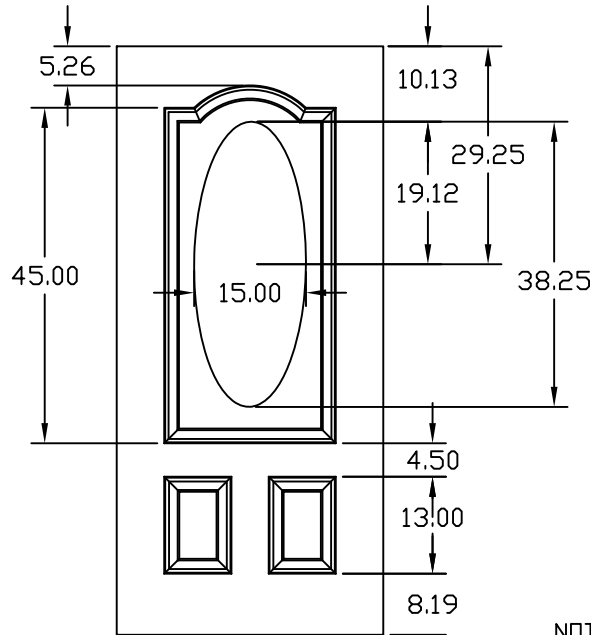
LT60  
CUTOUT- 20 1/8" X 20 1/8"



LT61  
CUTOUT- 24" X 24"



LT62  
CUTOUT- 23" X 15.5"



LT63  
GLASS- 14" X 37-1/4"  
CUTOUT- 15" X 38 1/4"  
NOTE: APPOLO GLASS/FRAE SIZE

NOTE: FOR 7'0" DOORS, THE EXTRA HEIGHT IS DIVIDED EQUALLY BETWEEN THE TOP AND BOTTOM EMBOSMENT LOCATION

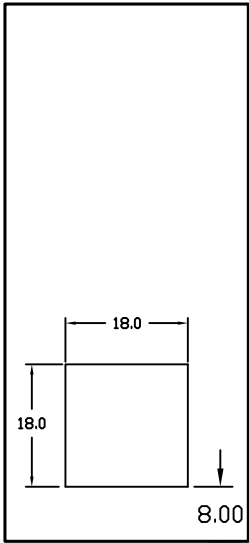


UP TO 7'0" DOOR HEIGHT  
LITE CUTOUT DIMENSIONAL DETAIL

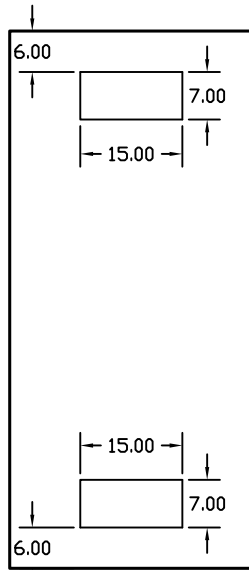
DWG#	II-26E
DATE	5-27-11
NAME	KRB
SECTION	II
PAGE	26E

NOTE: ALL DIMENSIONS FOR  
6'8" X 3'0" DOOR

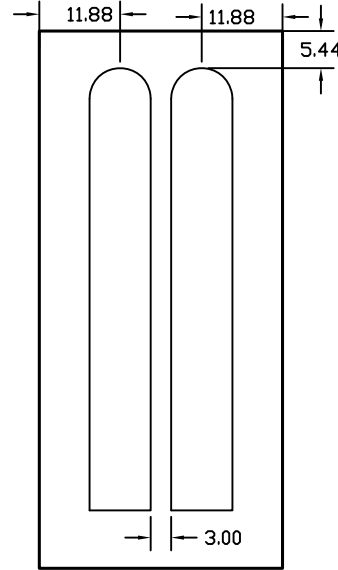
NOTE: FOR 7'0" DOORS, THE EXTRA  
HEIGHT IS DIVIDED EQUALLY  
BETWEEN THE TOP AND BOTTOM  
EMBOSSMENT LOCATION



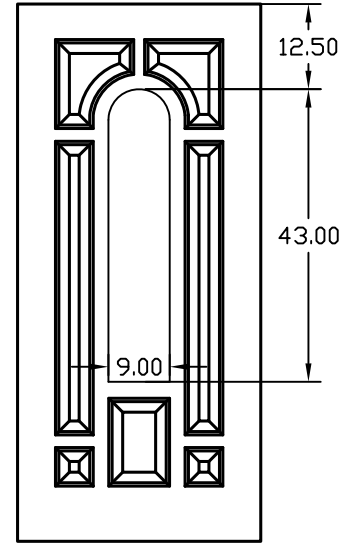
**LT64**  
LOUVER  
CUTOUT-18"X18"



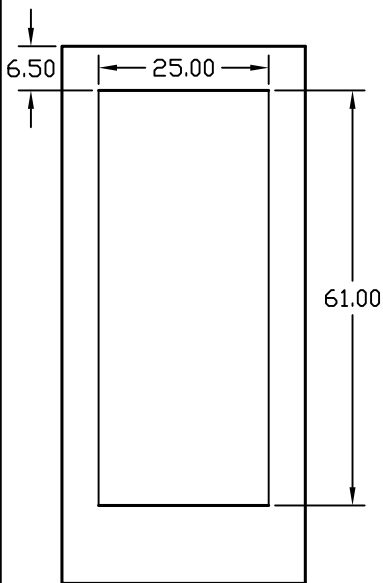
**LT65**  
LOUVER  
CUTOUT-15"X7"



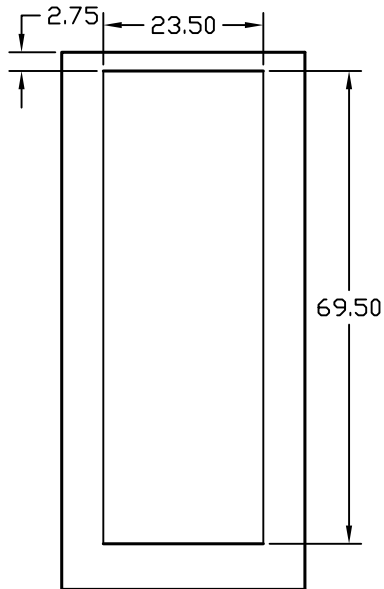
**LT66**  
GLASS-8"X64"  
CUTOUT-9"X65"



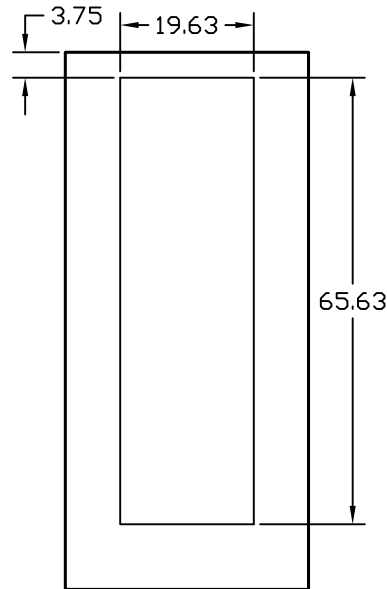
**LT67 - FIBERGLASS ONLY**  
GLASS-8"X42"  
CUTOUT-9"X43"



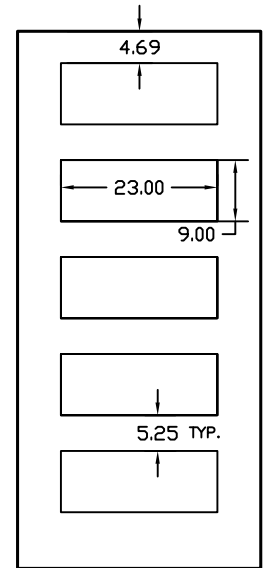
**LT68**  
GLASS-24"X60"  
CUTOUT-25"X61"



**LT69**  
GLASS-22 1/2"X68 1/2"  
CUTOUT-23 1/2"X69 1/2"



**LT70**  
GLASS-18 5/8"X64 5/8"  
CUTOUT-19 5/8"X65 5/8"



**LT71**  
GLASS-8"X22"  
CUTOUT-9"X23"



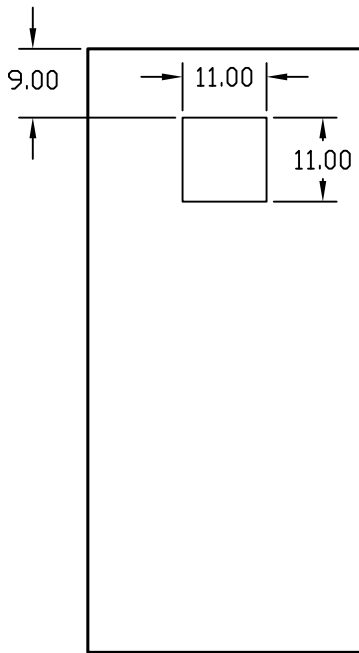
AMERICA'S DOORMAKER

UP TO 7'0" DOOR HEIGHT  
LITE CUTOUT DIMENSIONAL DETAIL

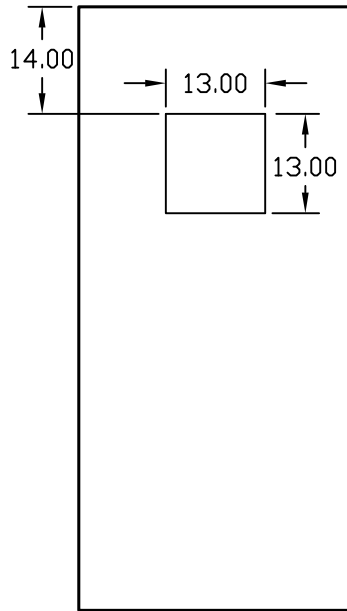
DWG#	II-26F
DATE	6-4-12
NAME	KRB
SECTION	II
PAGE	26F

NOTE: ALL DIMENSIONS FOR  
6'8" X 3'0" DOOR

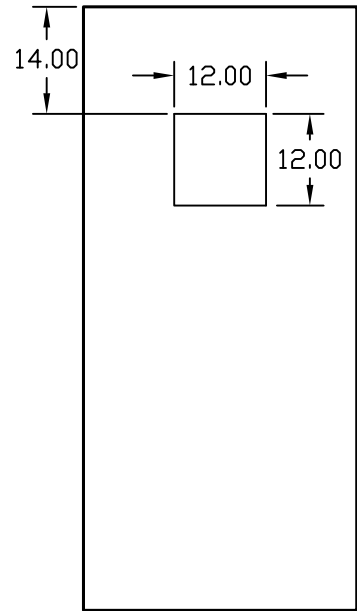
NOTE: FOR 7'0" DOORS, THE EXTRA  
HEIGHT IS DIVIDED EQUALLY  
BETWEEN THE TOP AND BOTTOM  
EMBOSSMENT LOCATION



LT72  
GLASS-10"X10"  
CUTOUT-11"X11"

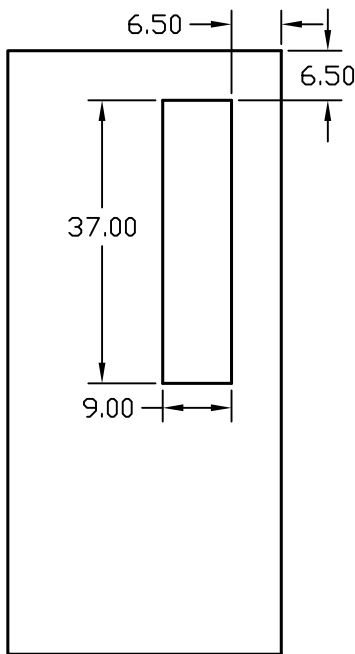


LT73  
GLASS-12"X12"  
CUTOUT-13"X13"

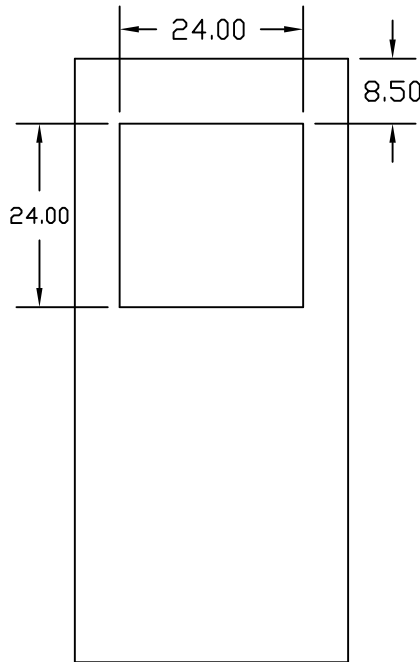


LT74

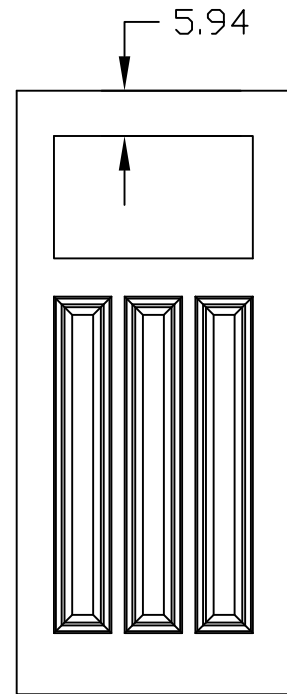
LT75  
GLASS-11"X11"  
CUTOUT-12"X12"



LT76  
GLASS-8"X36"  
CUTOUT-9"X37"



LT77  
CUTOUT- 24" X 24"



LT78  
GLASS-15"X25"  
CUTOUT-16"X26"

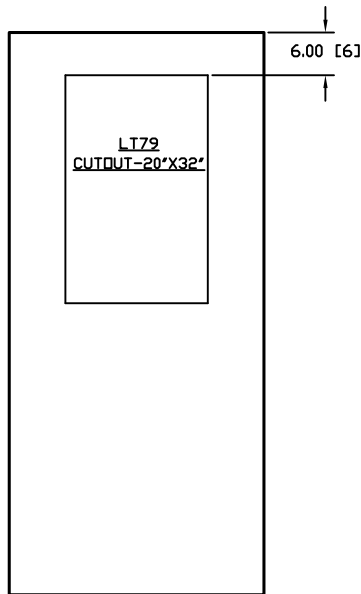


UP TO 7'0" DOOR HEIGHT  
LITE CUTOUT DIMENSIONAL  
DETAIL

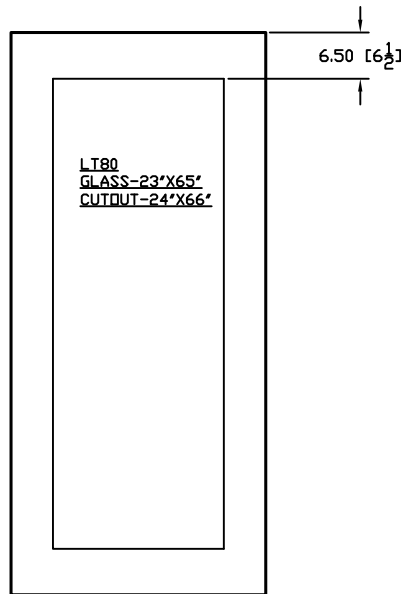
DWG#	II-26G
DATE	6-17-13
NAME	KRB
SECTION	II
PAGE	26G

NOTE: ALL DIMENSIONS FOR  
6'8" X 3'0" DOOR

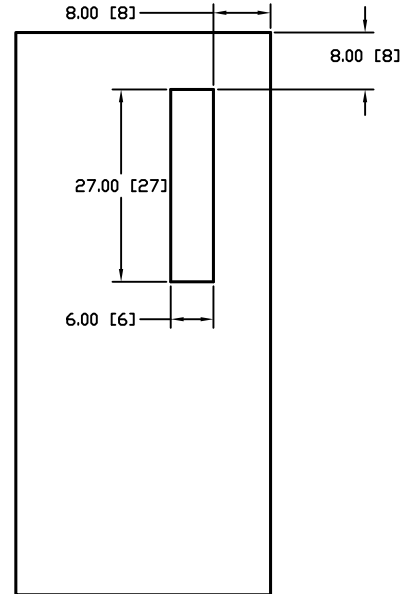
NOTE: FOR 7'0" DOORS, THE EXTRA  
HEIGHT IS DIVIDED EQUALLY  
BETWEEN THE TOP AND BOTTOM  
EMBOSSMENT LOCATION



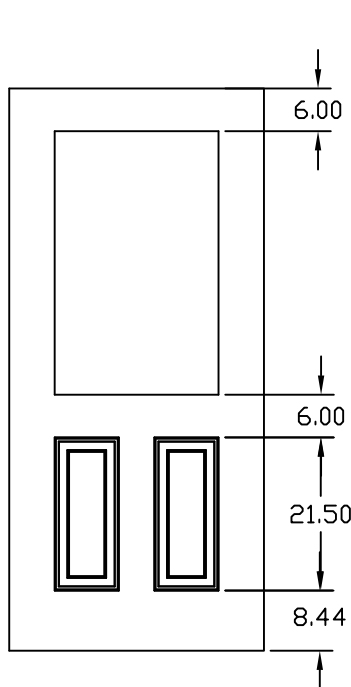
LT79  
CUTOUT-20"X32"



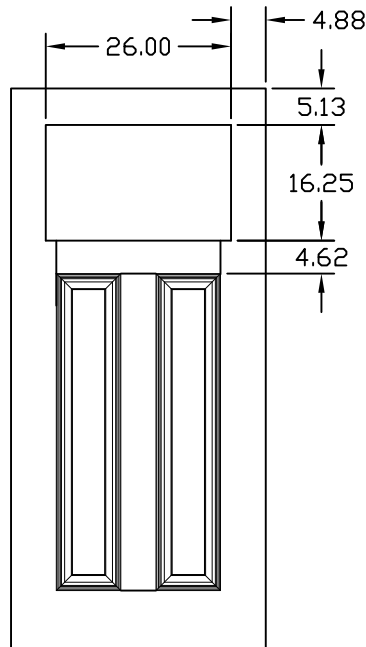
LT80  
GLASS-23"X65"  
CUTOUT-24"X66"



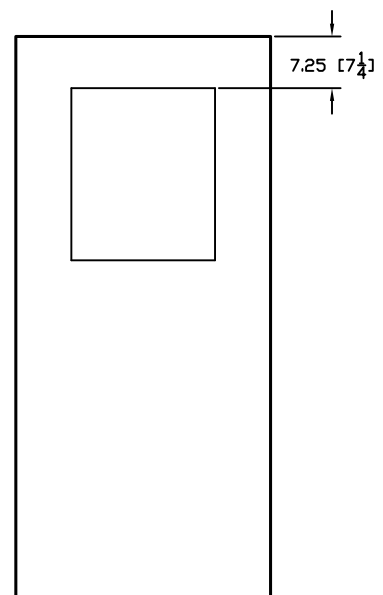
LT81  
CUTOUT-6"X27"



LT82  
GLASS-22"X36"  
CUTOUT-23"X37"



LT83  
GLASS-25"X15.25"  
CUTOUT-26"X16.25"



LT84  
CUTOUT-20 3/16"X24 3/16"

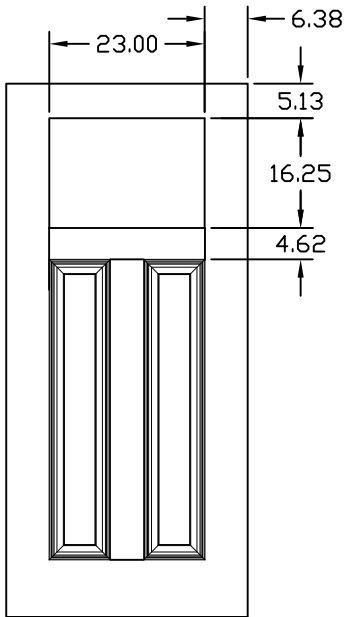


UP TO 7'0" DOOR HEIGHT  
LITE CUTOUT DIMENSIONAL  
DETAIL

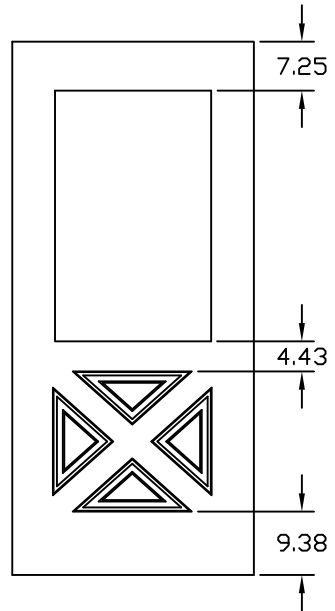
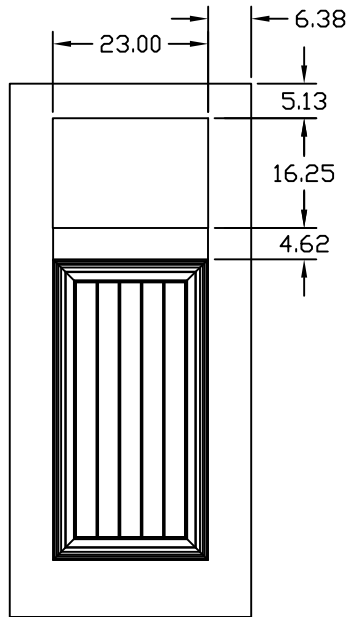
DWG#	II-26H
DATE	2-10-15
NAME	KRB
SECTION	II
PAGE	26H

NOTE: ALL DIMENSIONS FOR  
6'8" X 3'0" DOOR

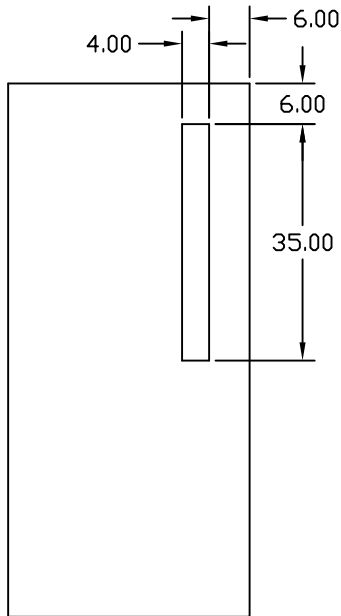
NOTE: FOR 7'0" DOORS, THE EXTRA  
HEIGHT IS DIVIDED EQUALLY  
BETWEEN THE TOP AND BOTTOM  
EMBOSSMENT LOCATION



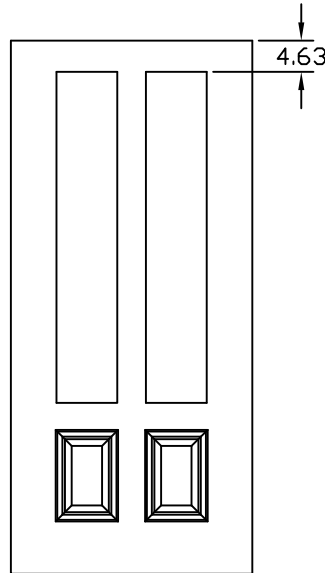
LT85 (DDL GLASS)  
GLASS-22"X15.25"  
CUTOUT-23"X16.25"



LT86  
GLASS-22"X36"  
CUTOUT-23 1/8"X37 1/8"



LT87  
GLASS-3"X34"  
CUTOUT-4"X35"



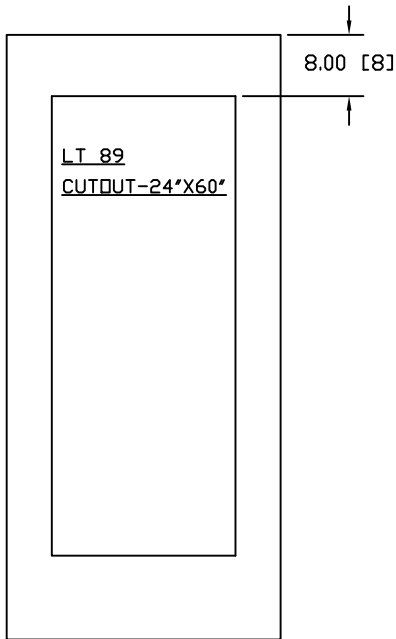
LT88  
GLASS- (2) 8"X48"  
CUTOUT- (2) 9"X49"

LT88  
ALSO 8'0" DOOR OPTION  
PAGE II-25

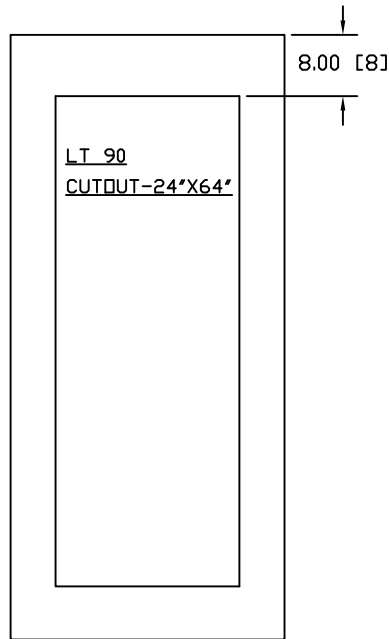


NOTE: ALL DIMENSIONS FOR  
6'8" X 3'0" DOOR

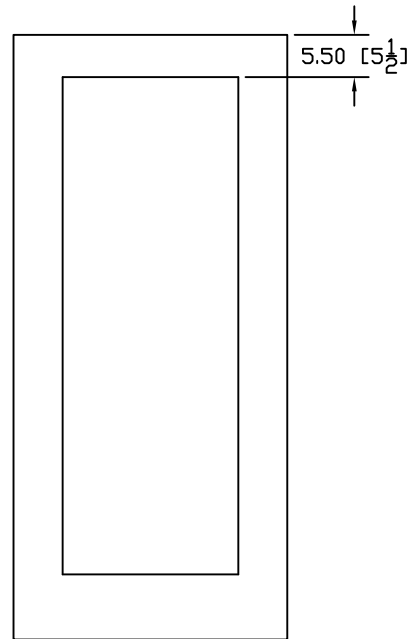
NOTE: FOR 7'0" DOORS, THE EXTRA  
HEIGHT IS DIVIDED EQUALLY  
BETWEEN THE TOP AND BOTTOM  
EMBOSSMENT LOCATION



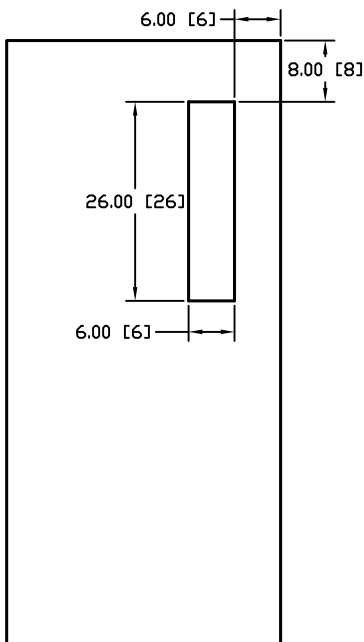
LT 89  
CUTOUT-24\"X60\"



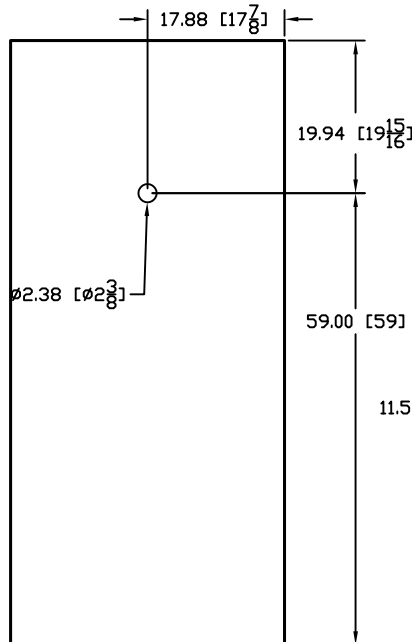
LT 90  
CUTOUT-24\"X64\"



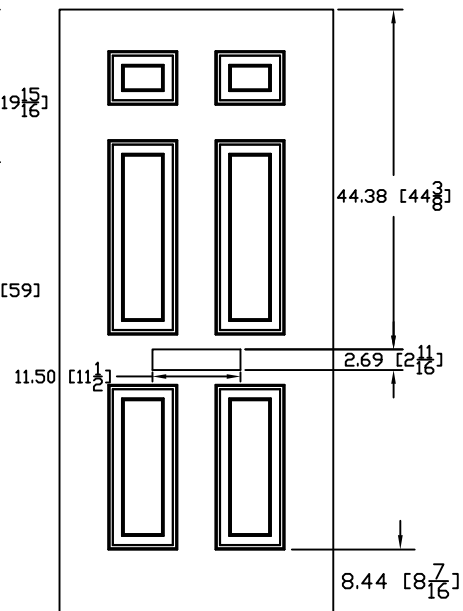
LT 91  
GLASS-22\"X64\"  
CUTOUT-22.938\"X64.938\"



LT 92  
CUTOUT-6\"X26\"



LT 93  
CUTOUT-2 3/8\"



LT 94  
CUTOUT-11.500\"X2.688\"

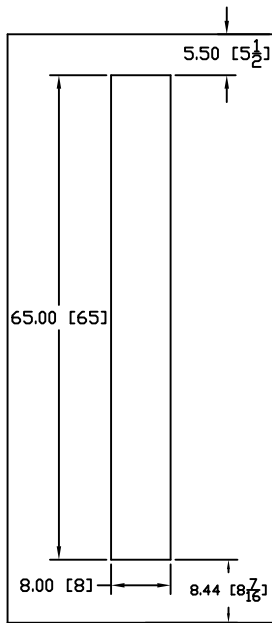


UP TO 7'0" DOOR HEIGHT  
LITE CUTOUT DIMENSIONAL  
DETAIL

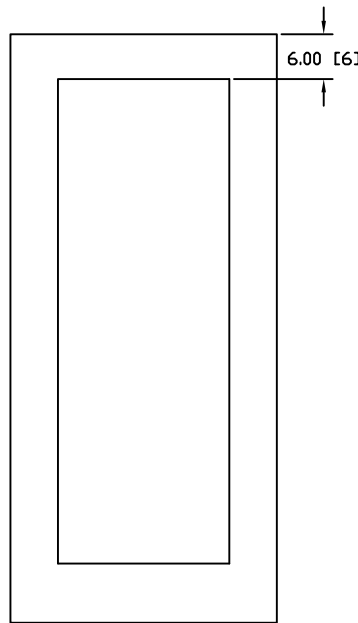
DWG#	II-26J
DATE	3-13-17
NAME	KRB
SECTION	II
PAGE	261

NOTE: ALL DIMENSIONS FOR  
6'8" X 3'0" DOOR

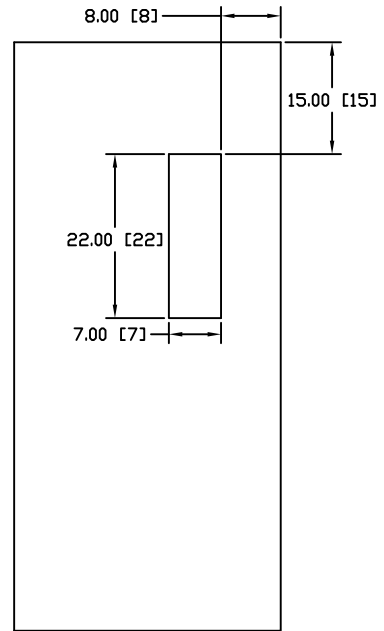
NOTE: FOR 7'0" DOORS, THE EXTRA  
HEIGHT IS DIVIDED EQUALLY  
BETWEEN THE TOP AND BOTTOM  
EMBOSSMENT LOCATION



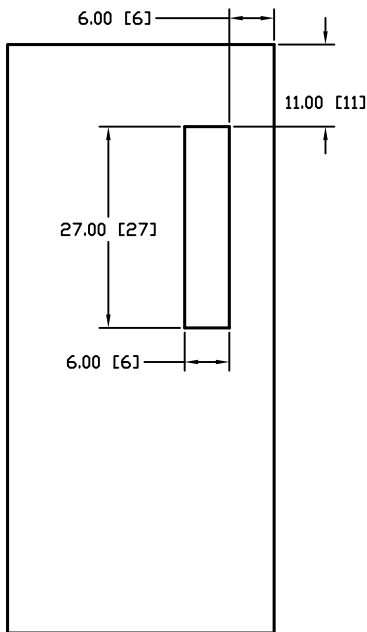
LT95  
GLASS-7"X64"  
CUTOUT-8"X65"



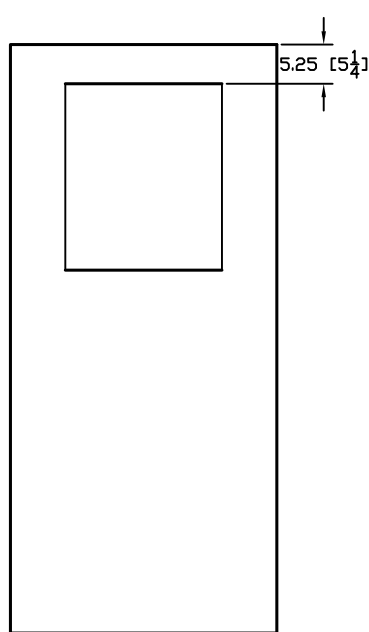
LT96  
GLASS-22"X64"  
CUTOUT-23"X65"



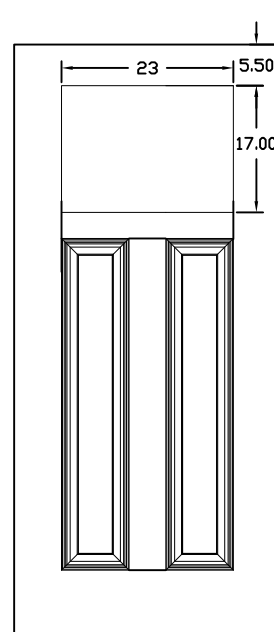
LT97  
GLASS-5 X 20"  
CUTOUT-7X 22"



LT98  
GLASS-4" X 25"  
CUTOUT-6" X 27"



LT99  
GLASS-20"X24"  
CUTOUT-21"X25"



LT100  
GLASS- 22" X 16.0"  
CUTOUT- 23" X 17.0"

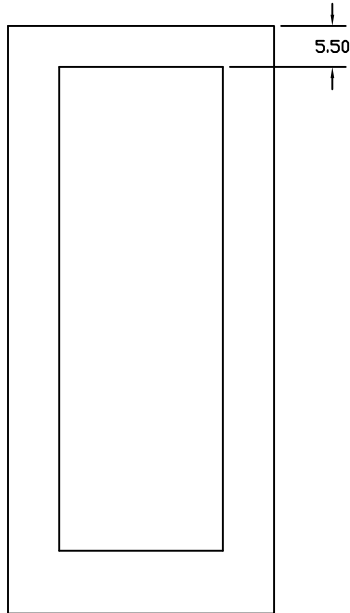


UP TO 7'0" DOOR HEIGHT  
LITE CUTOUT DIMENSIONAL  
DETAIL

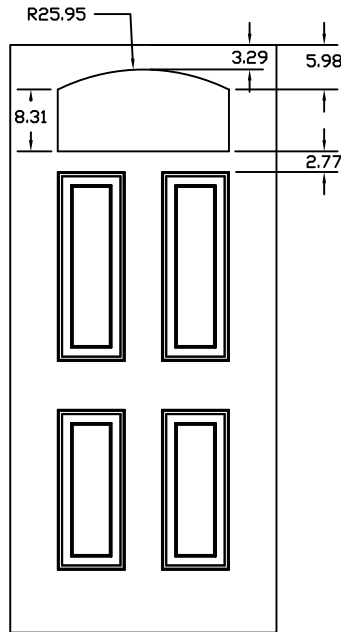
DWG#	II-26K
DATE	10-4-17
NAME	KRB
SECTION	II
PAGE	26I

NOTE: ALL DIMENSIONS FOR  
6'8" X 3'0" DOOR

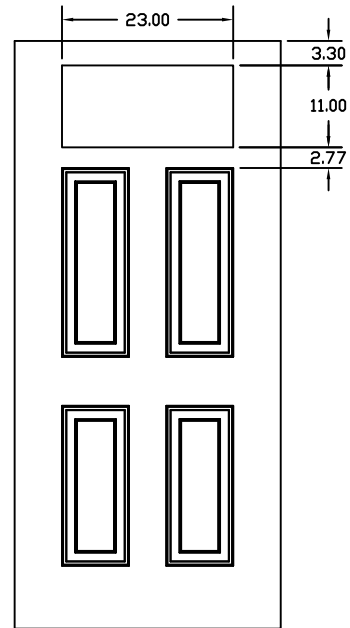
NOTE: FOR 7'0" DOORS, THE EXTRA  
HEIGHT IS DIVIDED EQUALLY  
BETWEEN THE TOP AND BOTTOM  
EMBOSSMENT LOCATION



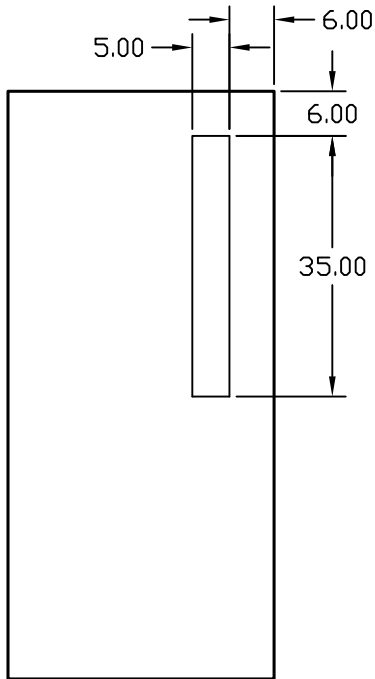
LT101  
GLASS-21"X64"  
CUTOUT-22"X65"



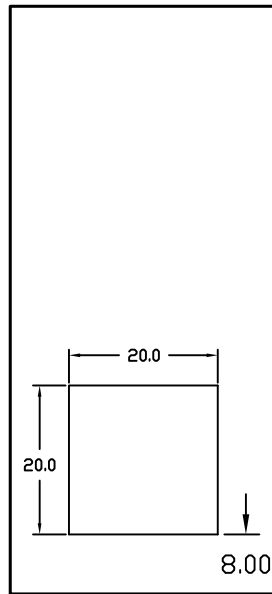
LT102  
GLASS-22"X10"  
CUTOUT-23"X11"



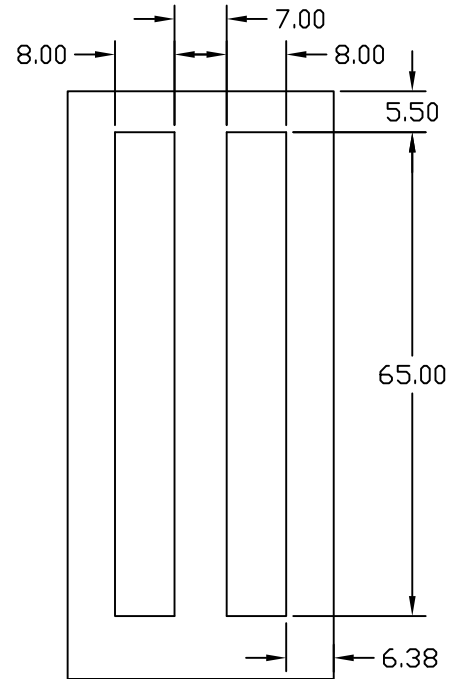
LT103  
GLASS-22"X10"  
CUTOUT-23"X11"



LT104  
CUTOUT-5"X35"



LT105  
LOUVER  
CUTOUT-20"X20"



LT106  
(2) GLASS-7"X64"  
(2) CUTOUT-8"X65"

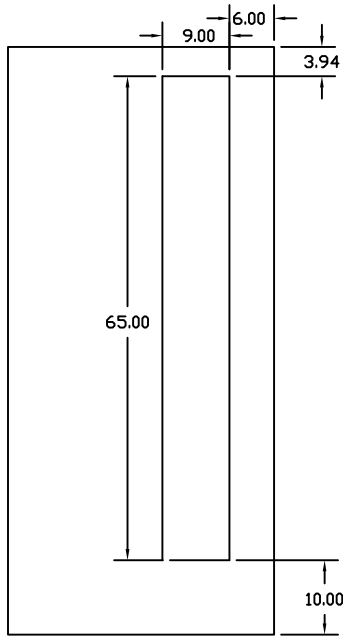


UP TO 7'0" DOOR HEIGHT  
LITE CUTOUT DIMENSIONAL  
DETAIL

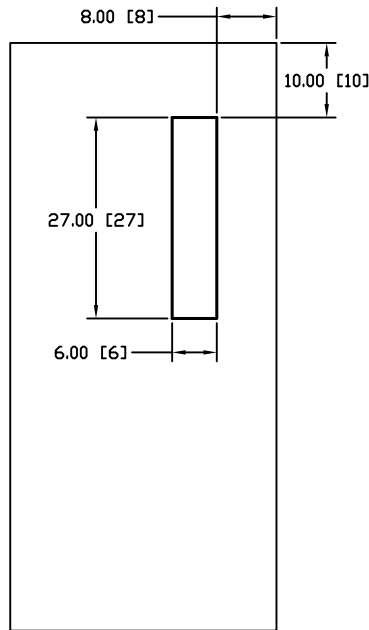
DWG#	II-26L
DATE	9-7-18
NAME	KRB
SECTION	II
PAGE	26I

NOTE: ALL DIMENSIONS FOR  
6'8" X 3'0" DOOR

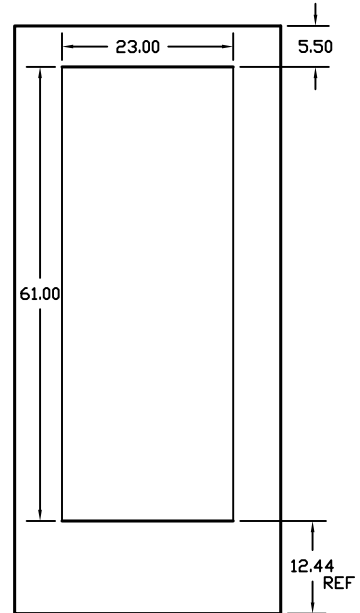
NOTE: FOR 7'0" DOORS, THE EXTRA  
HEIGHT IS DIVIDED EQUALLY  
BETWEEN THE TOP AND BOTTOM  
EMBOSSMENT LOCATION



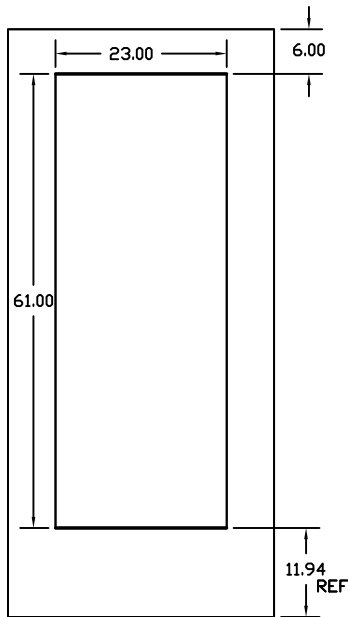
LT107  
GLASS-8"X64"  
CUTOUT-9"X65"



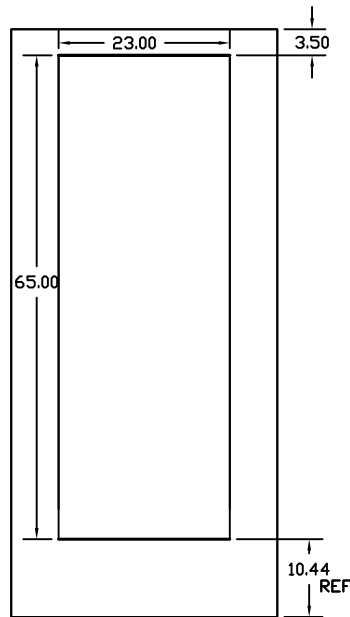
LT108  
GLASS-4" X 25"  
CUTOUT-6" X 27"



LT110  
GLASS-22"X60"  
CUTOUT-23"X61"



LT112  
GLASS-22"X60"  
CUTOUT-23"X61"



LT113  
GLASS-22"X64"  
CUTOUT-23"X65"

LT109  
8'0" DOOR OPTION  
PAGE II-25

LT111  
8'0" DOOR OPTION  
PAGE II-25



UP TO 7'0" DOOR HEIGHT  
LITE CUTOUT DIMENSIONAL  
DETAIL

DWG#	II-26M
DATE	6-6-22
NAME	KRB
SECTION	II
PAGE	26M