

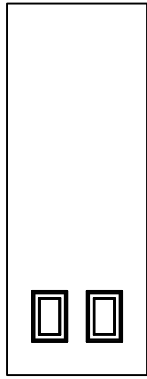
NOTE:
 SEE DOOR AVAILABILITY SHEET
 FOR DOOR SIZE AVAILABILITY PER EMBOSSEMENT



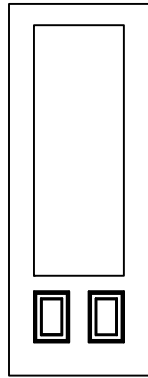
AMERICA'S DOORMAKER

DOOR CUTOUT OPTIONS
 PER EMBOSSEMENT

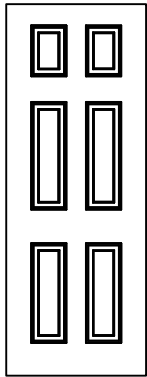
DWG#	II-21
DATE	8-2-22
NAME	KRB
SECTION	II
PAGE	21



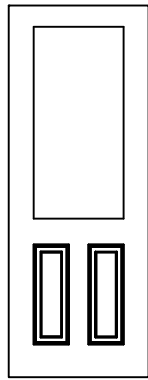
8'0" 2 PANEL



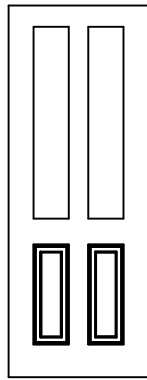
LT20



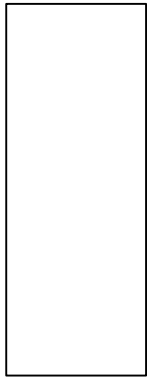
8'0" 6 PANEL



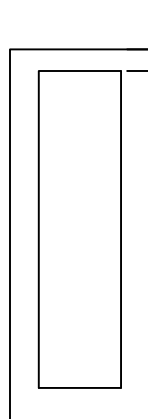
LT19



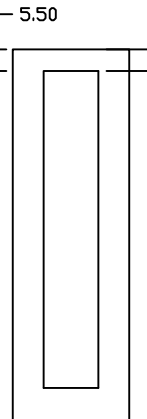
LT88



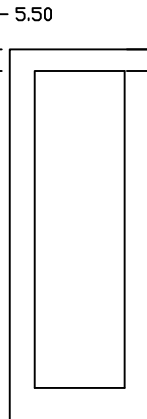
8'0" FLUSH



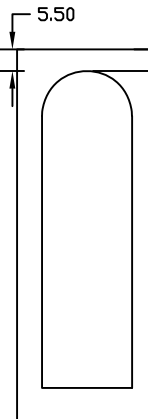
LT26



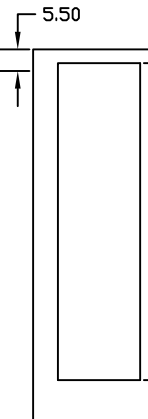
LT22



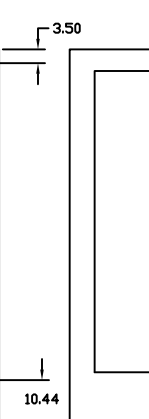
LT21



LT23



LT45



LT109

5.50

5.50

5.50

5.50

3.50

5.50

10.44

12.44

REF

NOTE:
SEE DOOR AVAILABILITY SHEET
FOR DOOR SIZE AVAILABILITY PER EMBOSSMENT

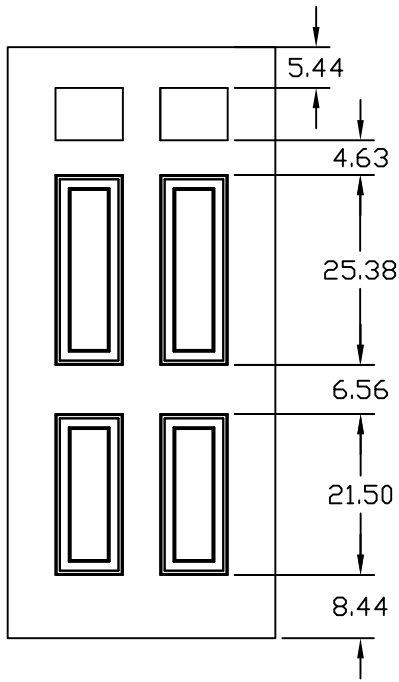


AMERICA'S DOORMAKER

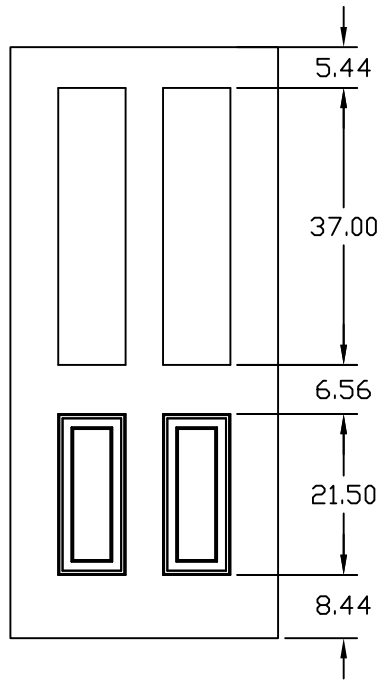
8'0" DOOR CUTOUT OPTIONS
PER EMBOSSMENT

DWG#	II-21A
DATE	1-30-20
NAME	KRB
SECTION	II
PAGE	21A

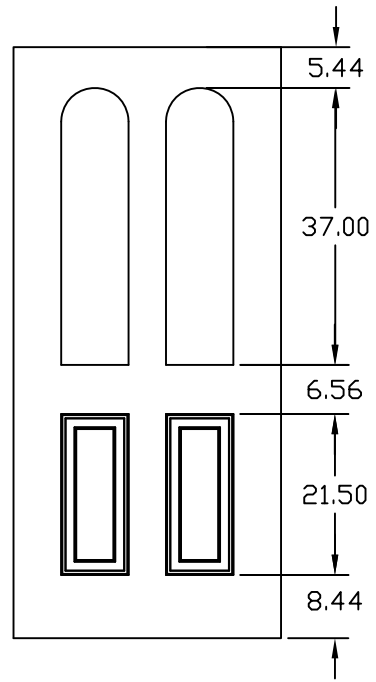
NOTE: ALL DIMENSIONS FOR
6'8" X 3'0" DOOR



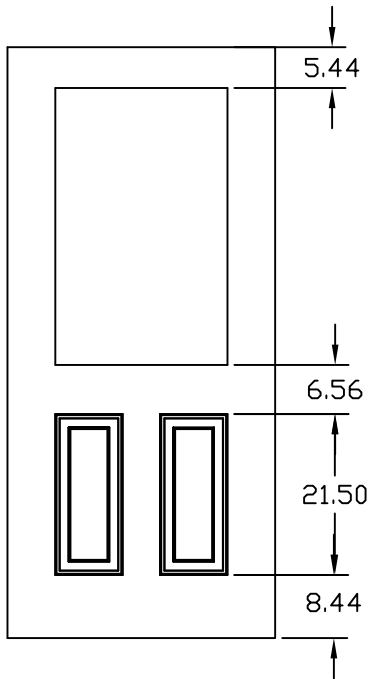
LT1
GLASS-8"X6"
CUTOUT-9"X7"



LT2
GLASS-8"X36"
CUTOUT-9"X37"

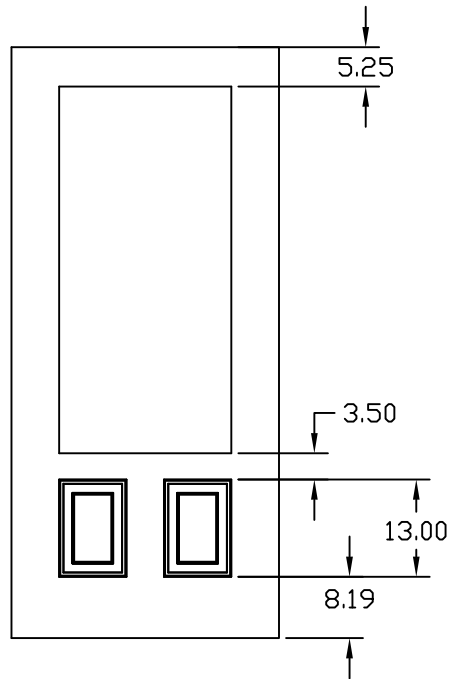


LT3
GLASS-8"X36" RT
CUTOUT-9"X37" RT



LT4
GLASS-22"X36"
CUTOUT-23"X37"

LT5
DOOR WIDTH-2'5",2'6",2'7"
GLASS-20"X36"
CUTOUT-21"X37"



LT6
GLASS-22"X48"
CUTOUT-23"X49"

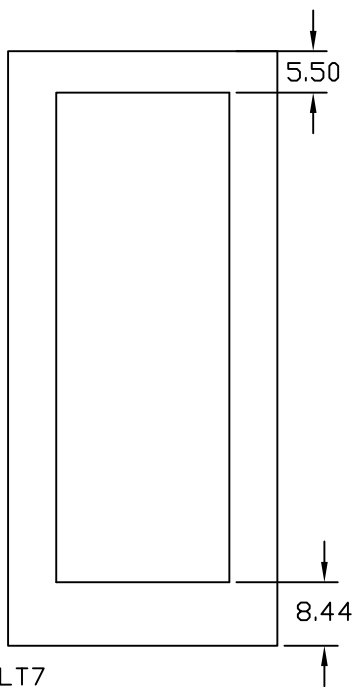
NOTE: FOR 7'0" DOORS, THE EXTRA
HEIGHT IS DIVIDED EQUALLY
BETWEEN THE TOP AND BOTTOM
EMBOSSMENT LOCATION



UP TO 7'0" DOOR HEIGHT
LITE CUTOUT DIMENSIONAL DETAIL

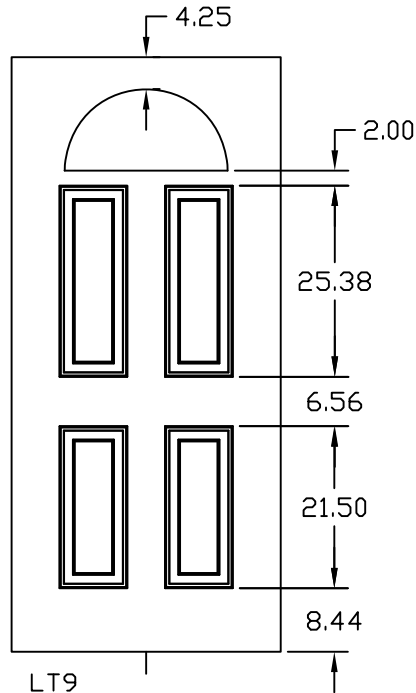
DWG#	II-22
DATE	4-08-05
NAME	MJP
SECTION	II
PAGE	22

NOTE: ALL DIMENSIONS FOR

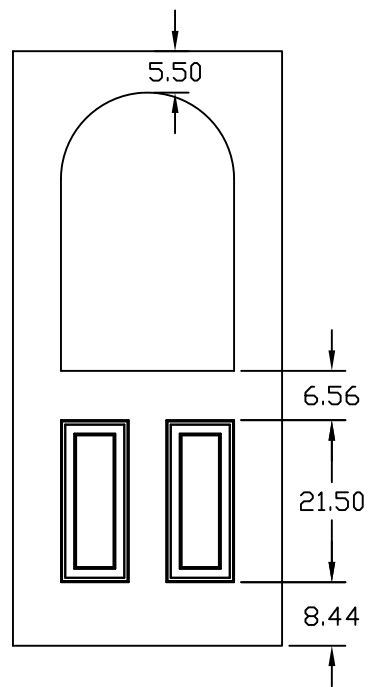


LT7
GLASS-22"X64"
CUTOUT-23"X65"

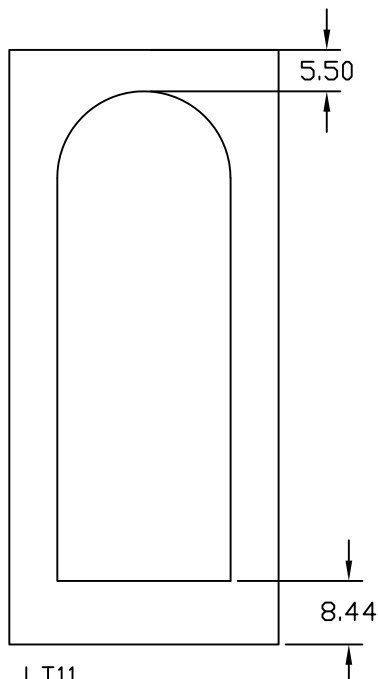
LT8
DOOR WIDTH-2'5",2'6",2'7"
GLASS-20"X64"
CUTOUT-21"X65"



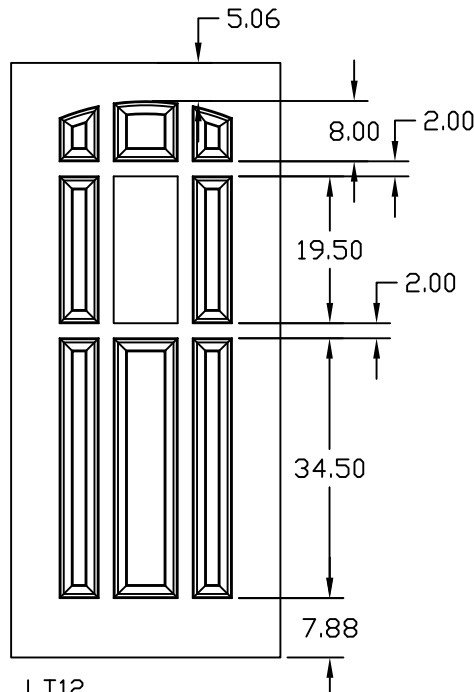
LT9
GLASS-21-13/16"
X9-13/16"
CUTOUT-22-13/16"
X10-13/16"



LT10
GLASS-22"X36" RT
CUTOUT-23"X37" RT



LT11
GLASS-22"X64" RT
CUTOUT-23"X65" RT



LT12
GLASS-7-1/2"X18-1/2"
CUTOUT-8-1/2"X19-1/2"

NOTE: FOR 7'0" DOORS, THE EXTRA HEIGHT IS DIVIDED EQUALLY BETWEEN THE TOP AND BOTTOM EMBOSMENT LOCATION

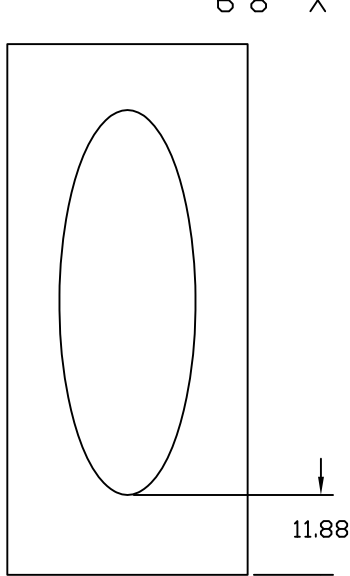


AMERICA'S DOORMAKER

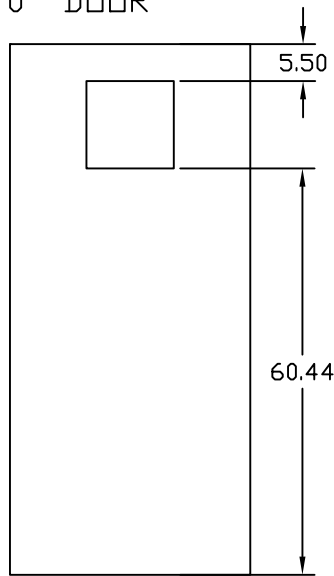
UP TO 7'0" DOOR HEIGHT
LITE CUTOUT DIMENSIONAL DETAIL

DWG#	II-23
DATE	4-3-19
NAME	MJP
SECTION	II
PAGE	23

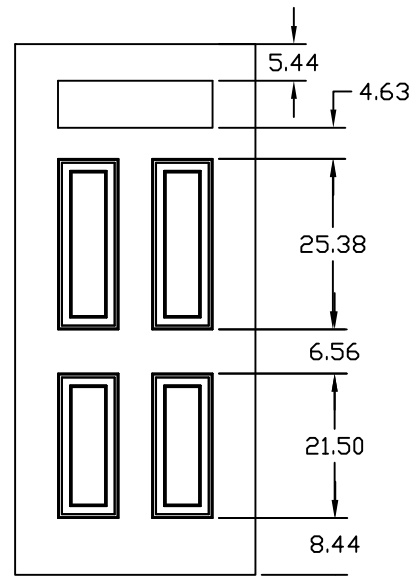
NOTE: ALL DIMENSIONS FOR
6'8" X 3'0" DOOR



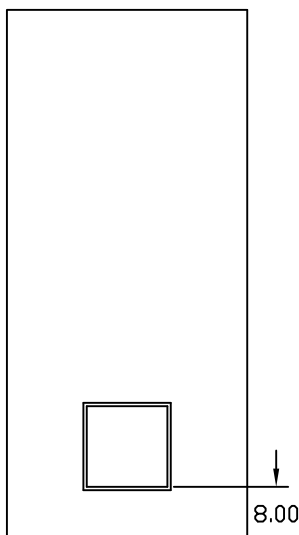
LT13
GLASS-19-1/4"X56-1/4"
CUTOUT-20-1/4"X57-1/4"



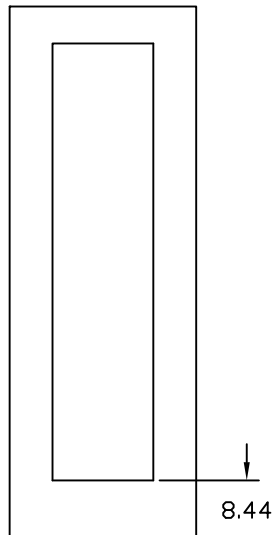
LT24
GLASS-12"X12"
CUTOUT-13"X13"
LT25
DIAMOND STYLE
LT14
GLASS-16"X16"
CUTOUT-17"X17"
LT15
DIAMOND STYLE



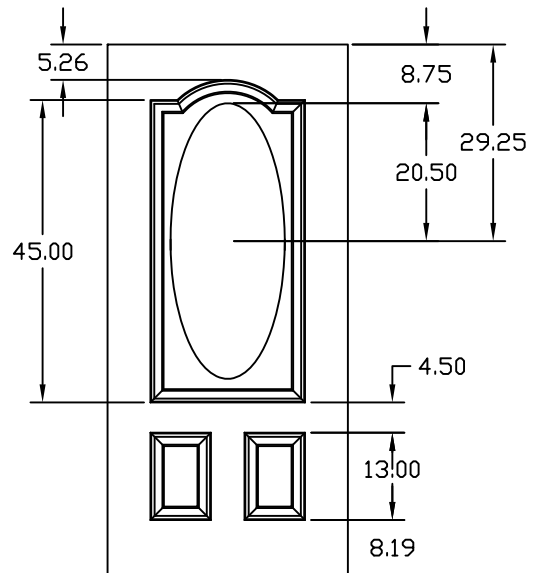
LT16
GLASS-22"X6"
CUTOUT-23"X7"



LT29
CUTOUT-12"X12"
LOUVER



LT17
DOOR WIDTH 2'0" & 2'4"
GLASS-14"X64"
CUTOUT-15"X65"



LT18
GLASS- 15-1/2" X 39-3/8"
CUTOUT- 17" X 41"
NOTE: ODL GLASS/FRAME SIZE

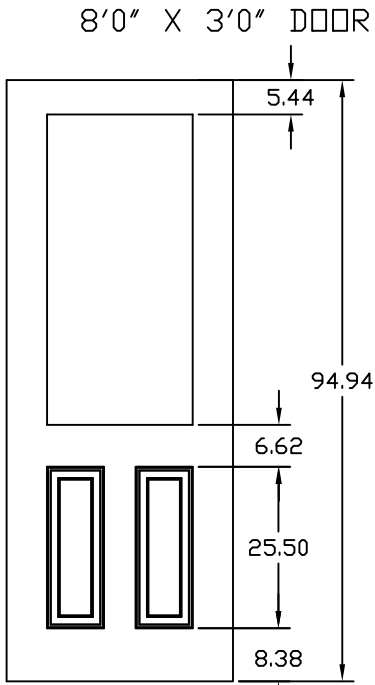
NOTE: FOR 7'0" DOORS, THE EXTRA
HEIGHT IS DIVIDED EQUALLY
BETWEEN THE TOP AND BOTTOM
EMBOSSMENT LOCATION



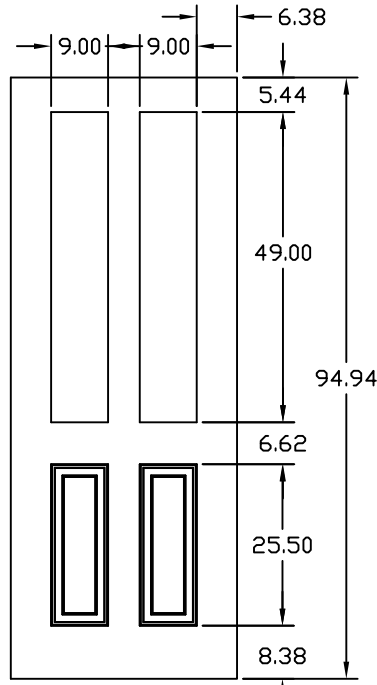
STEEL ENTRY DOORS
UP TO 7'0" DOOR HEIGHT
LITE CUTOUT DIMENSIONAL DETAIL

DWG#	II-24
DATE	5-27-11
NAME	KRB
SECTION	II
PAGE	24

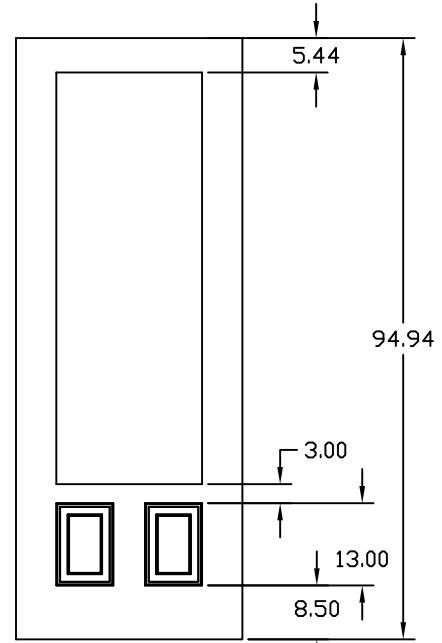
NOTE: ALL DIMENSIONS FOR
8'0" X 3'0" DOOR



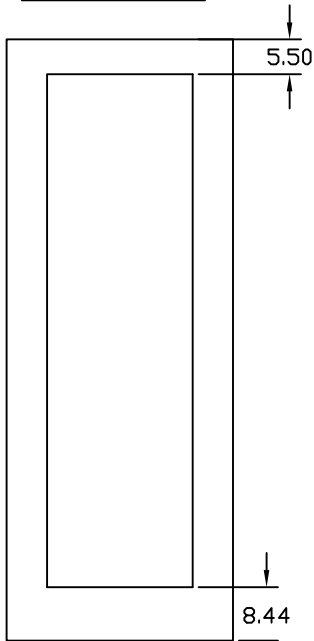
LT19
GLASS-22"X48"
CUTOUT-23"X49"



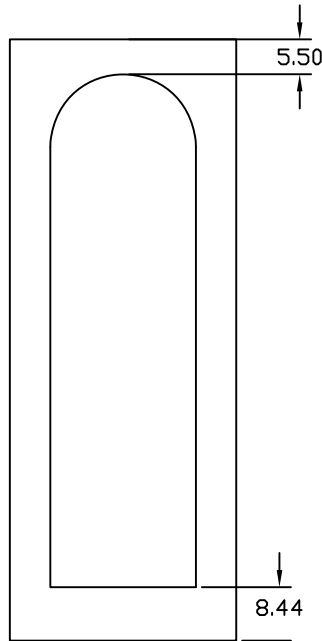
LT88
GLASS- (2) 8"X48"
CUTOUT- (2) 9"X49"



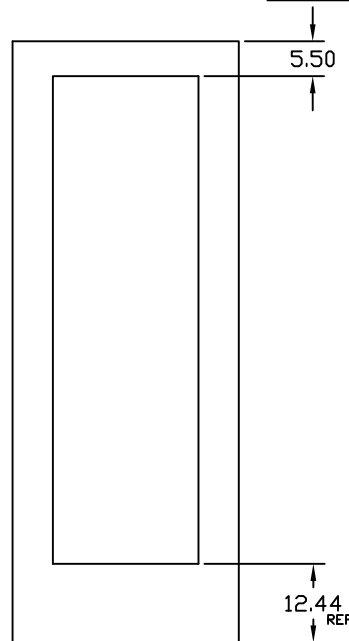
LT20
GLASS-22"X64"
CUTOUT-23"X65"



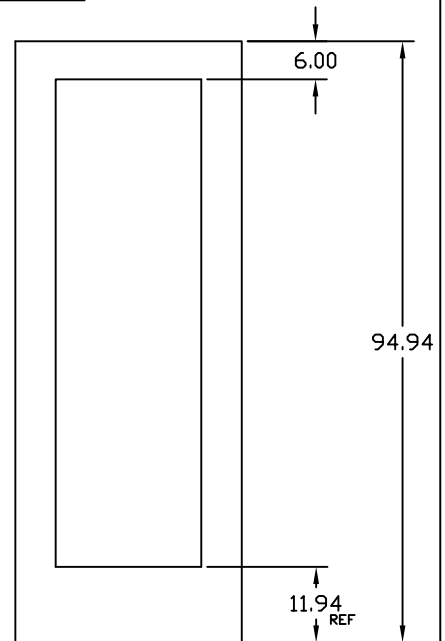
LT26
GLASS-20"X80"
CUTOUT-21"X81"



LT23
GLASS-22"X80" RT
CUTOUT-23"X81" RT



LT109
GLASS-22"X76"
CUTOUT-23"X77"



LT111
GLASS-22"X76"
CUTOUT-23"X77"

LT21
GLASS-22"X80"
CUTOUT-23"X81"

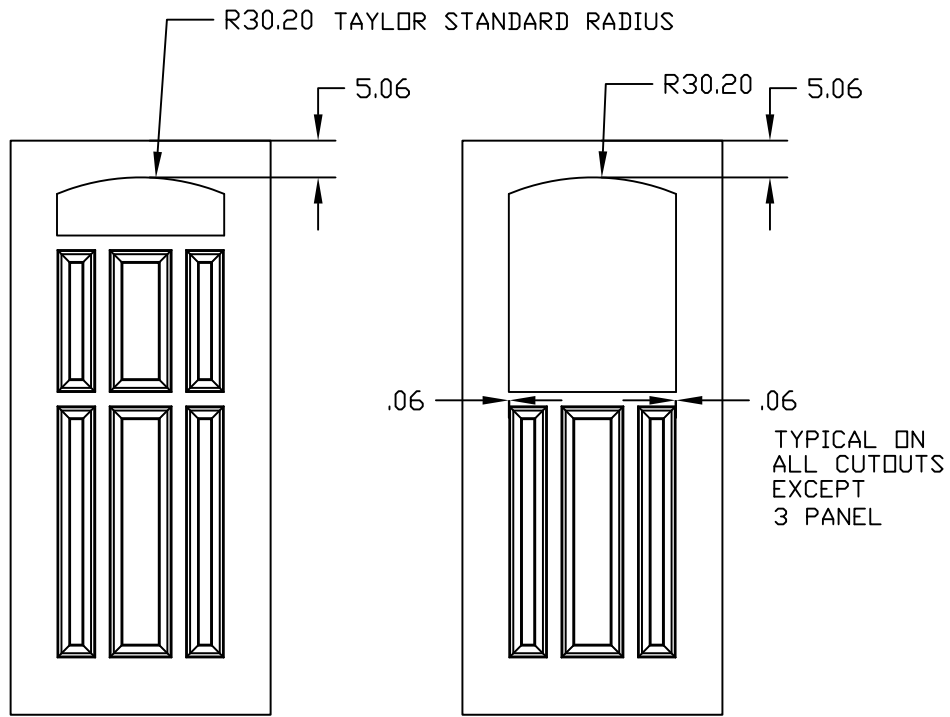
LT22
DOOR WIDTH 2'0" & 2'4"
GLASS-14"X80"
CUTOUT-15"X81"



AMERICA'S DOORMAKER

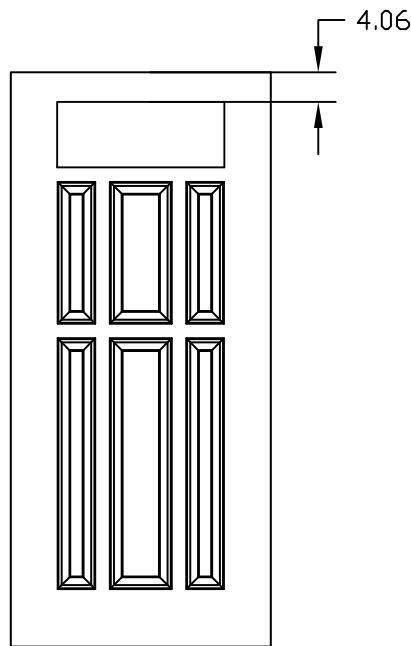
8'0" DOOR HEIGHT
LITE CUTOUT DIMENSIONAL DETAIL

DWG#	II-25
DATE	11-23-20
NAME	KRB
SECTION	II
PAGE	25

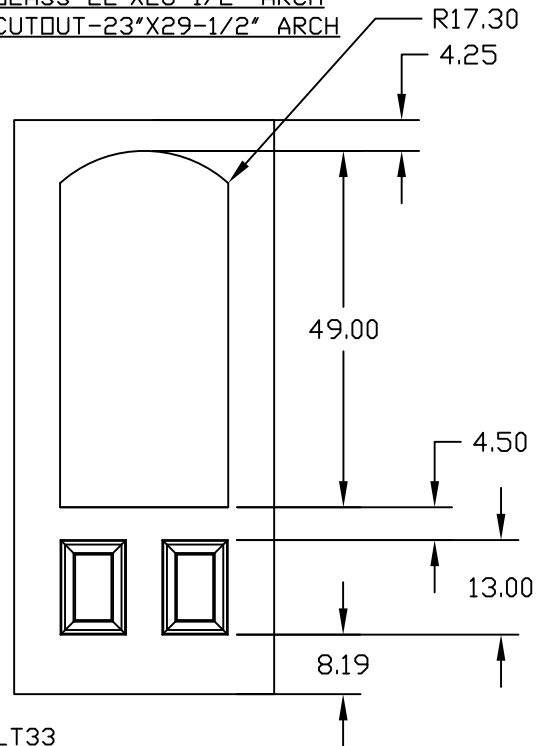


LT30
GLASS-22"x7" ARCH
CUTOUT-23"x8" ARCH

LT31
GLASS-22"x28-1/2" ARCH
CUTOUT-23"x29-1/2" ARCH



LT32
GLASS-22"x8"
CUTOUT-23"x9"



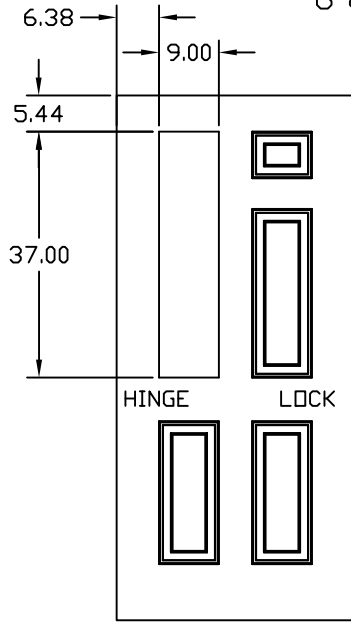
LT33
GLASS-22"x48" ARCH
CUTOUT-23"x49" ARCH



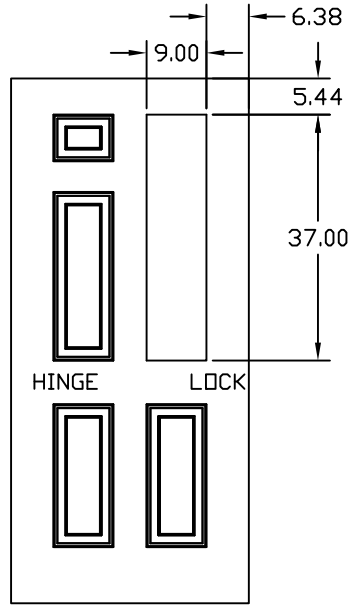
6'8" DOOR HEIGHT
NEW CUTOUT OPTIONS

DWG#	II-26
DATE	1-18-05
NAME	MJP
SECTION	II
PAGE	26

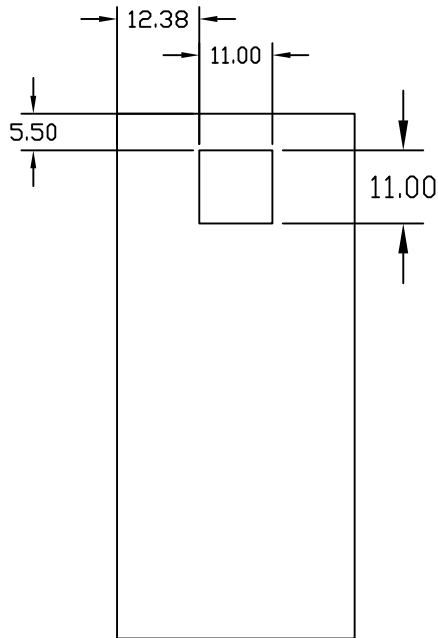
NOTE: ALL DIMENSIONS FOR
6'8" X 3'0" DOOR



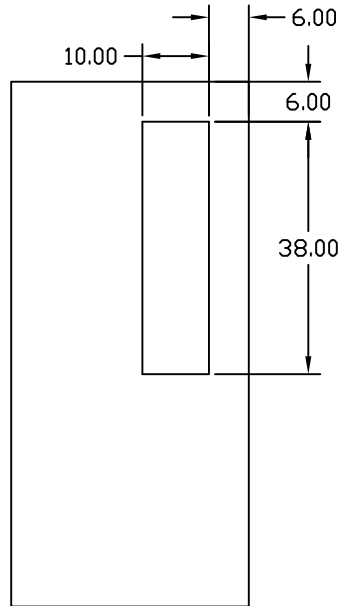
LT35
GLASS-8'X36'
CUTOUT-9'X37'



LT36
GLASS-8'X36'
CUTOUT-9'X37'



LT37
GLASS-10'X10'
CUTOUT-11'X11'



LT38
GLASS-9'X37'
CUTOUT-10'X38'

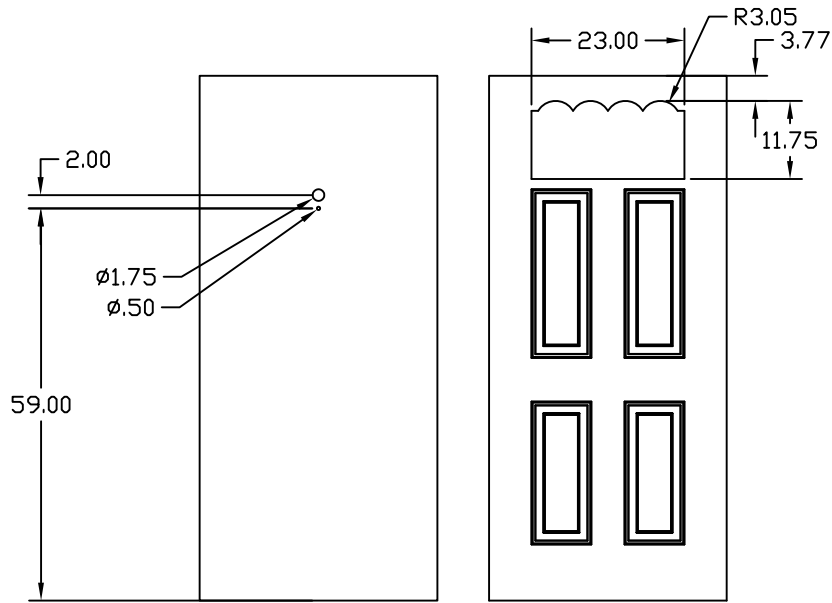
NOTE: FOR 7'0" DOORS, THE EXTRA
HEIGHT IS DIVIDED EQUALLY
BETWEEN THE TOP AND BOTTOM
EMBOSSMENT LOCATION



UP TO 7'0" DOOR HEIGHT
LITE CUTOUT DIMENSIONAL DETAIL

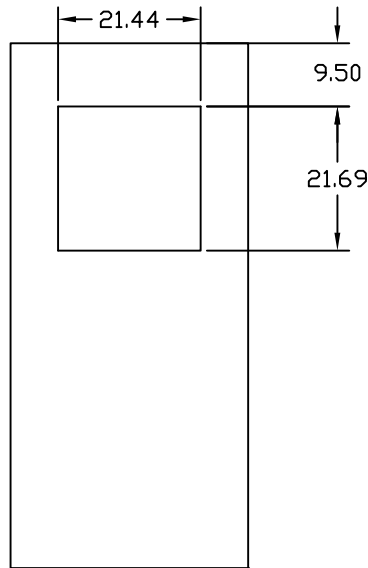
DWG#	II-26A
DATE	4-08-05
NAME	MJP
SECTION	II
PAGE	26

NOTE: ALL DIMENSIONS FOR
6'8" X 3'0" DOOR



LT27
DOOR CHIME PREP

LT28
GLASS-21"X9"
CUTOUT-22"X10"



LT39
GLASS-20-7/16" X 20-11/16"
CUTOUT-21-7/16" X21-11/16"

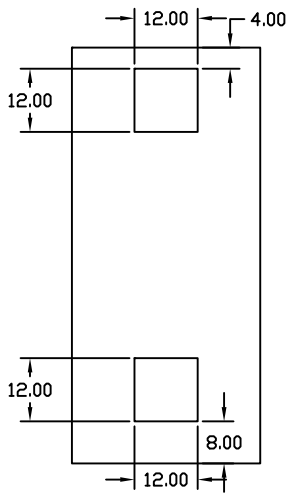
NOTE: FOR 7'0" DOORS, THE EXTRA
HEIGHT IS DIVIDED EQUALLY
BETWEEN THE TOP AND BOTTOM
EMBOSSMENT LOCATION



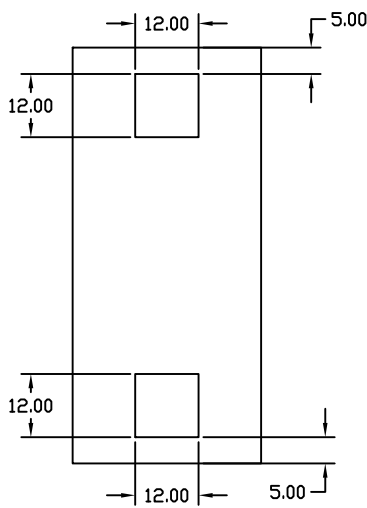
UP TO 7'0" DOOR HEIGHT
LITE CUTOUT DIMENSIONAL DETAIL

DWG#	II-26B
DATE	12-20-06
NAME	MJP
SECTION	II
PAGE	26B

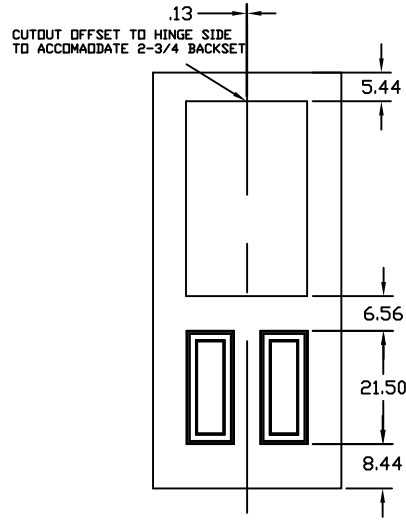
NOTE: ALL DIMENSIONS FOR
6'8" X 3'0" DOOR



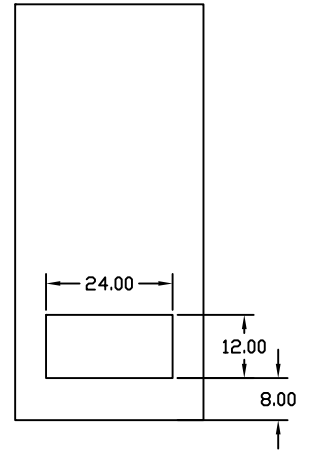
LT40
CUTOUT-12"x12"



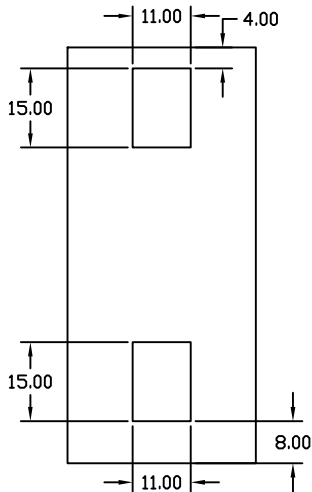
LT41
CUTOUT-12"x12"



LT42
GLASS-22"x36"
CUTOUT-23"x37"



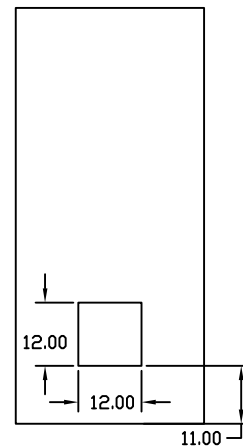
LT43
CUTOUT-12"x24"



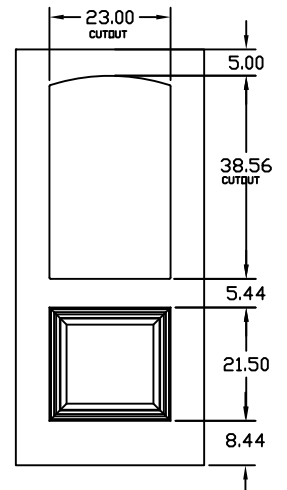
LT44
CUTOUT-11"x15"

LT45=8'0"

LT 46=N/A



LT47
CUTOUT-12"x12"



LT48
GLASS-22"x37-5/8"
CUTOUT-23"x38-5/8"
DDL 673 2238 AT

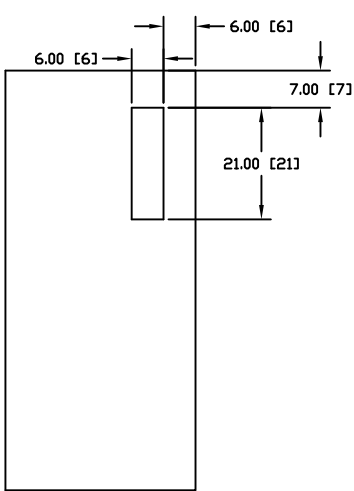
NOTE: FOR 7'0" DOORS, THE EXTRA HEIGHT IS DIVIDED EQUALLY BETWEEN THE TOP AND BOTTOM EMBOSMENT LOCATION



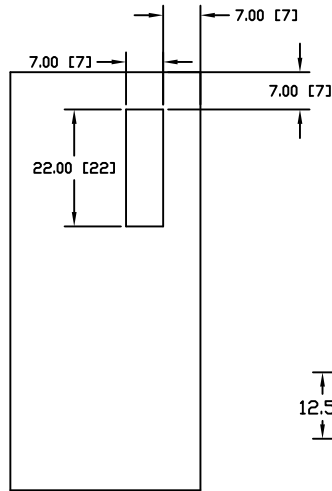
UP TO 7'0" DOOR HEIGHT
LITE CUTOUT DIMENSIONAL DETAIL

DWG#	II-26C
DATE	8-2-22
NAME	KRB
SECTION	II
PAGE	26C

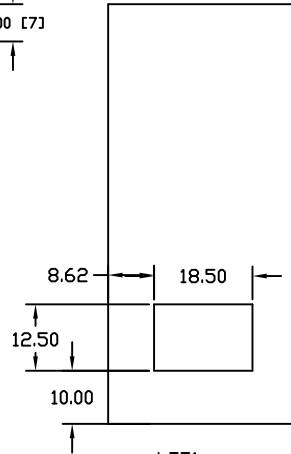
NOTE: ALL DIMENSIONS FOR
6'8" X 3'0" DOOR



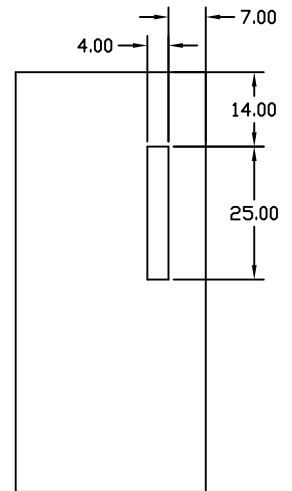
LT49
GLASS-5' X 20'
CUTOUT-6 X 21'



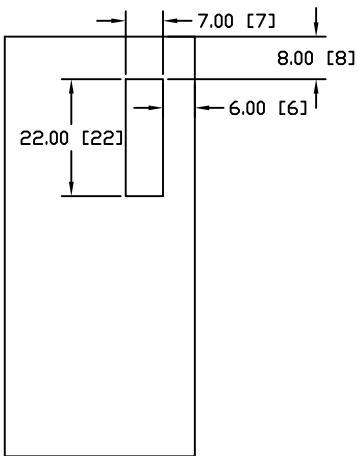
LT50
GLASS-6' X 21'
CUTOUT-7' X 22'



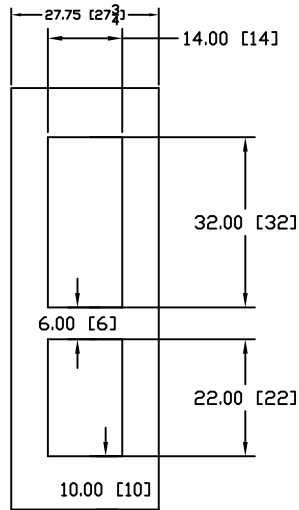
LT51
GLASS-11-1/4' X 17-1/4'
CUTOUT-12-1/2 X 18-1/2'



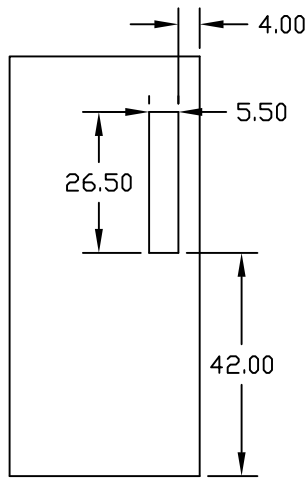
LT52
GLASS-3' X 24'
CUTOUT-4 X 25'



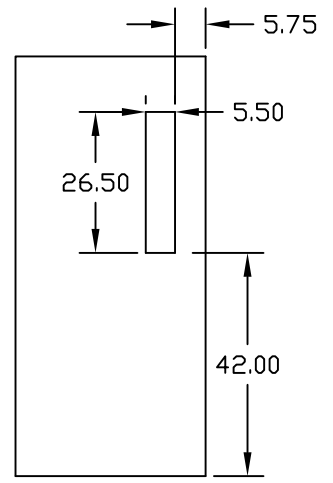
LT55
GLASS-6 X 21'
CUTOUT-7X 22'



LT56
CUTOUT- 14' X 32" TOP
CUTOUT- 14' X 22" BTM



LT57
CUTOUT-5.5'X 26.5'



LT58
CUTOUT-5.5'X 26.5'

LT53
PENDING DCR

LT54
PENDING DCR

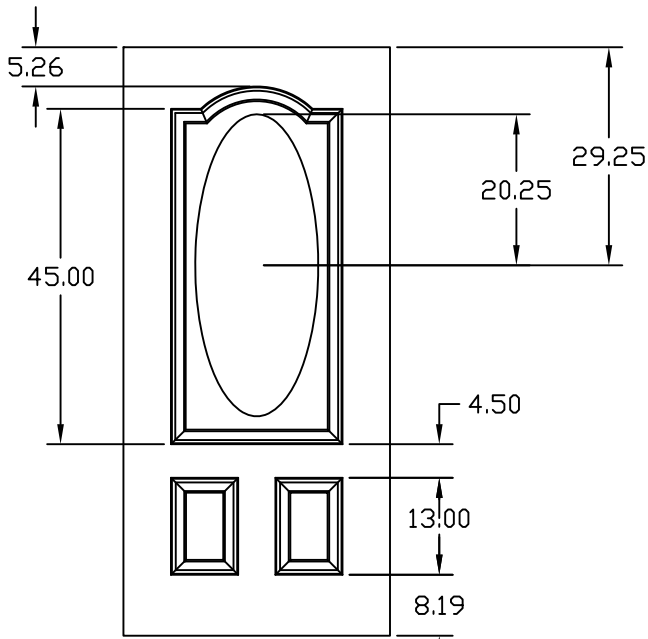
NOTE: FOR 7'0" DOORS, THE EXTRA
HEIGHT IS DIVIDED EQUALLY
BETWEEN THE TOP AND BOTTOM
EMBOSSMENT LOCATION



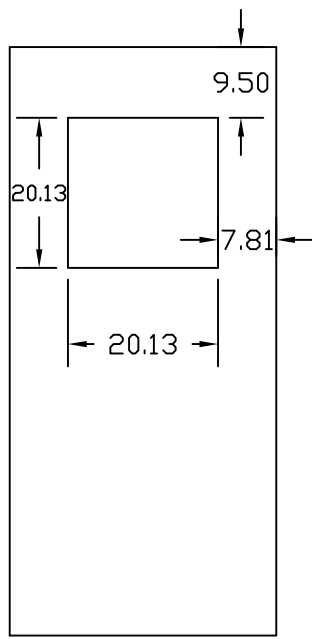
UP TO 7'0" DOOR HEIGHT
LITE CUTOUT DIMENSIONAL DETAIL

DWG#	II-26D
DATE	9-01-08
NAME	MJP
SECTION	II
PAGE	26D

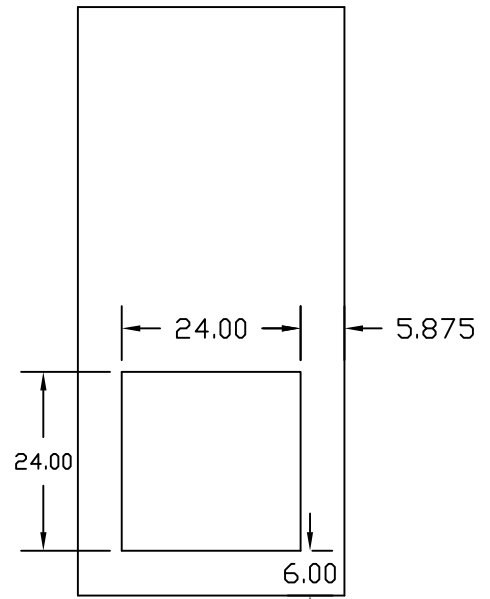
NOTE: ALL DIMENSIONS FOR
6'8" X 3'0" DOOR



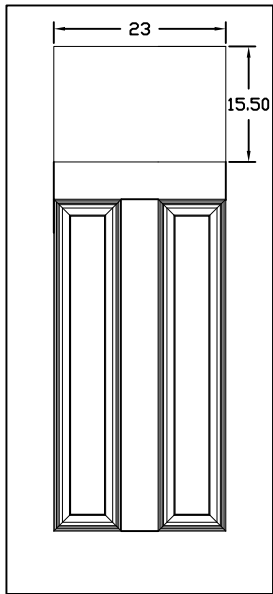
LT59
GLASS-15-1/2"X39-1/2"
CUTOUT-16-1/2"X40-1/2"
NOTE: PREMIUM GLASS SIZE



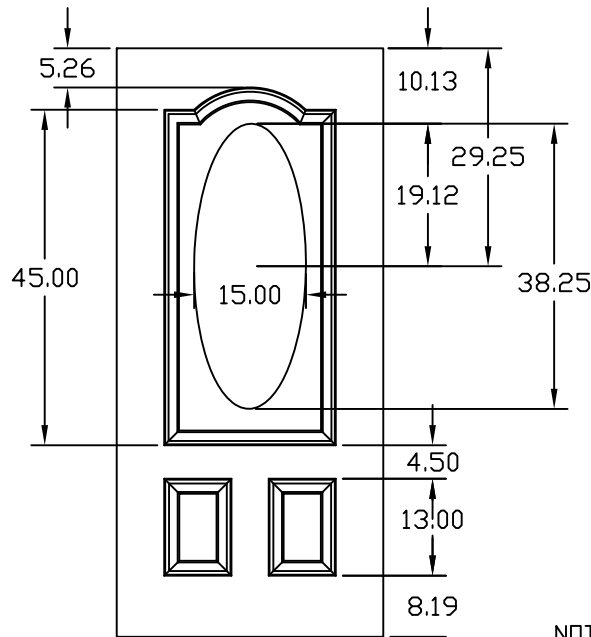
LT60
CUTOUT- 20 1/8" X 20 1/8"



LT61
CUTOUT- 24" X 24"



LT62
CUTOUT- 23" X 15.5"



LT63
GLASS- 14" X 37-1/4"
CUTOUT- 15" X 38 1/4"
NOTE: APPOLO GLASS/FRAE SIZE

NOTE: FOR 7'0" DOORS, THE EXTRA HEIGHT IS DIVIDED EQUALLY BETWEEN THE TOP AND BOTTOM EMBOSMENT LOCATION

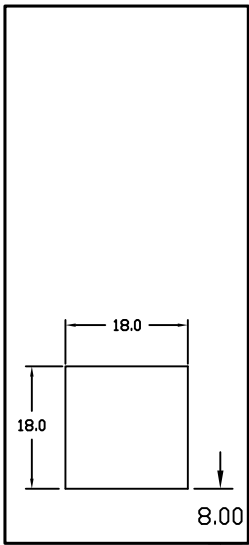


UP TO 7'0" DOOR HEIGHT
LITE CUTOUT DIMENSIONAL DETAIL

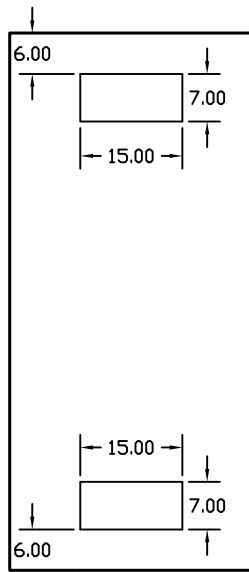
DWG#	II-26E
DATE	5-27-11
NAME	KRB
SECTION	II
PAGE	26E

NOTE: ALL DIMENSIONS FOR
6'8" X 3'0" DOOR

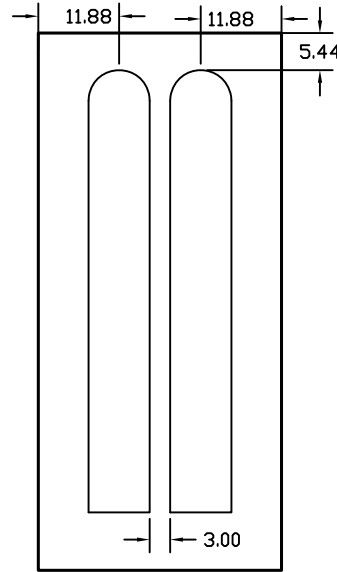
NOTE: FOR 7'0" DOORS, THE EXTRA
HEIGHT IS DIVIDED EQUALLY
BETWEEN THE TOP AND BOTTOM
EMBOSSMENT LOCATION



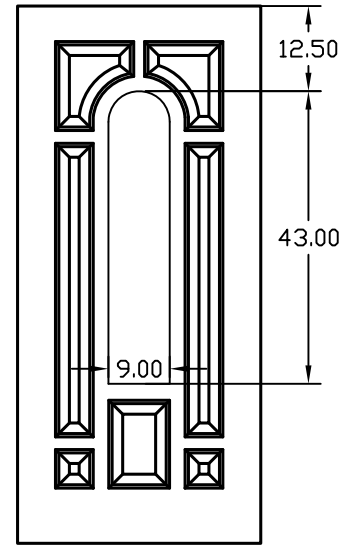
LT64
LOUVER
CUTOUT-18"X18"



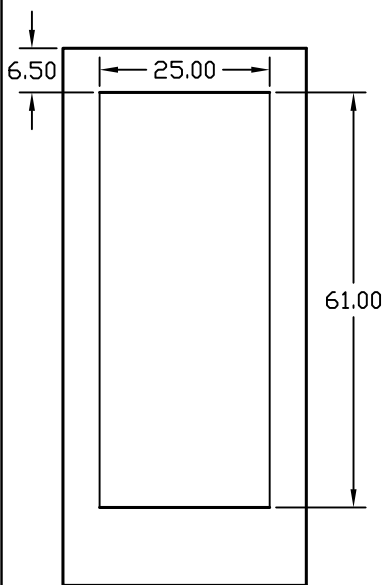
LT65
LOUVER
CUTOUT-15"X7"



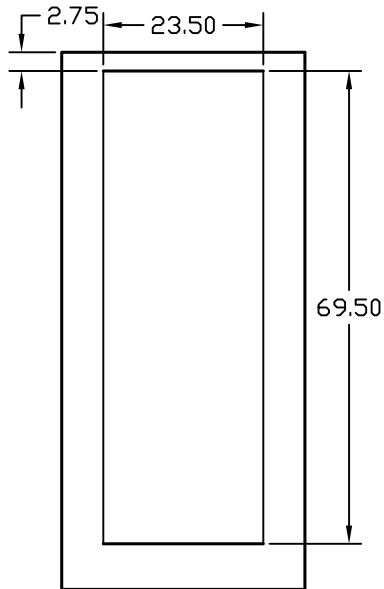
LT66
GLASS-8"X64"
CUTOUT-9"X65"



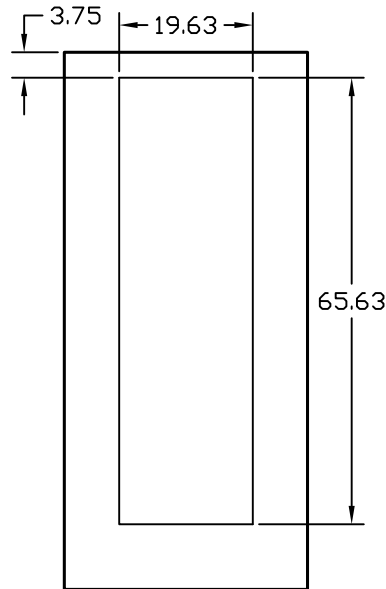
LT67 - FIBERGLASS ONLY
GLASS-8"X42"
CUTOUT-9"X43"



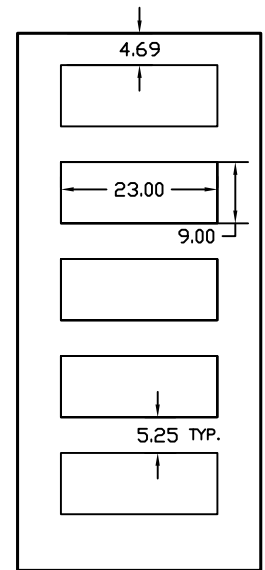
LT68
GLASS-24"X60"
CUTOUT-25"X61"



LT69
GLASS-22 1/2"X68 1/2"
CUTOUT-23 1/2"X69 1/2"



LT70
GLASS-18 5/8"X64 5/8"
CUTOUT-19 5/8"X65 5/8"



LT71
GLASS-8"X22"
CUTOUT-9"X23"

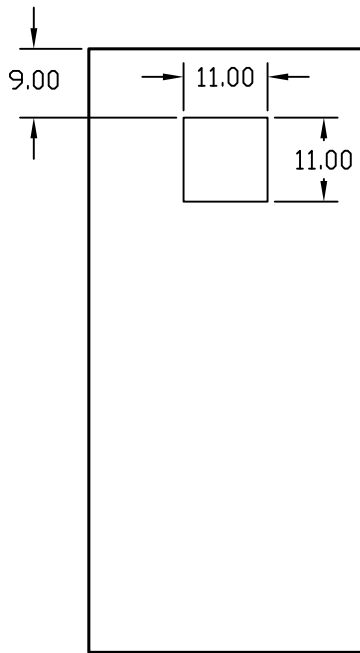


UP TO 7'0" DOOR HEIGHT
LITE CUTOUT DIMENSIONAL DETAIL

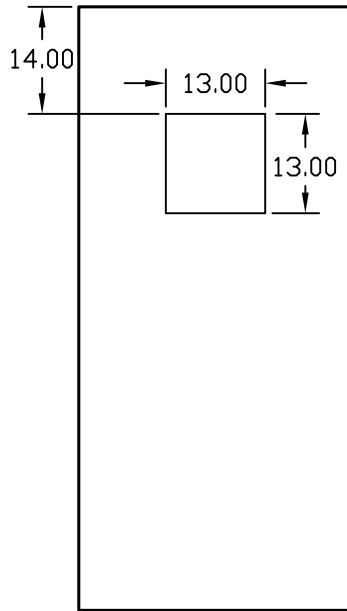
DWG#	II-26F
DATE	6-4-12
NAME	KRB
SECTION	II
PAGE	26F

NOTE: ALL DIMENSIONS FOR
6'8" X 3'0" DOOR

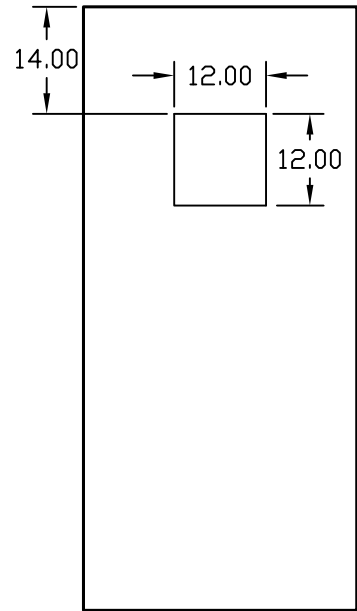
NOTE: FOR 7'0" DOORS, THE EXTRA
HEIGHT IS DIVIDED EQUALLY
BETWEEN THE TOP AND BOTTOM
EMBOSSMENT LOCATION



LT72
GLASS-10"X10"
CUTOUT-11"X11"

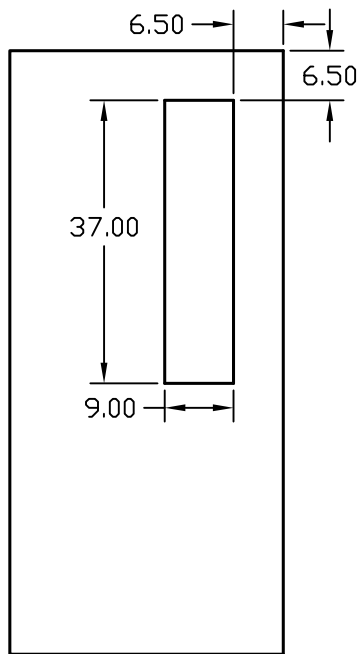


LT73
GLASS-12"X12"
CUTOUT-13"X13"

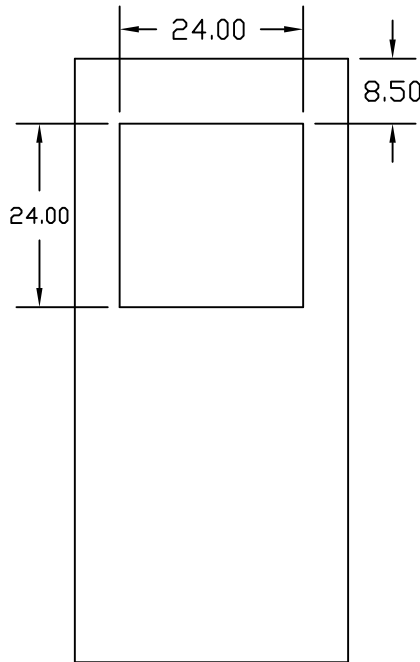


LT74

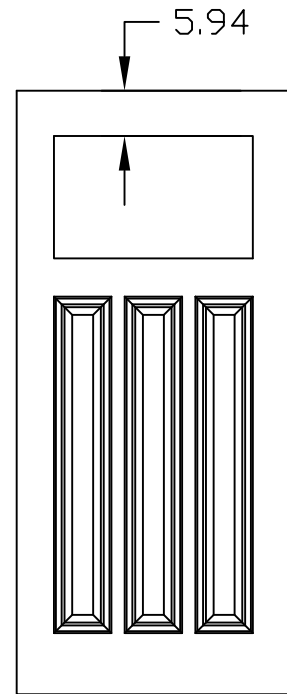
LT75
GLASS-11"X11"
CUTOUT-12"X12"



LT76
GLASS-8"X36"
CUTOUT-9"X37"



LT77
CUTOUT- 24" X 24"



LT78
GLASS-15"X25"
CUTOUT-16"X26"

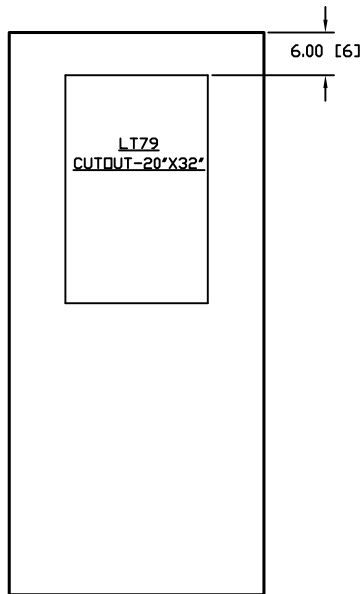


UP TO 7'0" DOOR HEIGHT
LITE CUTOUT DIMENSIONAL
DETAIL

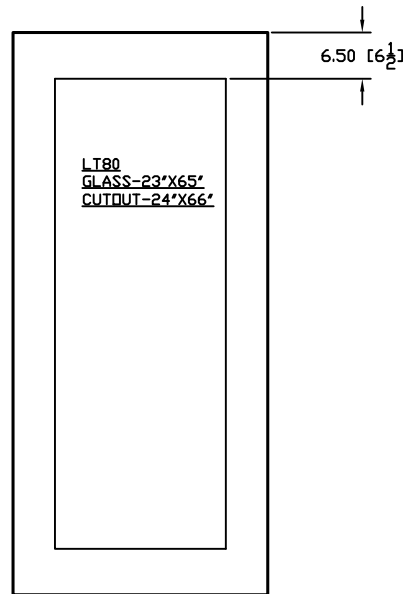
DWG#	II-26G
DATE	6-17-13
NAME	KRB
SECTION	II
PAGE	26G

NOTE: ALL DIMENSIONS FOR
6'8" X 3'0" DOOR

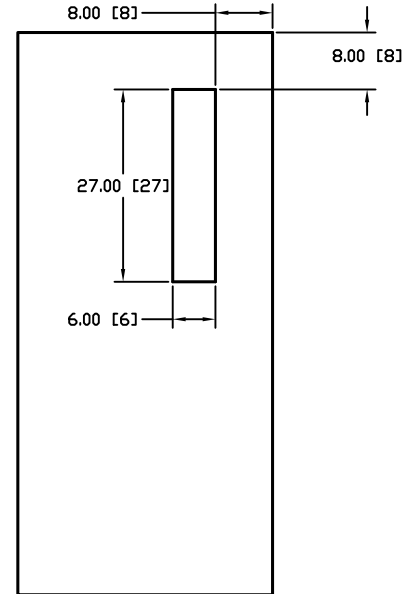
NOTE: FOR 7'0" DOORS, THE EXTRA
HEIGHT IS DIVIDED EQUALLY
BETWEEN THE TOP AND BOTTOM
EMBOSSMENT LOCATION



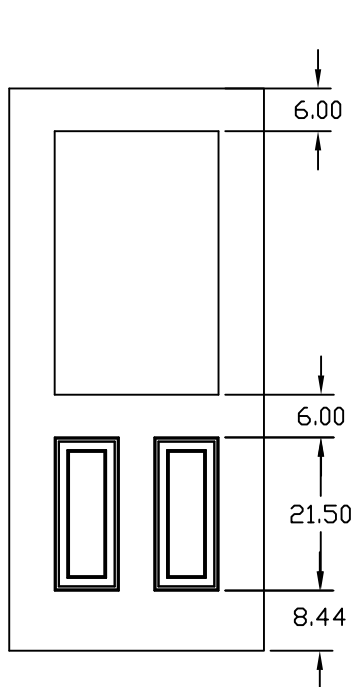
LT79
CUTOUT-20"X32"



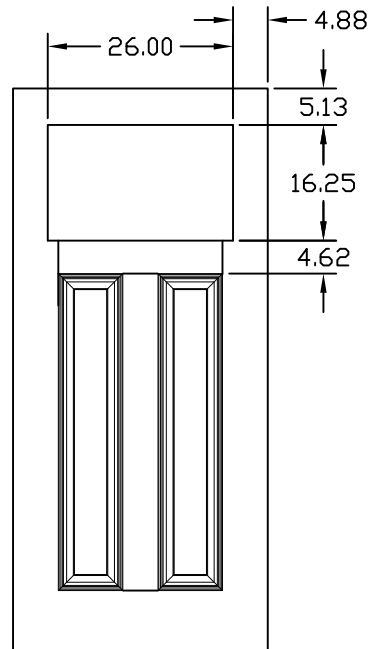
LT80
GLASS-23"X65"
CUTOUT-24"X66"



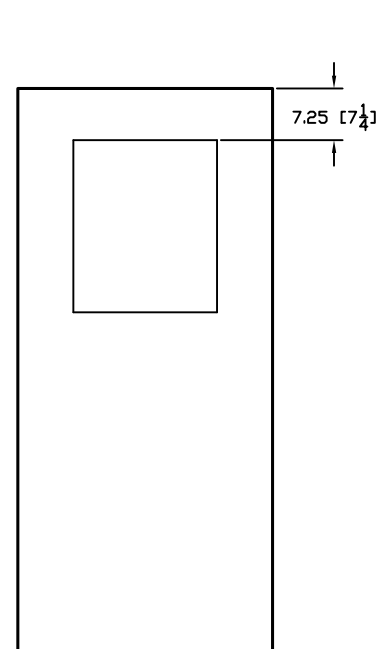
LT81
CUTOUT-6"X27"



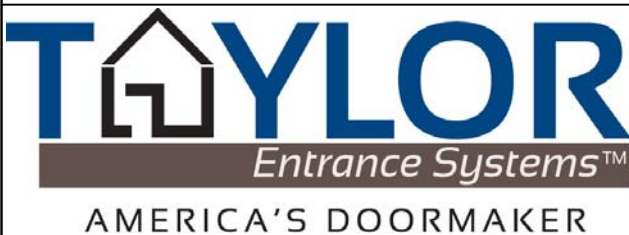
LT82
GLASS-22"X36"
CUTOUT-23"X37"



LT83
GLASS-25"X15.25"
CUTOUT-26"X16.25"



LT84
CUTOUT-20 3/16"X24 3/16"

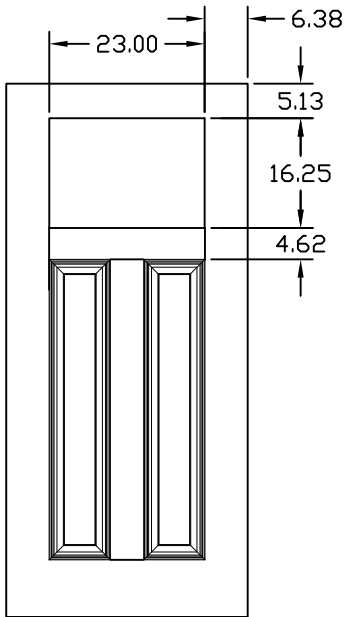


UP TO 7'0" DOOR HEIGHT
LITE CUTOUT DIMENSIONAL
DETAIL

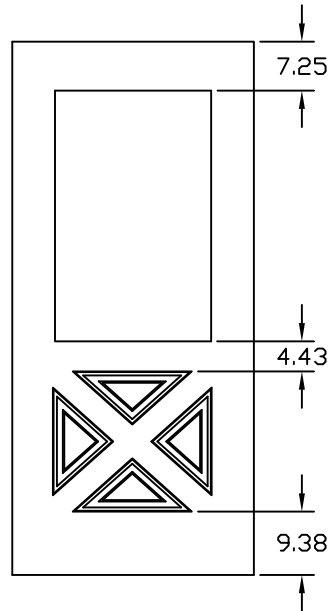
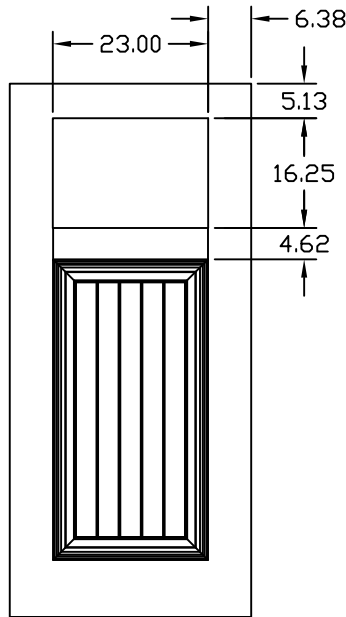
DWG#	II-26H
DATE	2-10-15
NAME	KRB
SECTION	II
PAGE	26H

NOTE: ALL DIMENSIONS FOR
6'8" X 3'0" DOOR

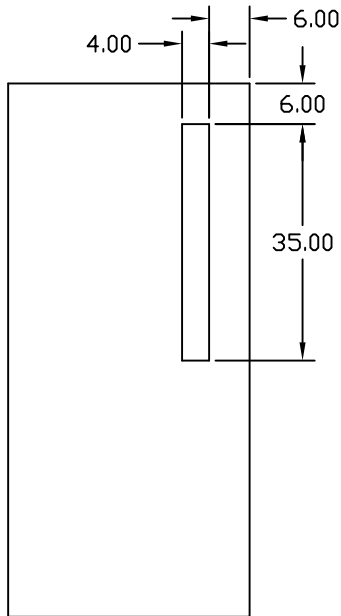
NOTE: FOR 7'0" DOORS, THE EXTRA
HEIGHT IS DIVIDED EQUALLY
BETWEEN THE TOP AND BOTTOM
EMBOSSMENT LOCATION



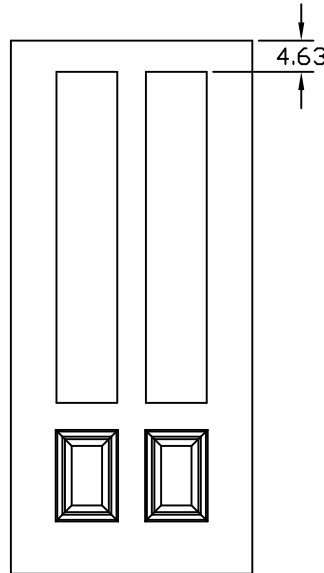
LT85 (DDL GLASS)
GLASS-22"X15.25"
CUTOUT-23"X16.25"



LT86
GLASS-22"X36"
CUTOUT-23 1/8"X37 1/8"



LT87
GLASS-3"X34"
CUTOUT-4"X35"

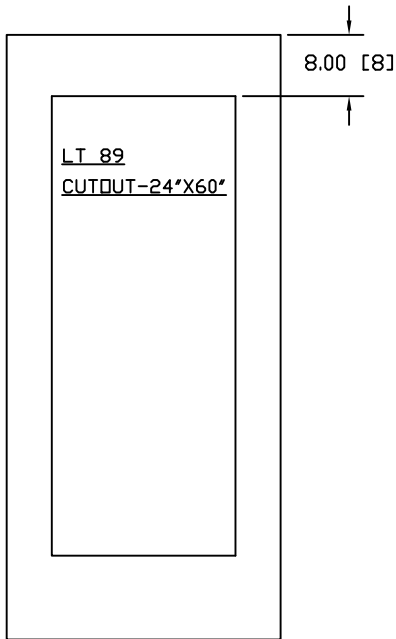


LT88
GLASS- (2) 8"X48"
CUTOUT- (2) 9"X49"

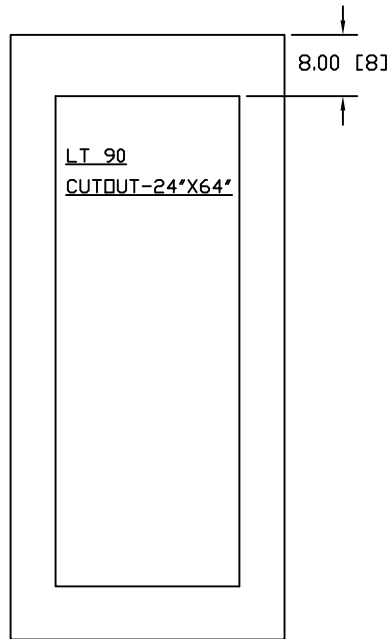
LT88
ALSO 8'0" DOOR OPTION
PAGE II-25

NOTE: ALL DIMENSIONS FOR
6'8" X 3'0" DOOR

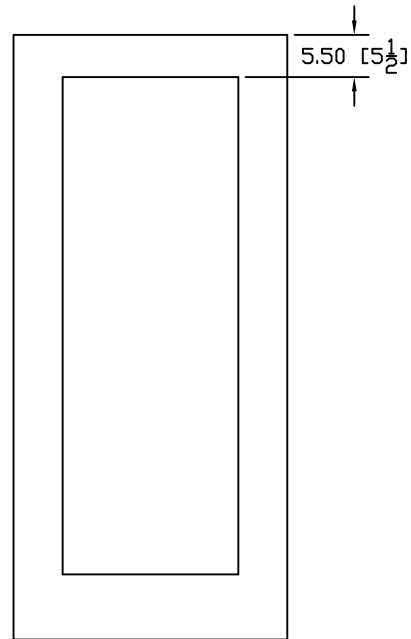
NOTE: FOR 7'0" DOORS, THE EXTRA
HEIGHT IS DIVIDED EQUALLY
BETWEEN THE TOP AND BOTTOM
EMBOSSMENT LOCATION



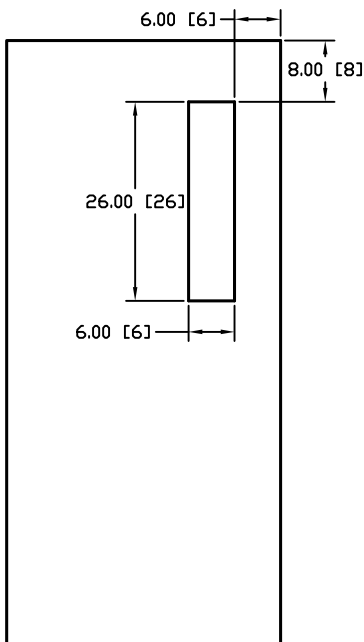
LT 89
CUTOUT-24"X60"



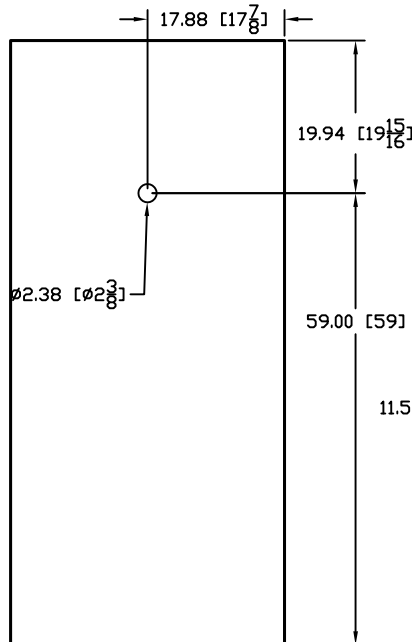
LT 90
CUTOUT-24"X64"



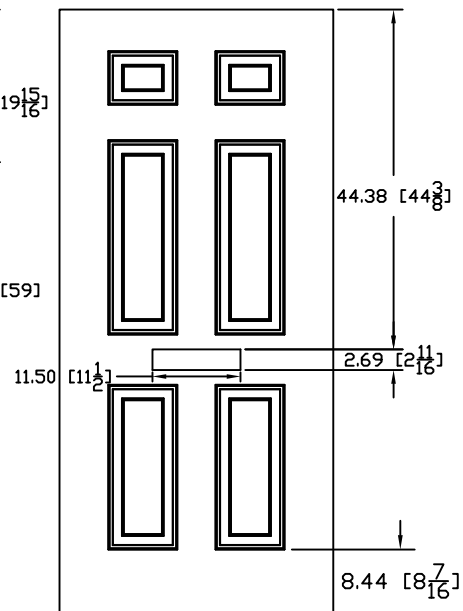
LT 91
GLASS-22"X64"
CUTOUT-22.938"X64.938"



LT 92
CUTOUT-6"X26"



LT 93
CUTOUT-2 3/8"



LT 94
CUTOUT-11.500"X2.688"

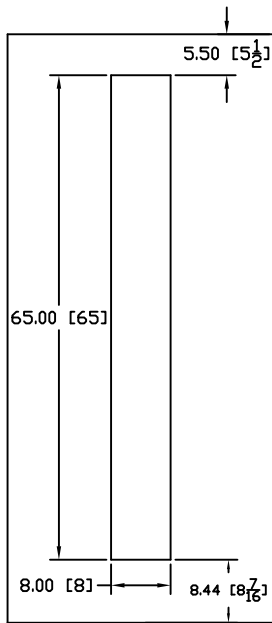


UP TO 7'0" DOOR HEIGHT
LITE CUTOUT DIMENSIONAL
DETAIL

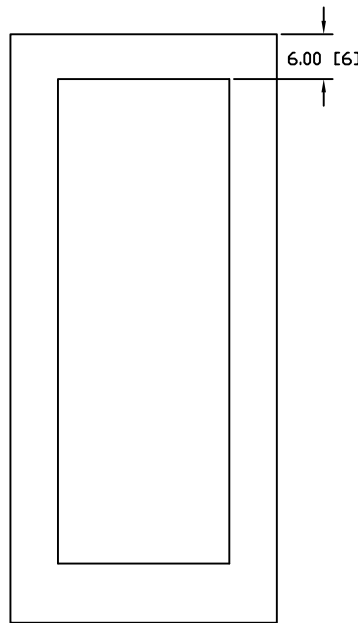
DWG#	II-26J
DATE	3-13-17
NAME	KRB
SECTION	II
PAGE	261

NOTE: ALL DIMENSIONS FOR
6'8" X 3'0" DOOR

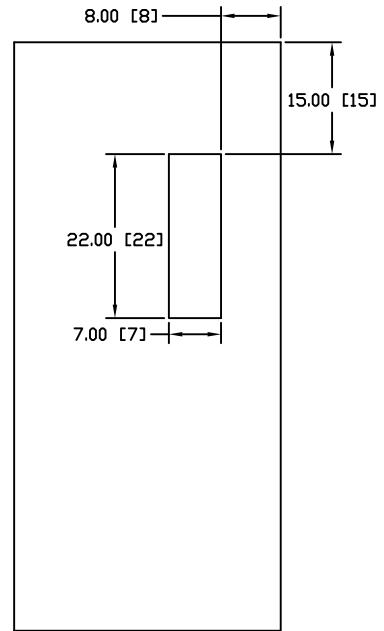
NOTE: FOR 7'0" DOORS, THE EXTRA
HEIGHT IS DIVIDED EQUALLY
BETWEEN THE TOP AND BOTTOM
EMBOSSMENT LOCATION



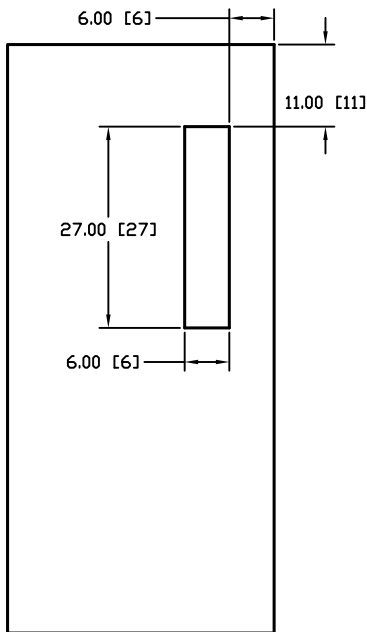
LT95
GLASS-7"X64"
CUTOUT-8"X65"



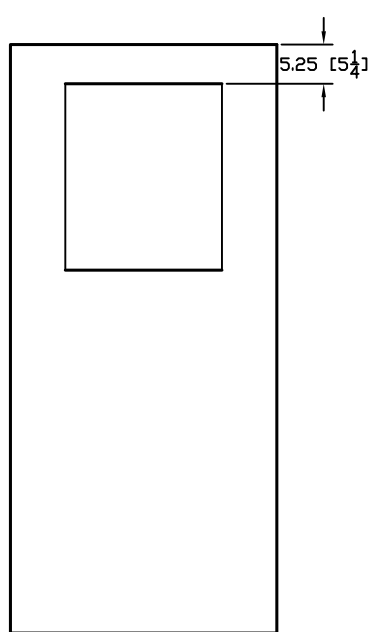
LT96
GLASS-22"X64"
CUTOUT-23"X65"



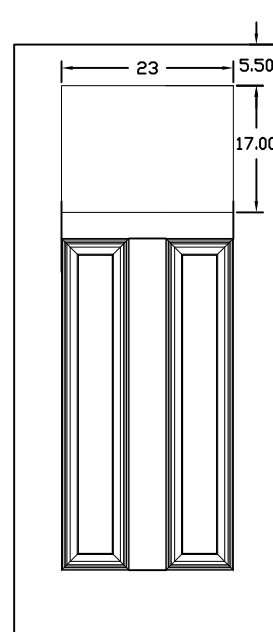
LT97
GLASS-5 X 20"
CUTOUT-7X 22"



LT98
GLASS-4" X 25"
CUTOUT-6" X 27"



LT99
GLASS-20"X24"
CUTOUT-21"X25"



LT100
GLASS- 22" X 16.0"
CUTOUT- 23" X 17.0"

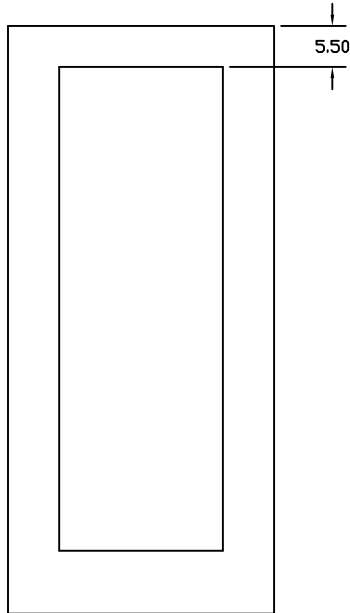


UP TO 7'0" DOOR HEIGHT
LITE CUTOUT DIMENSIONAL
DETAIL

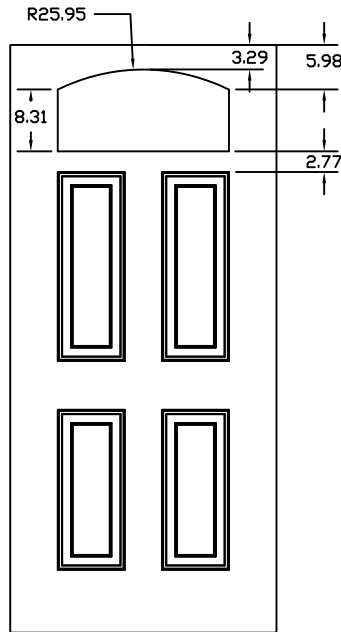
DWG#	II-26K
DATE	10-4-17
NAME	KRB
SECTION	II
PAGE	26I

NOTE: ALL DIMENSIONS FOR
6'8" X 3'0" DOOR

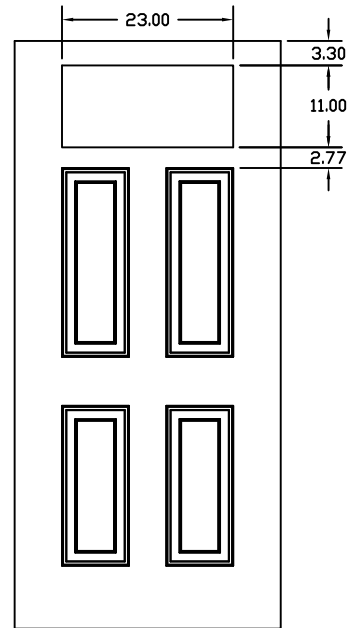
NOTE: FOR 7'0" DOORS, THE EXTRA
HEIGHT IS DIVIDED EQUALLY
BETWEEN THE TOP AND BOTTOM
EMBOSSMENT LOCATION



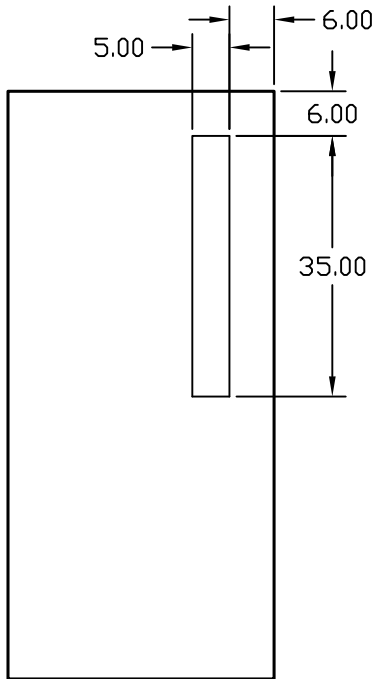
LT101
GLASS-21"X64"
CUTOUT-22"X65"



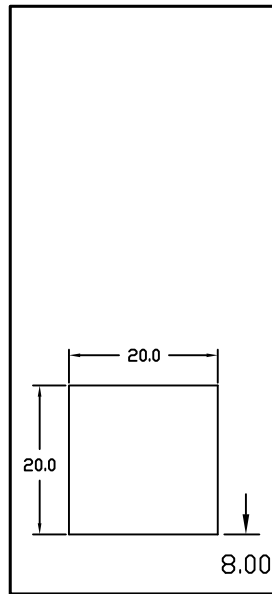
LT102
GLASS-22"X10"
CUTOUT-23"X11"



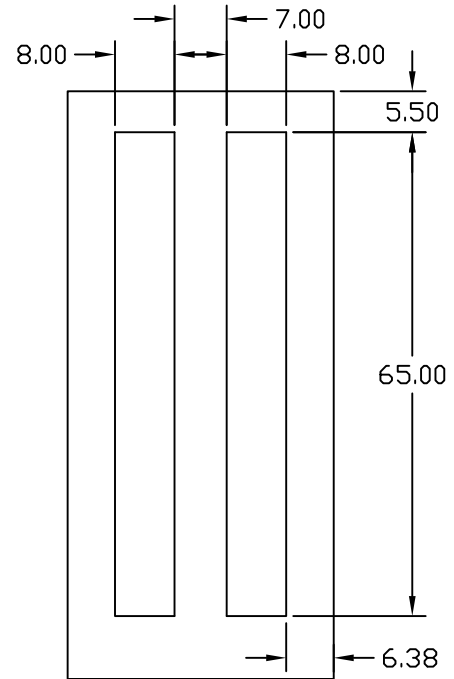
LT103
GLASS-22"X10"
CUTOUT-23"X11"



LT104
CUTOUT-5"X35"



LT105
LOUVER
CUTOUT-20"X20"



LT106
(2) GLASS-7"X64"
(2) CUTOUT-8"X65"

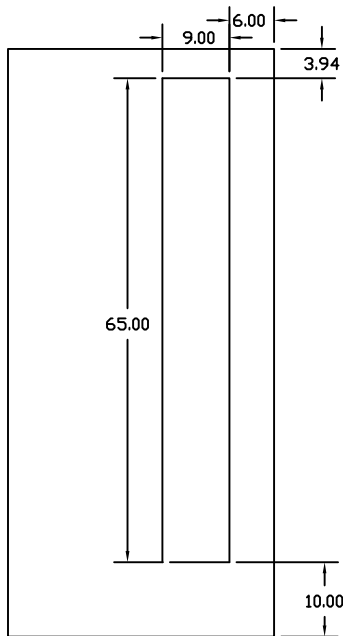


UP TO 7'0" DOOR HEIGHT
LITE CUTOUT DIMENSIONAL
DETAIL

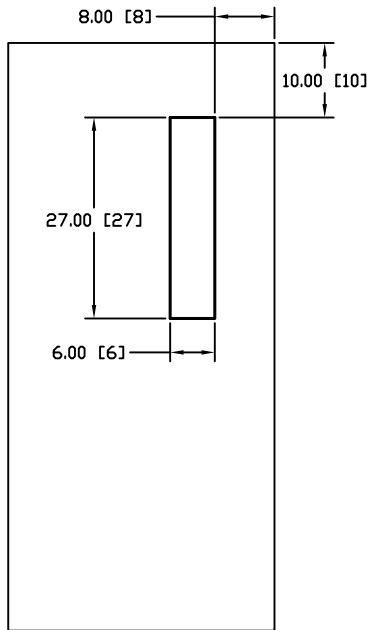
DWG#	II-26L
DATE	9-7-18
NAME	KRB
SECTION	II
PAGE	261

NOTE: ALL DIMENSIONS FOR
6'8" X 3'0" DOOR

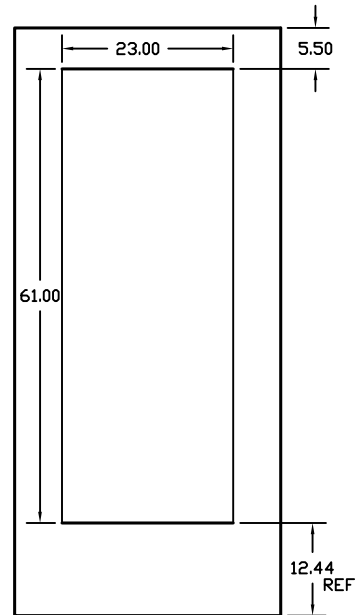
NOTE: FOR 7'0" DOORS, THE EXTRA
HEIGHT IS DIVIDED EQUALLY
BETWEEN THE TOP AND BOTTOM
EMBOSSMENT LOCATION



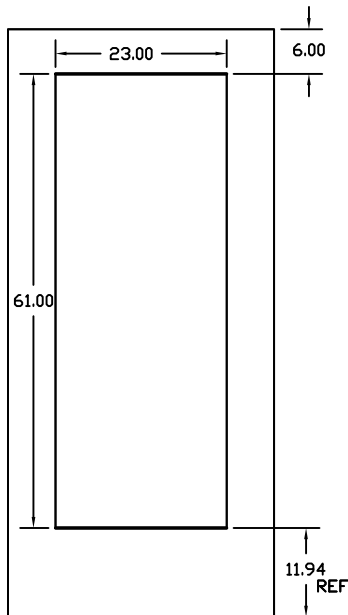
LT107
GLASS-8"X64"
CUTOUT-9"X65"



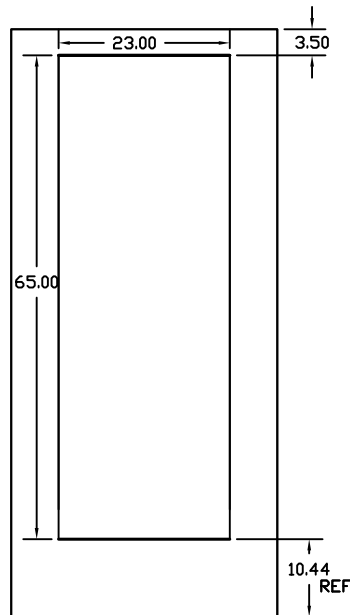
LT108
GLASS-4" X 25"
CUTOUT-6" X 27"



LT110
GLASS-22"X60"
CUTOUT-23"X61"



LT112
GLASS-22"X60"
CUTOUT-23"X61"



LT113
GLASS-22"X64"
CUTOUT-23"X65"

LT109
8'0" DOOR OPTION
PAGE II-25

LT111
8'0" DOOR OPTION
PAGE II-25



UP TO 7'0" DOOR HEIGHT
LITE CUTOUT DIMENSIONAL
DETAIL

DWG#	II-26M
DATE	6-6-22
NAME	KRB
SECTION	II
PAGE	26M