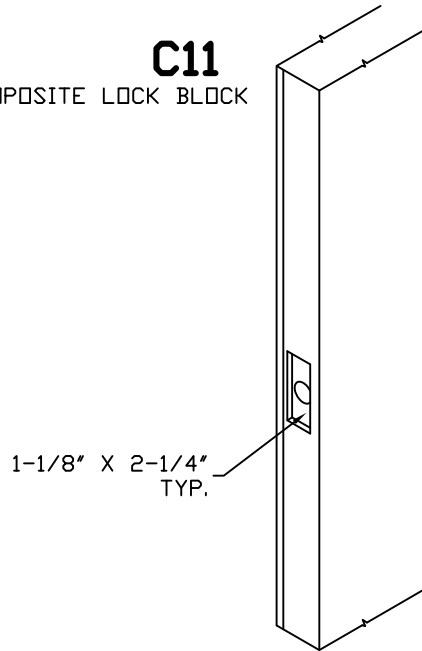


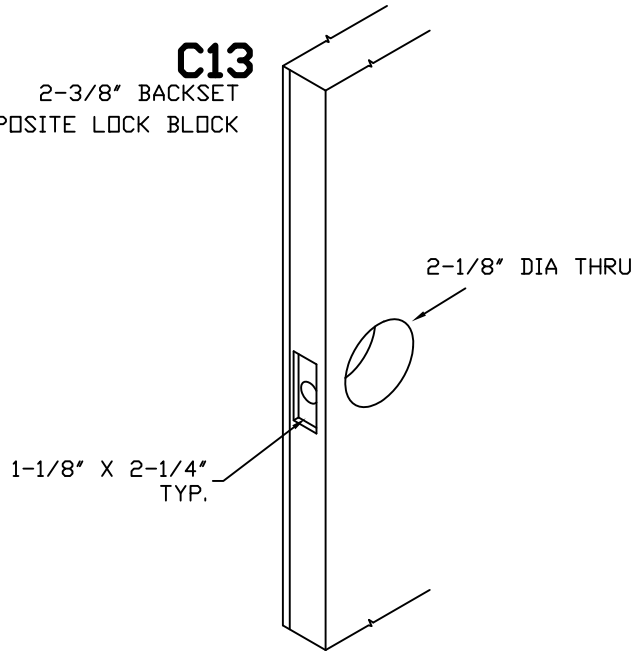
LOCK PREPS FOR LIGHT COMMERCIAL

Edge Prep Description(No. Edge Preps x 1-1/8" Width x Lock Prep Ht.)	Lock Face Bore	Deadbolt Face Bore	Backset	Center to Center of Preps	Prep #	Lock Reinforcement	Lock Block: Composite (C) or Wood (W)	DWG Pg #
1 - 1-1/8" x 2-1/4"					C11	45100010	C-SNG	II-43
1 - 1-1/8" x 2-1/4"	2-1/8		2-3/8		C13	45100016	C-SNG	II-43
1 - 1-1/8" x 2-1/4"	2-1/8		2-3/4		C09	45100018	C-SNG	II-43
2 - 1-1/8" x 2-1/4"				4	C17	45000010	C-SNG	II-43
2 - 1-1/8" x 2-1/4"	2-1/8		2-3/8	4	C16	45000014	C-SNG	II-44
2 - 1-1/8" x 2-1/4"	2-1/8		2-3/4	4	C15	45000012	C-SNG	II-44
2 - 1-1/8" x 2-1/4"	2-1/8	1-1/2	2-3/8	4	C04	45000011	W	II-44
2 - 1-1/8" x 2-1/4"	2-1/8	1-1/2	2-3/4	4	C03	45000019	W	II-44
2 - 1-1/8" x 2-1/4"	2-1/8	2-1/8	2-3/8	4	C08	45000013	C-SNG	II-45
2 - 1-1/8" x 2-1/4"	2-1/8	2-1/8	2-3/4	4	C07	45000029	C-SNG	II-45
2 - 1-1/8" x 2-1/4"				5-1/2	C12	45100010	C	II-45
2 - 1-1/8" x 2-1/4"	2-1/8		2-3/8	5-1/2	C14	45100016	C	II-45
2 - 1-1/8" x 2-1/4"	2-1/8		2-3/4	5-1/2	C10	44000101	C	II-46
2 - 1-1/8" x 2-1/4"	2-1/8	1-1/2	2-3/8	5-1/2	C02	45100017	W	II-46
2 - 1-1/8" x 2-1/4"	2-1/8	1-1/2	2-3/4	5-1/2	C01	45100015	W	II-46
2 - 1-1/8" x 2-1/4"	2-1/8	2-1/8	2-3/8	5-1/2	C06	45100014	C	II-46
2 - 1-1/8" x 2-1/4"	2-1/8	2-1/8	2-3/4	5-1/2	C05	44000102	C	II-47
2 - 1-1/8" x 2-1/4"	2-1/8		2-3/4		C60		C	II-47

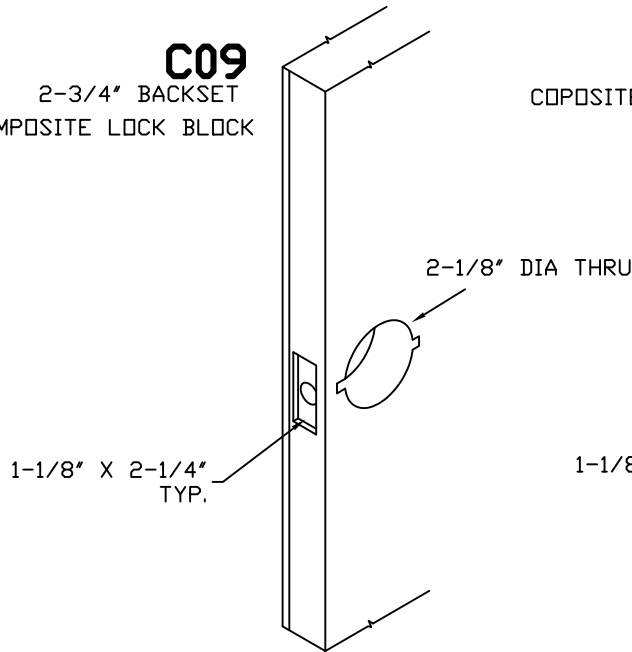
C11
COMPOSITE LOCK BLOCK



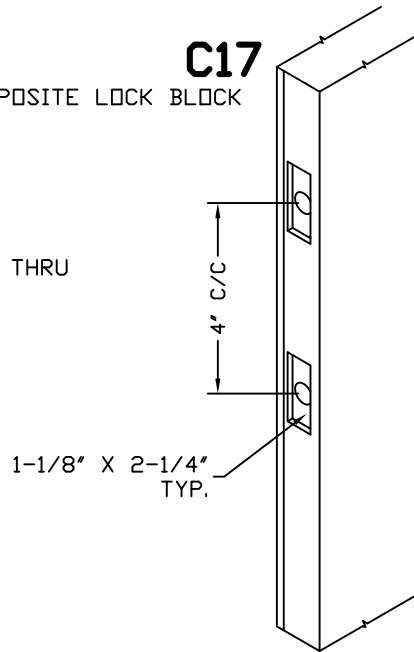
C13
2-3/8" BACKSET
COMPOSITE LOCK BLOCK



C09
2-3/4" BACKSET
COMPOSITE LOCK BLOCK



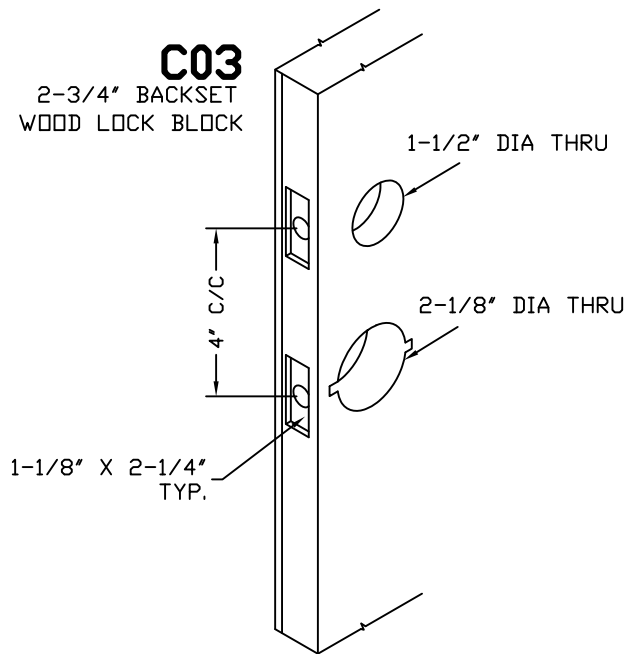
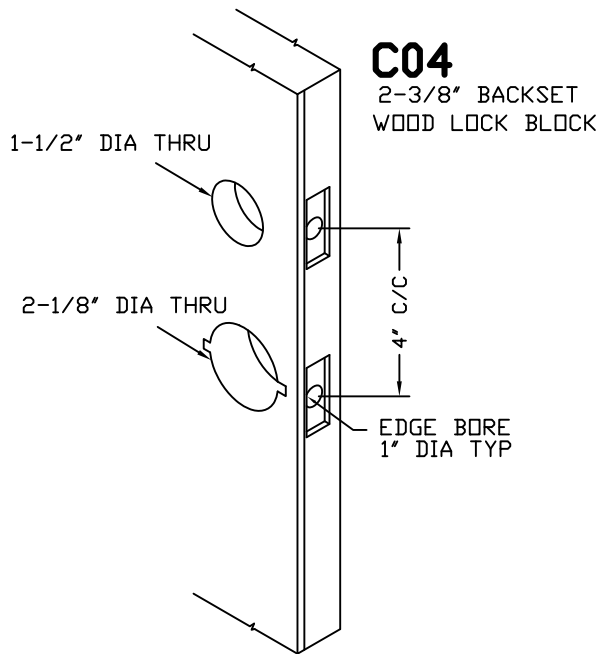
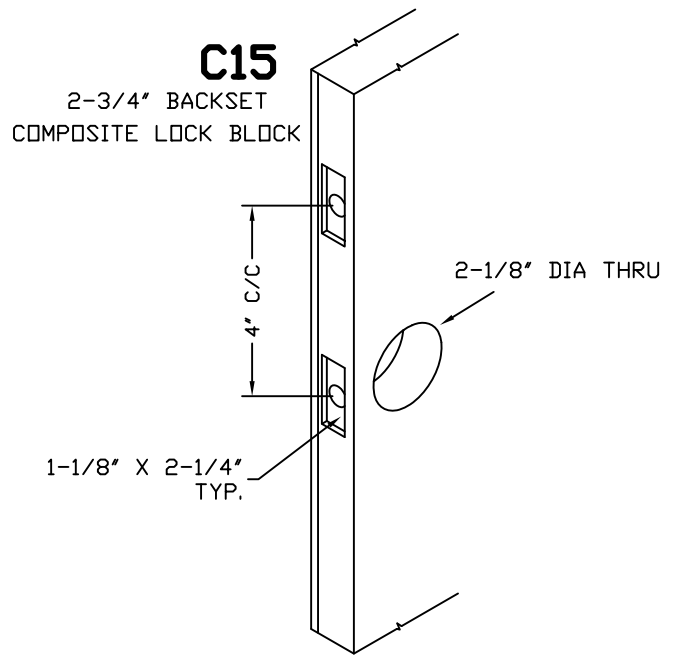
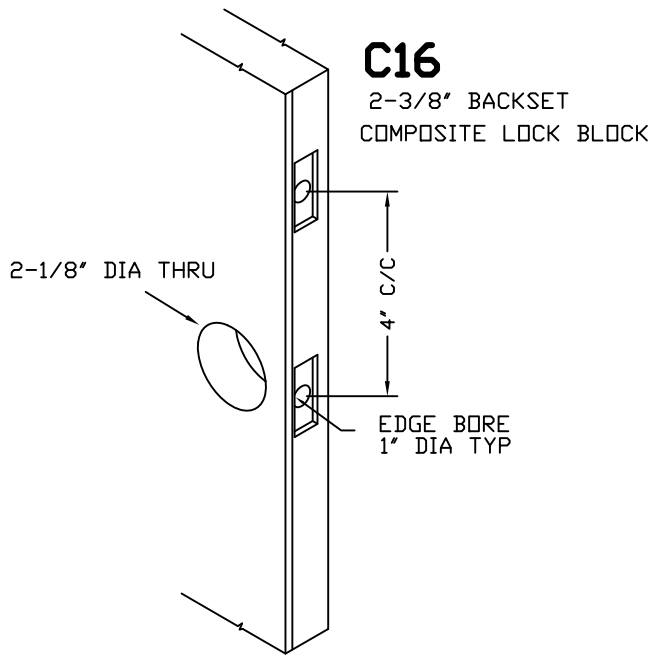
C17
COMPOSITE LOCK BLOCK



AMERICA'S DOORMAKER

LIGHT COMMERCIAL EDGE PREP
FOR STEEL DOORS

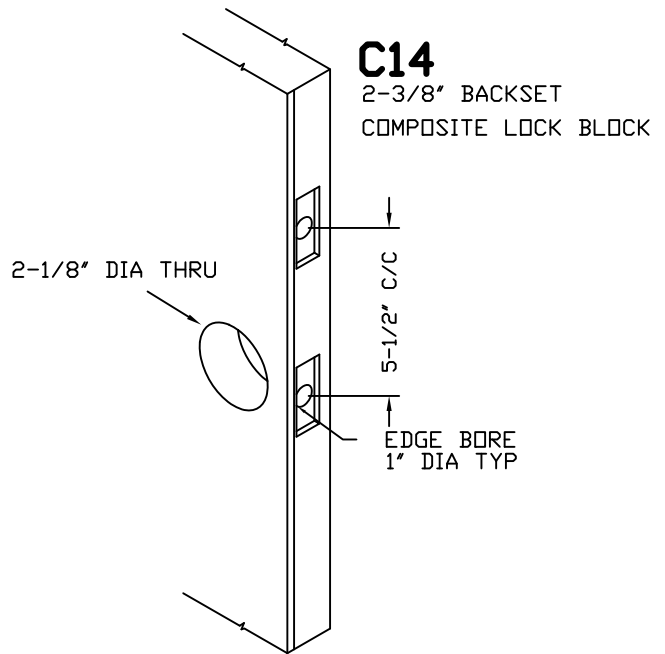
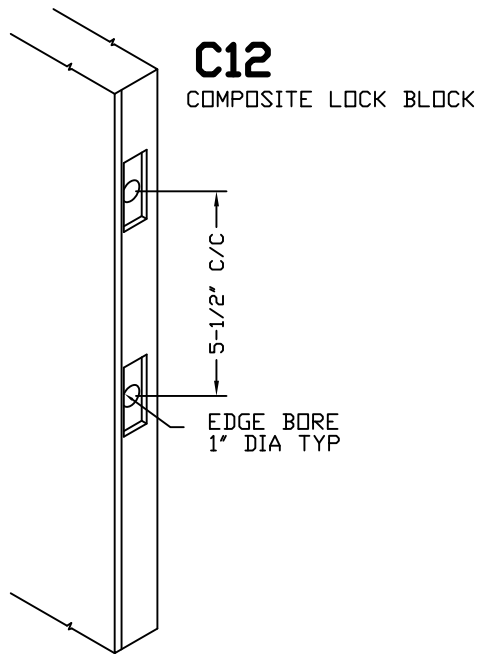
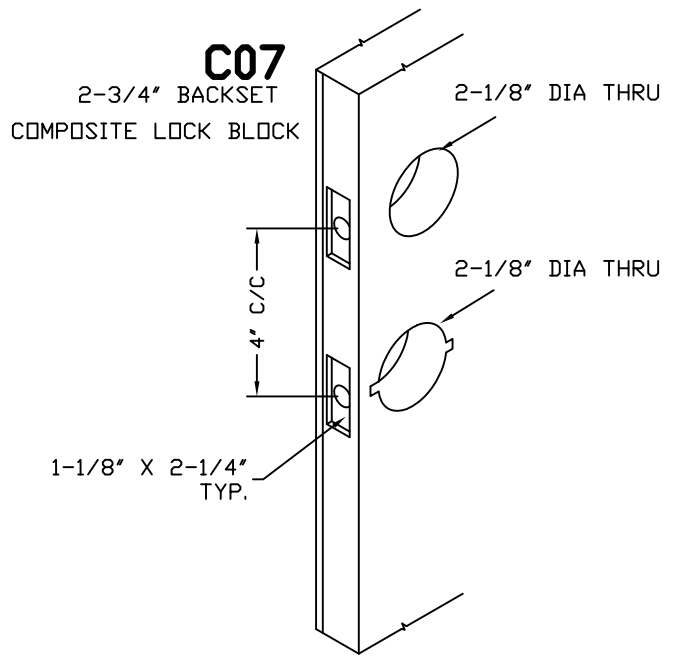
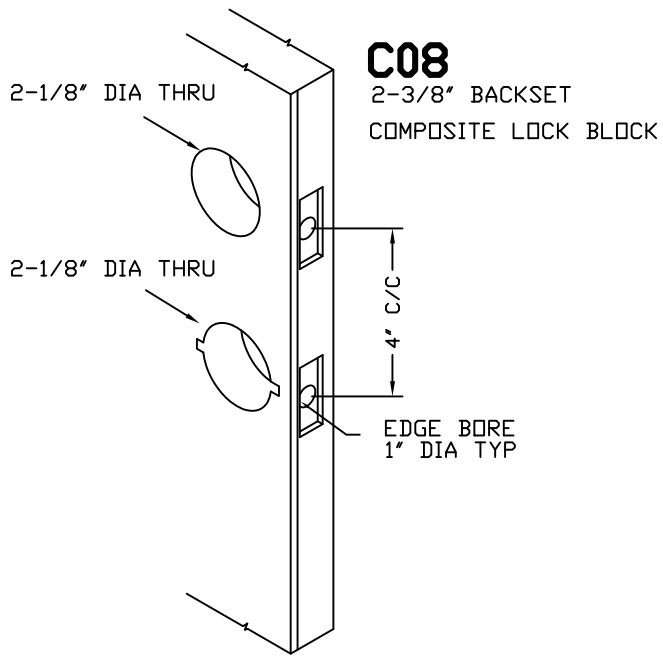
DWG#	II-43
DATE	10-30-06
NAME	MJP
SECTION	II
PAGE	43



AMERICA'S DOORMAKER

LIGHT COMMERCIAL EDGE PREP
FOR STEEL DOORS

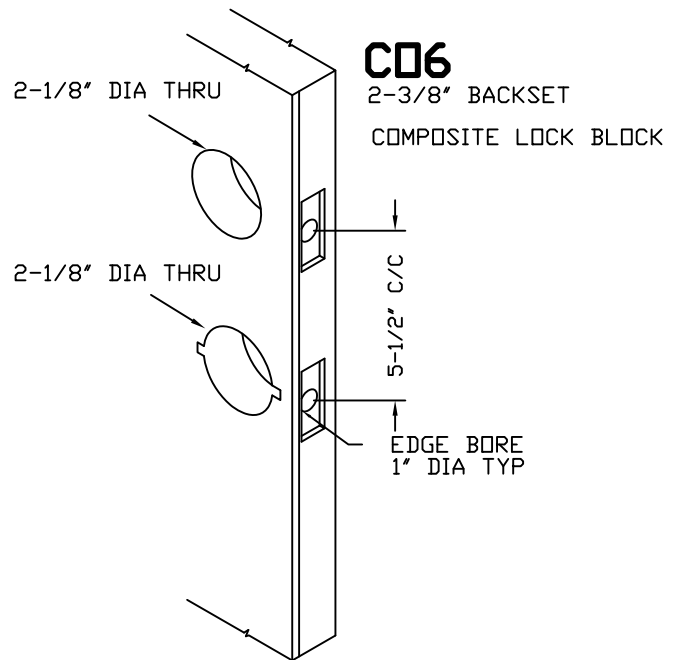
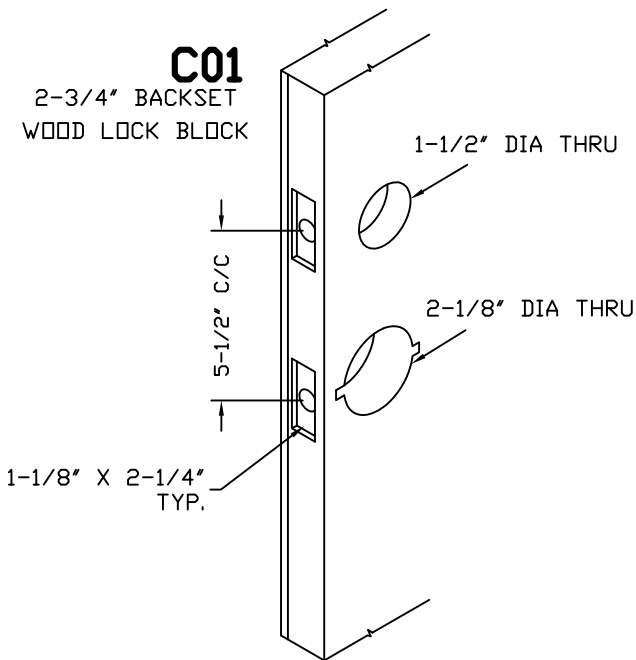
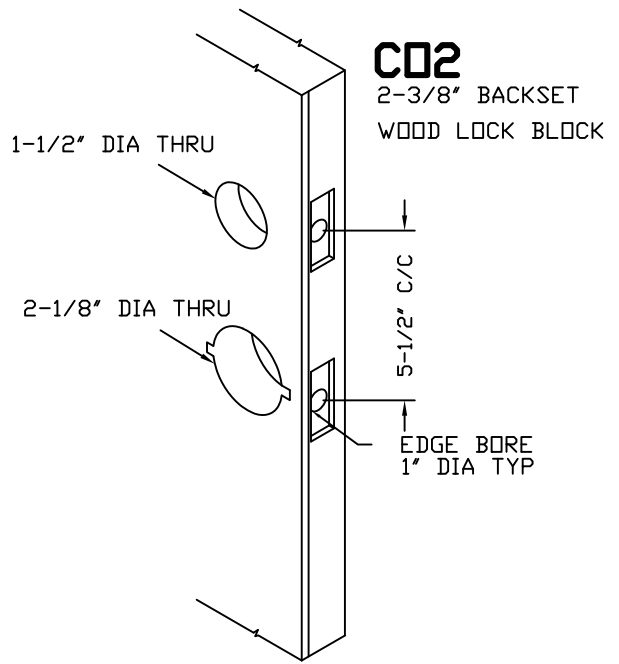
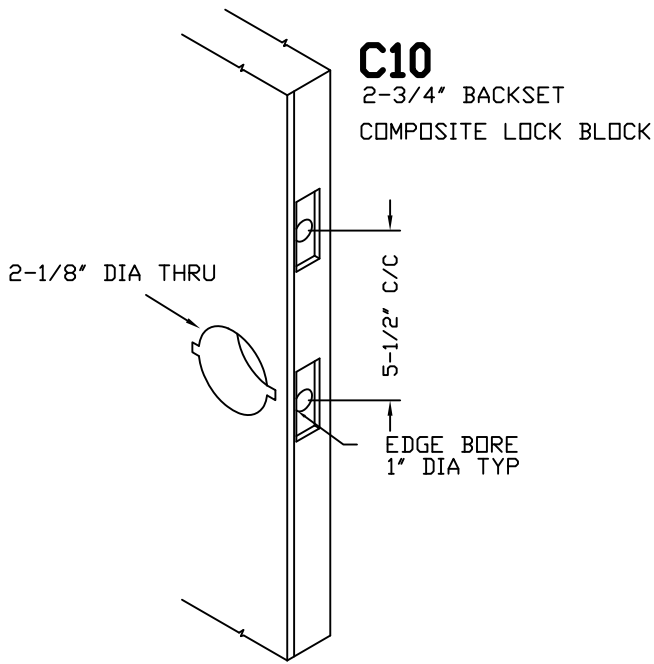
DWG#	II-44
DATE	10-30-06
NAME	MJP
SECTION	II
PAGE	44



AMERICA'S DOORMAKER

LIGHT COMMERCIAL EDGE PREP
FOR STEEL DOORS

DWG#	II-45
DATE	10-30-06
NAME	MJP
SECTION	II
PAGE	45

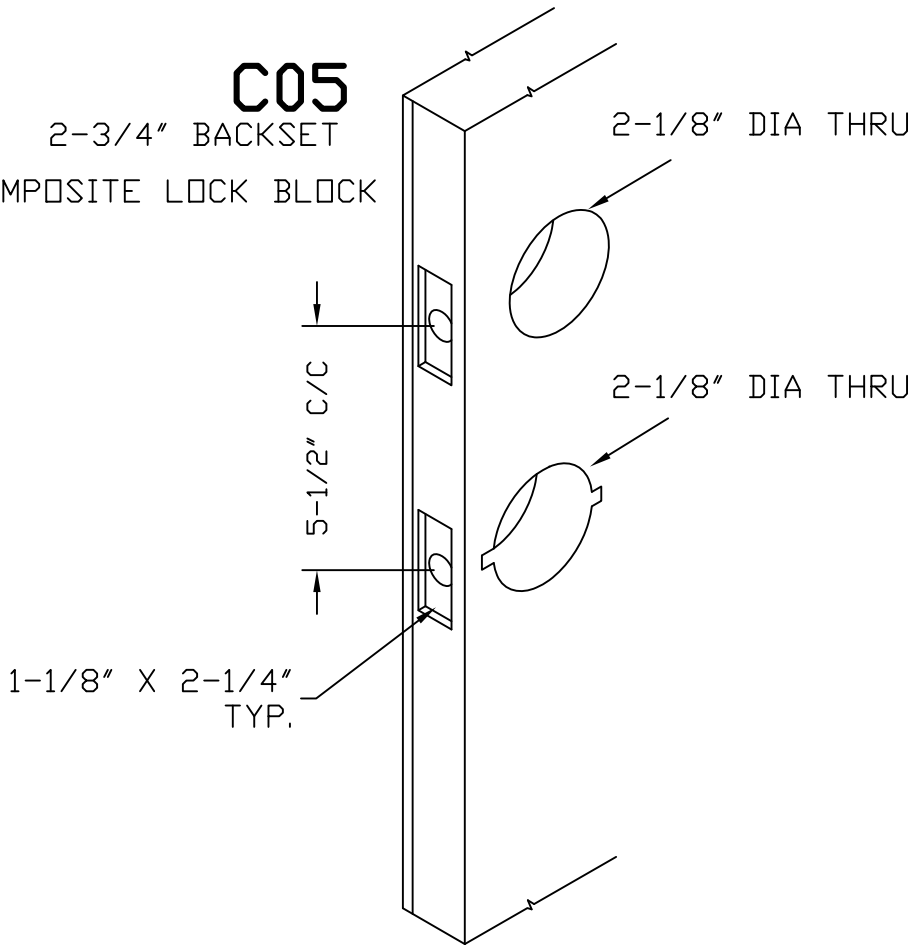


AMERICA'S DOORMAKER

LIGHT COMMERCIAL EDGE PREP
FOR STEEL DOORS

DWG#	II-46
DATE	7-15-05
NAME	MJP
SECTION	II
PAGE	46

C05
 2-3/4" BACKSET
 COMPOSITE LOCK BLOCK

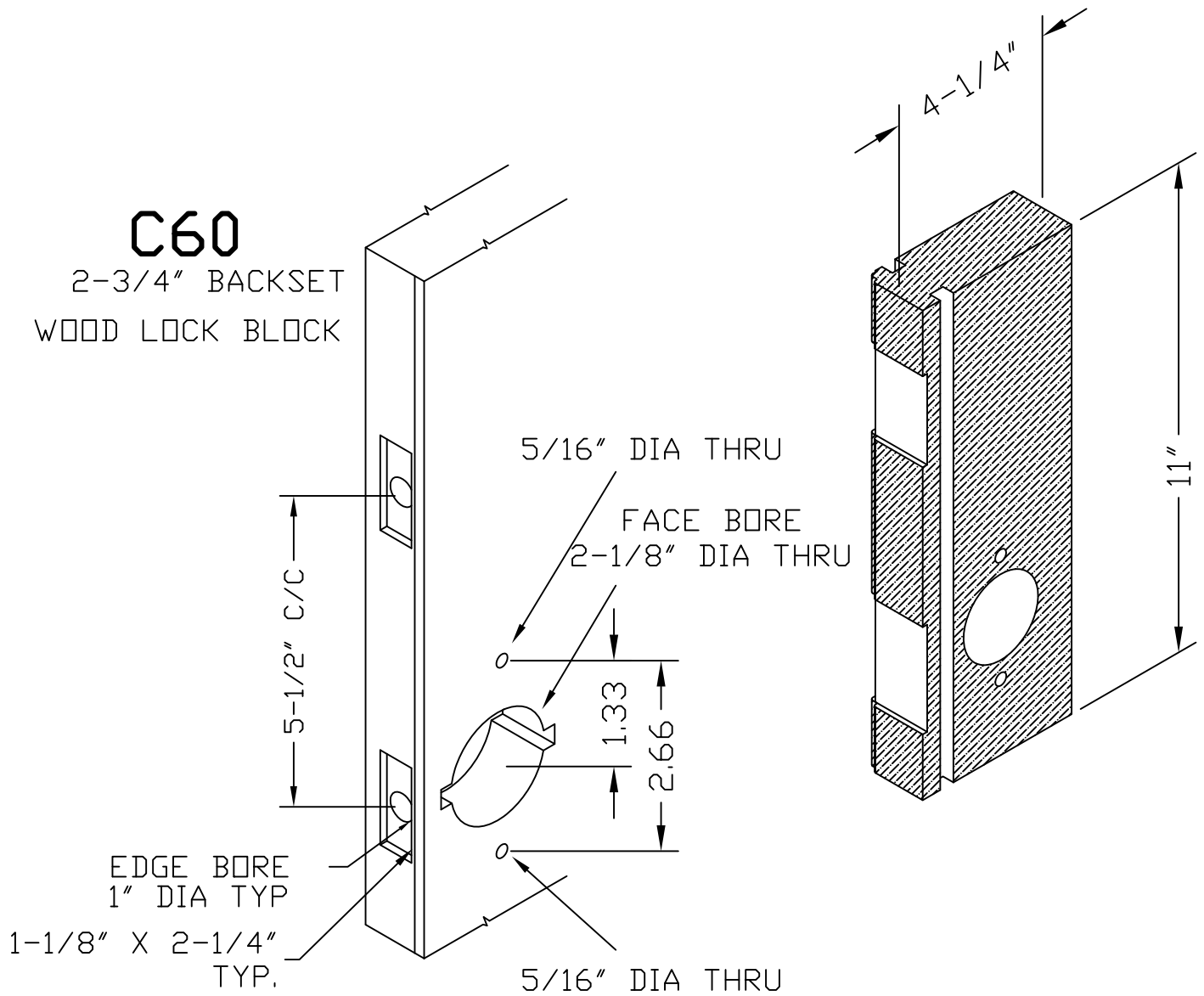


AMERICA'S DOORMAKER

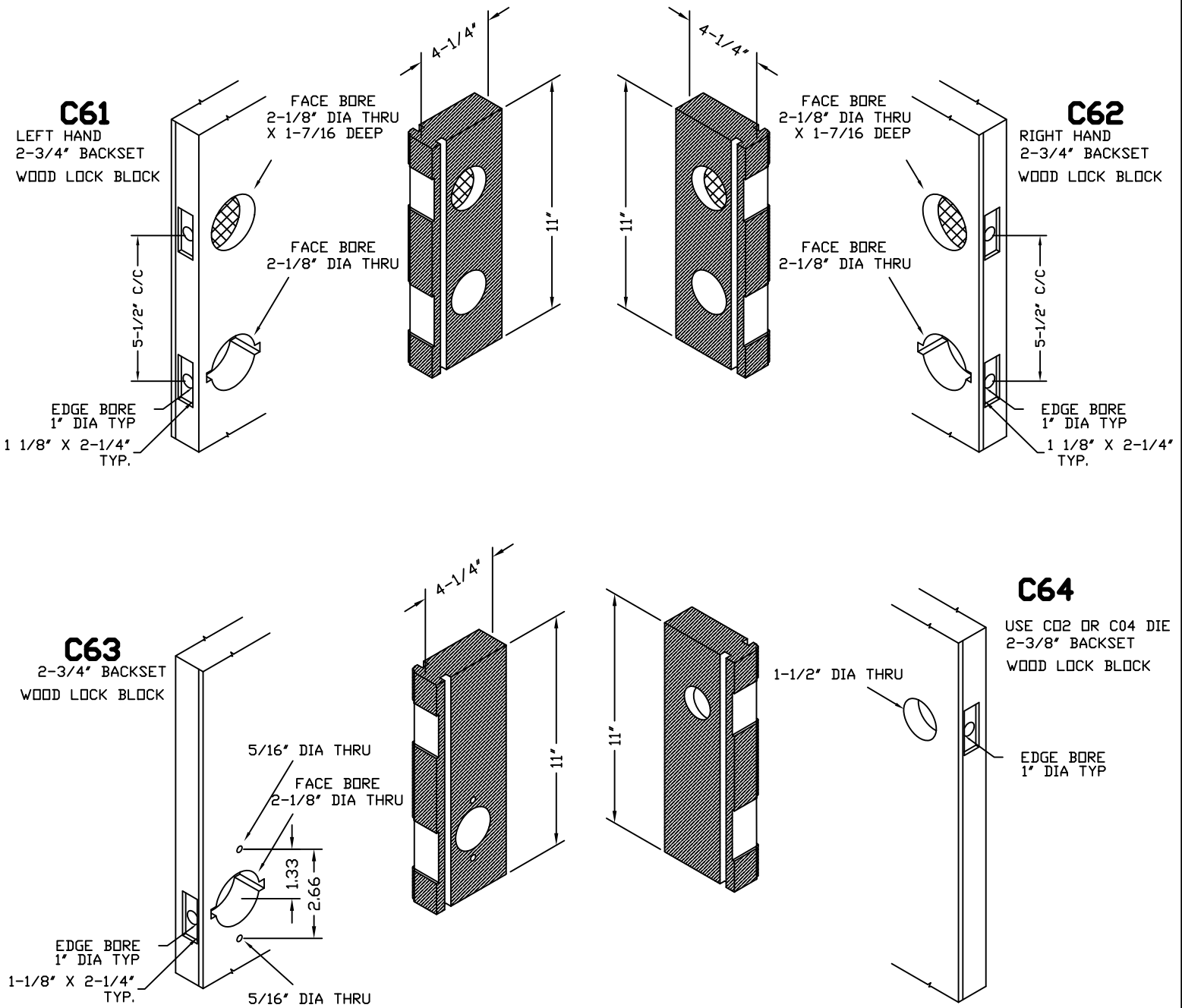
LIGHT COMMERCIAL EDGE PREP
 FOR STEEL DOORS

DWG#	II-47
DATE	7-09-07
NAME	MJP
SECTION	II
PAGE	47

C60
 2-3/4" BACKSET
 WOOD LOCK BLOCK



DWG#	II-47A
DATE	7-09-07
NAME	MJP
SECTION	II
PAGE	47A

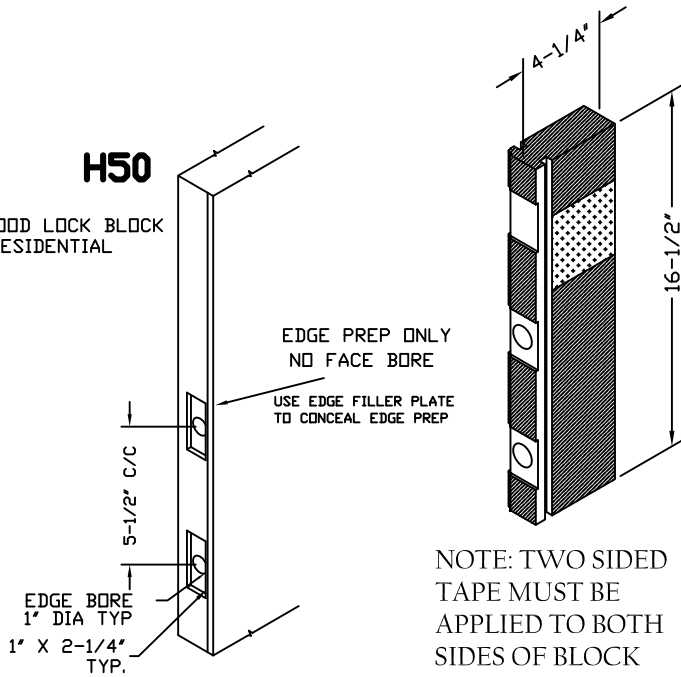


AMERICA'S DOORMAKER

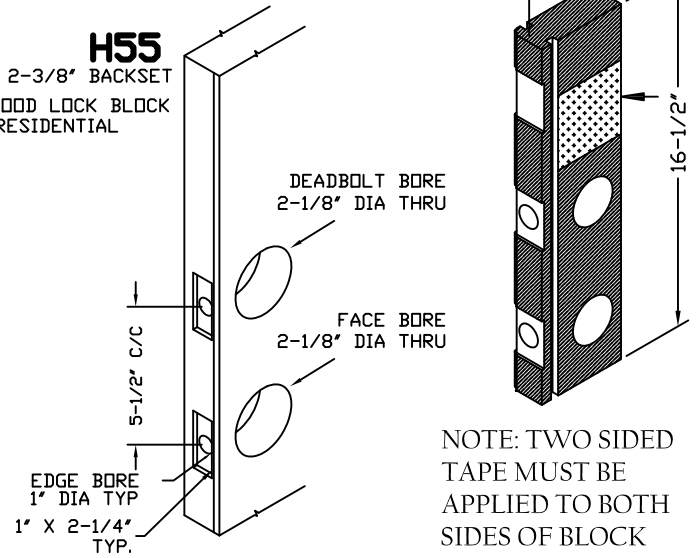
COMMERCIAL LOCK PREPS
FOR STEEL DOORS

DWG#	II-47B
DATE	8-8-22
NAME	KRB
SECTION	II
PAGE	47A

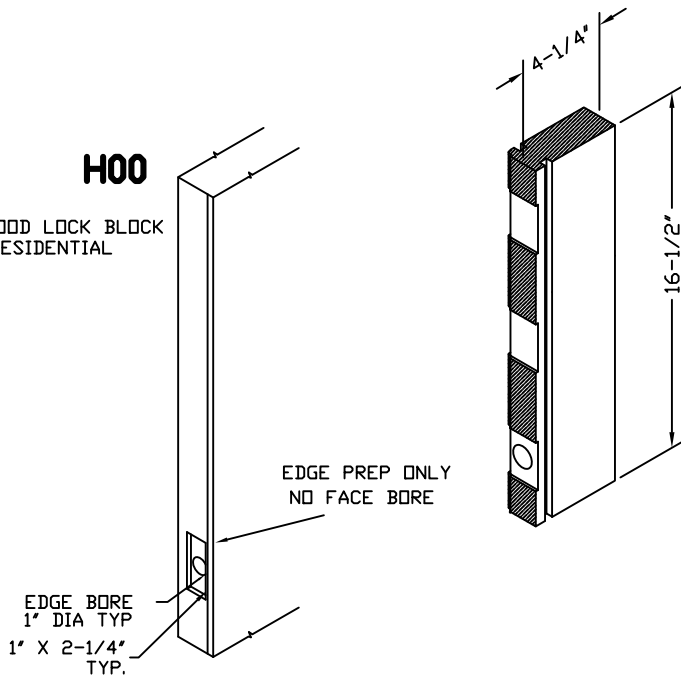
H50
WOOD LOCK BLOCK
RESIDENTIAL



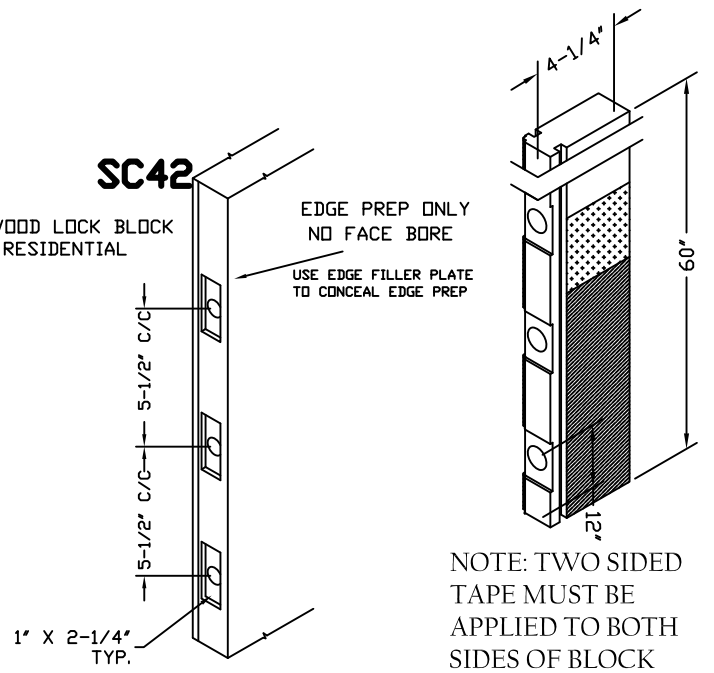
H55
2-3/8" BACKSET
WOOD LOCK BLOCK
RESIDENTIAL



H00
WOOD LOCK BLOCK
RESIDENTIAL

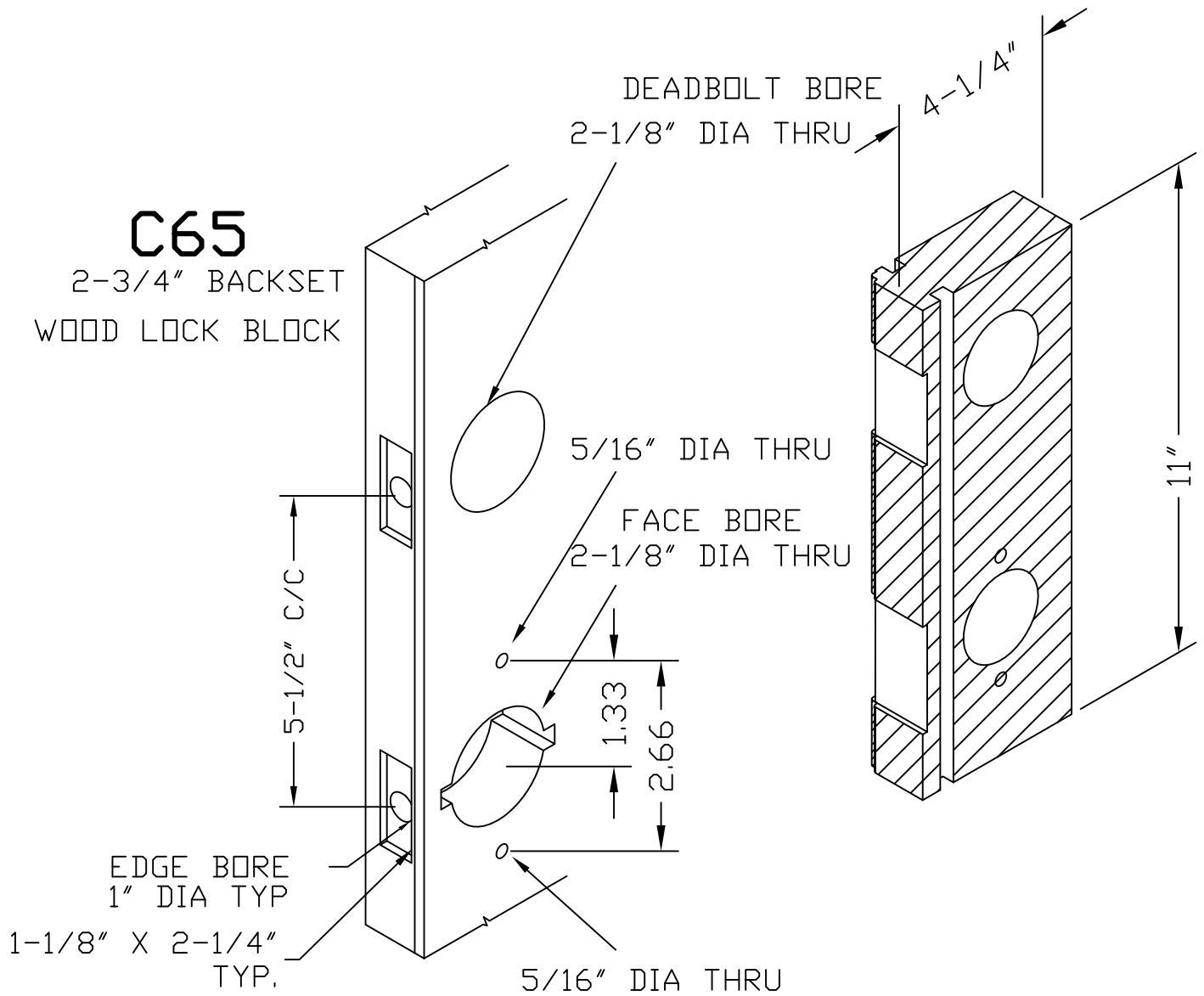


SC42
WOOD LOCK BLOCK
RESIDENTIAL



DWG#	II-47C
DATE	5-19-08
NAME	MJP
SECTION	II
PAGE	47C

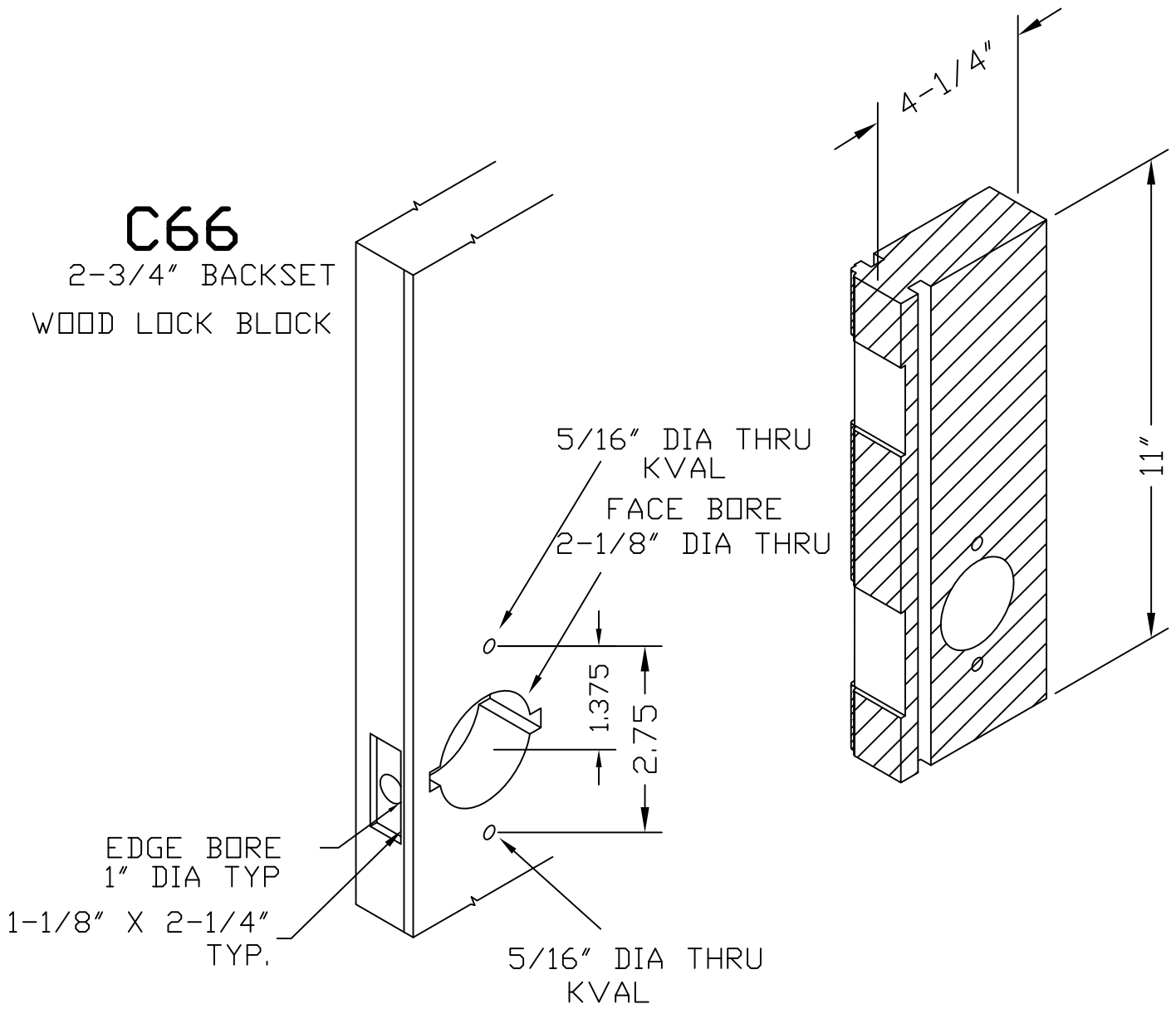
C65
 2-3/4" BACKSET
 WOOD LOCK BLOCK



COMMERCIAL LOCK PREPS
 FOR STEEL DOORS

DWG#	II-47D
DATE	4-23-08
NAME	MJP
SECTION	II
PAGE	47A

C66
 2-3/4" BACKSET
 WOOD LOCK BLOCK



AMERICA'S DOORMAKER

COMMERCIAL LOCK PREPS
 FOR STEEL DOORS

DWG#	II-47E
DATE	6-28-21
NAME	KRB
SECTION	II
PAGE	47E