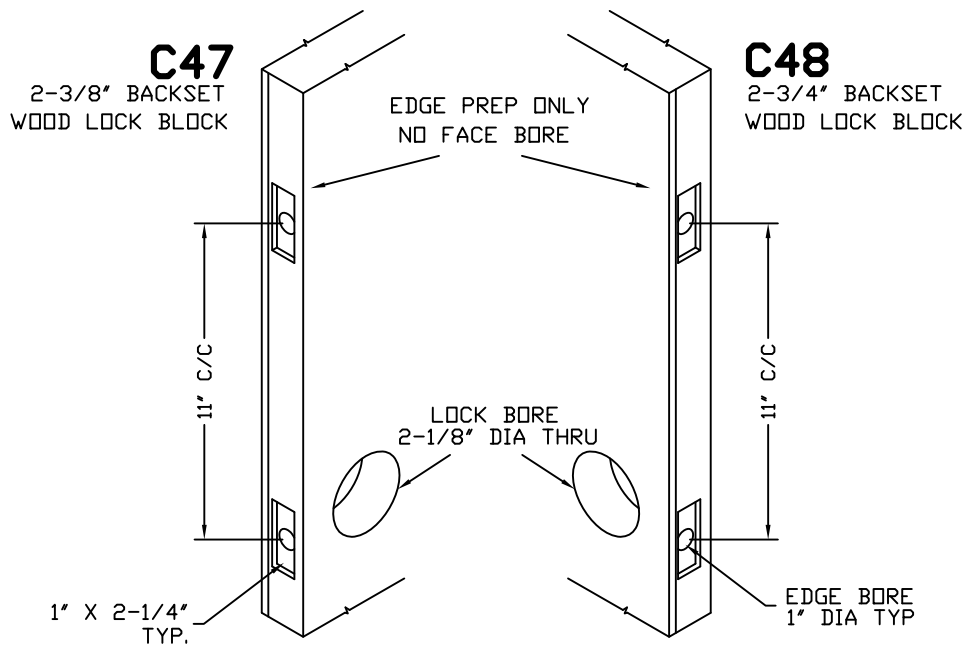
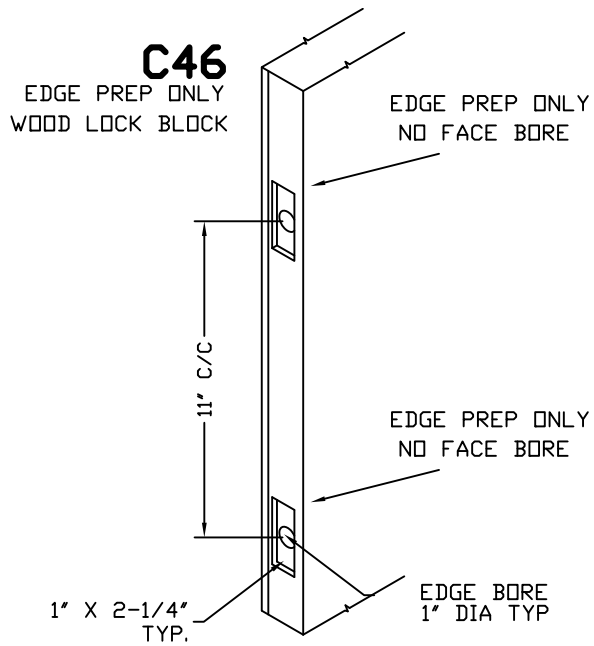


**HURRICANE PREP 11" CENTER to CENTER PREPS**

<b>Edge Prep Description ( No. Edge Preps x 1" Width x Lock Prep Ht.)</b>	<b>Lock Face Bore</b>	<b>Deadbolt Face Bore</b>	<b>Backset</b>	<b>Center to Center of Preps</b>	<b>Prep #</b>	<b>Lock Reinforcement</b>	<b>Lock Block: Composite (C) or Wood (W)</b>	<b>DWG Pg #</b>
2 - 1" x 2-1/4"				11"	C46	45100067	W	II-41
2 - 1" x 2-1/4"	2-1/8		2-3/8	11"	C47	45100068	W	II-41
2 - 1" x 2-1/4"	2-1/8		2-3/4	11"	C48	45100069	W	II-41
2 - 1" x 2-1/4"	2-1/8	2-1/8	2-3/8	11"	C44	45100065	W	II-42
2 - 1" x 2-1/4"	2-1/8	2-1/8	2-3/4	11"	C45	45100066	W	II-42



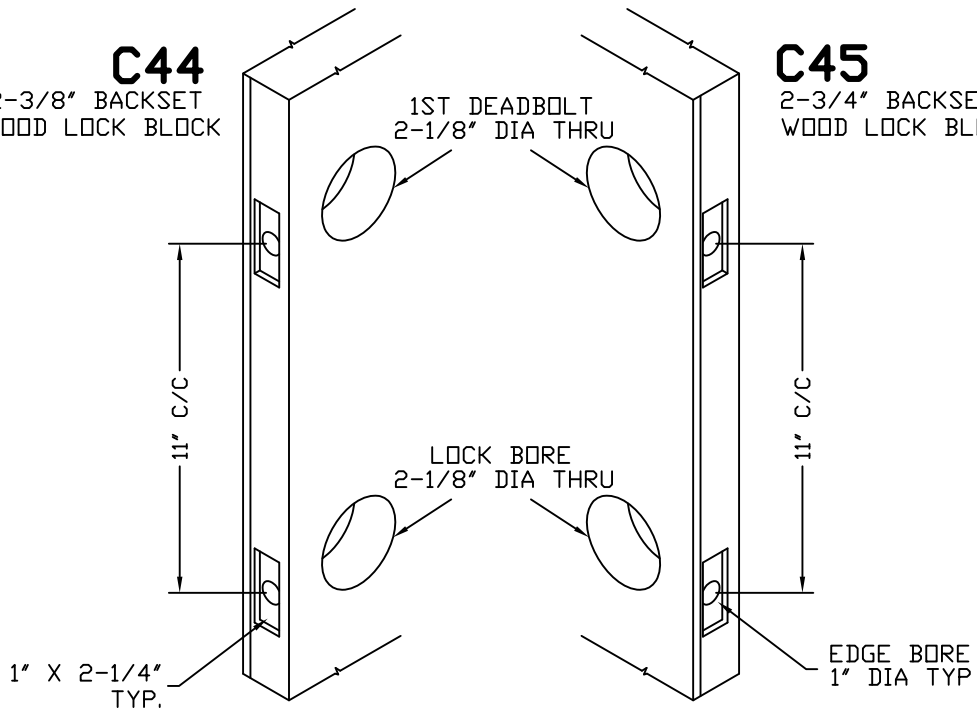
AMERICA'S DOORMAKER

HURRICANE EDGE PREP  
FOR STEEL DOORS

DWG#	II-41
DATE	1-20-05
NAME	MJP
SECTION	II
PAGE	41

**C44**  
2-3/8" BACKSET  
WOOD LOCK BLOCK

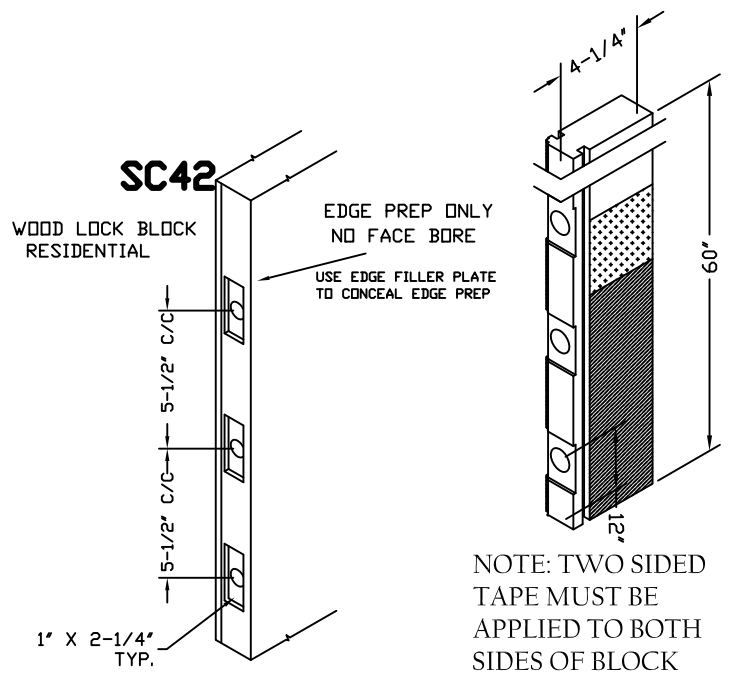
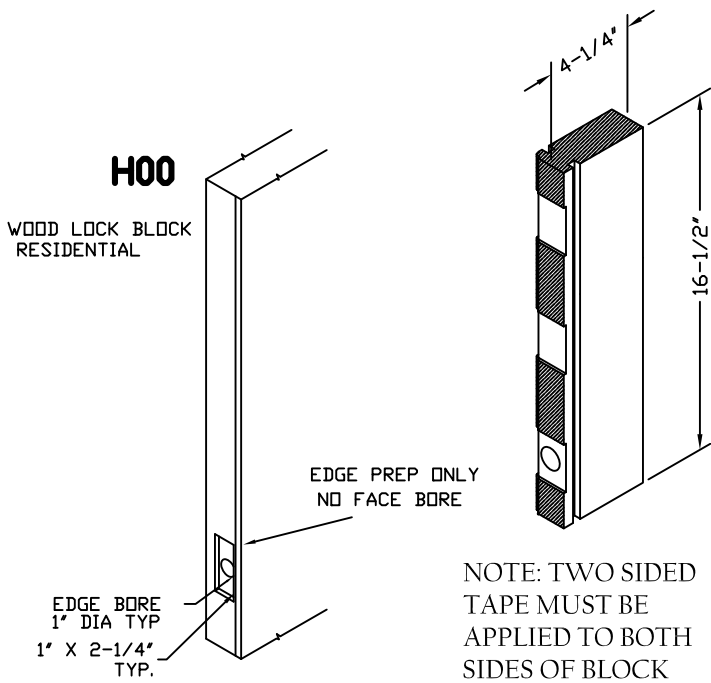
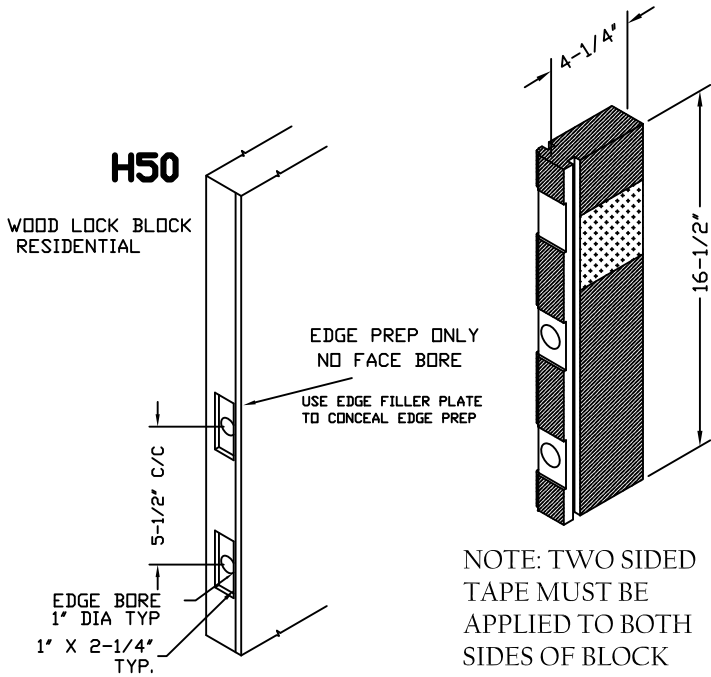
**C45**  
2-3/4" BACKSET  
WOOD LOCK BLOCK

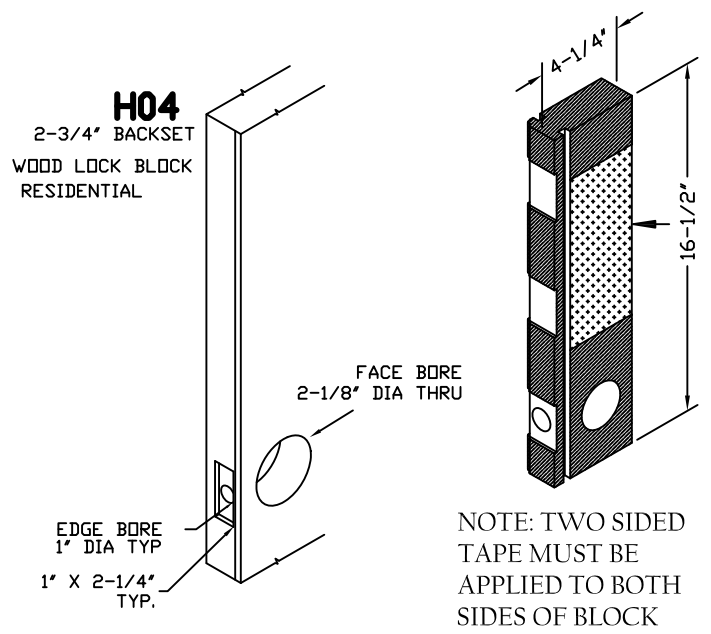
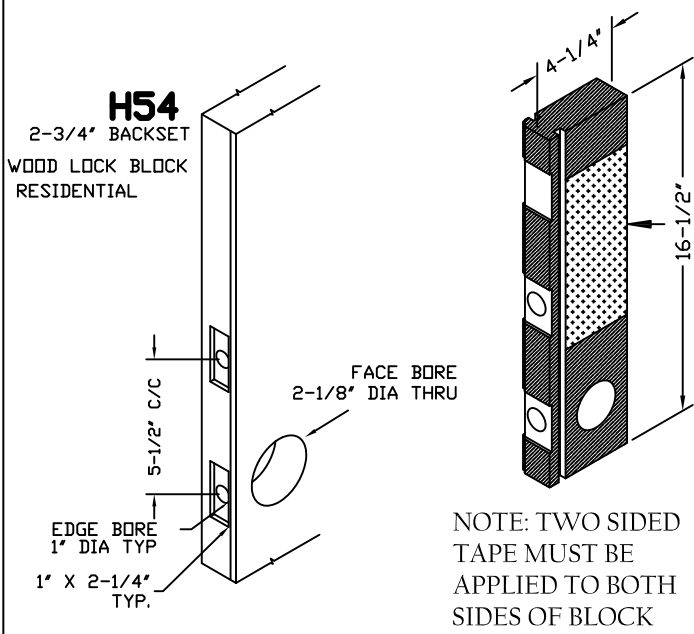
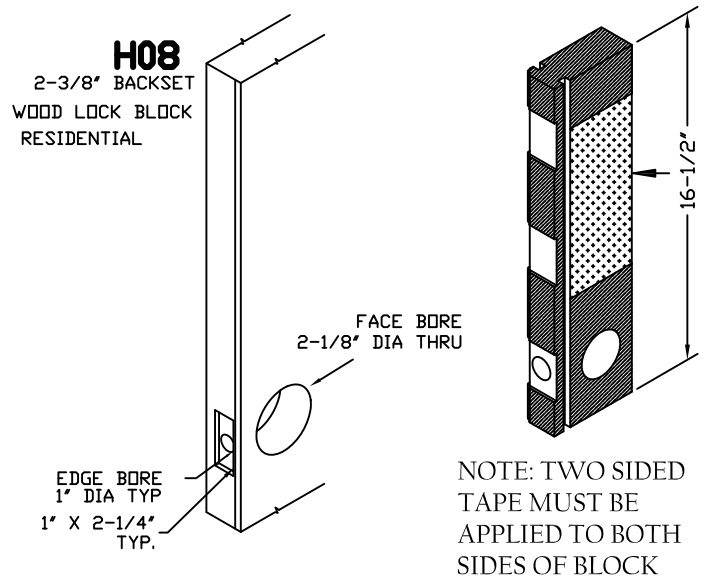
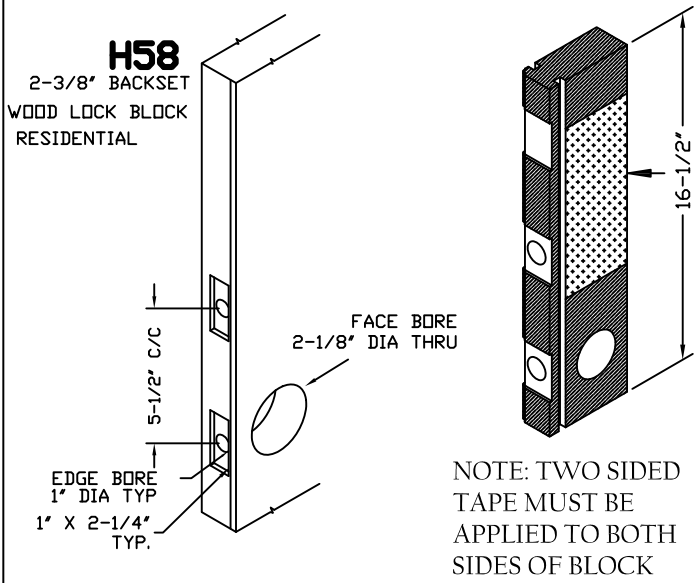


AMERICA'S DOORMAKER

HURRICANE EDGE PREP  
FOR STEEL DOORS

DWG#	II-42
DATE	1-20-05
NAME	MJP
SECTION	II
PAGE	42

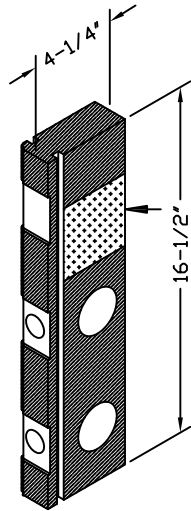
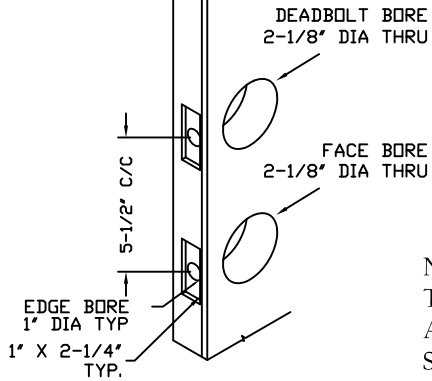




HURRICANE LOCK PREPS  
FOR STEEL DOORS

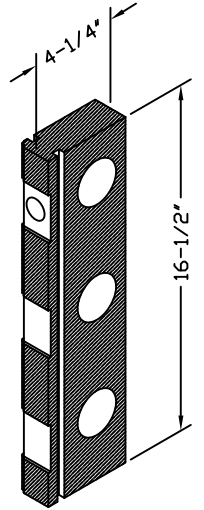
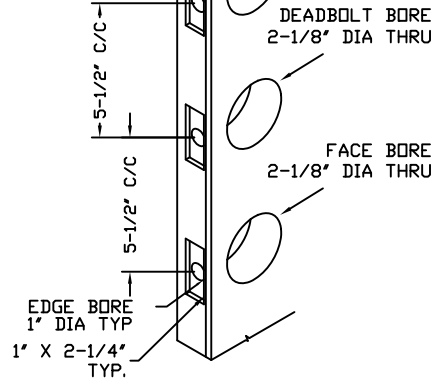
DWG#	II-42B
DATE	8-21-23
NAME	KRB
SECTION	II
PAGE	42B

**H56**  
2-3/4" BACKSET  
WOOD LOCK BLOCK  
RESIDENTIAL

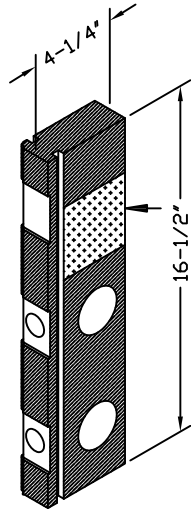
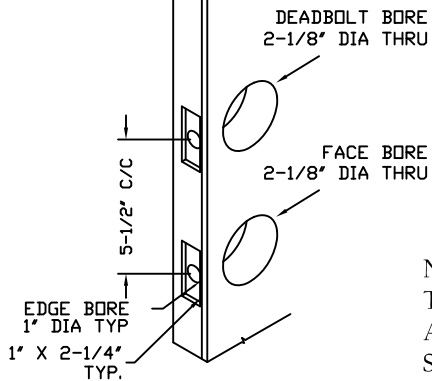


NOTE: TWO SIDED  
TAPE MUST BE  
APPLIED TO BOTH  
SIDES OF BLOCK

**C57**  
2-3/4" BACKSET  
WOOD LOCK BLOCK  
COMMERCIAL

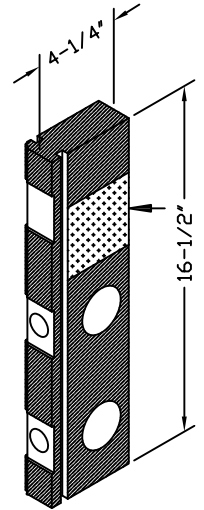
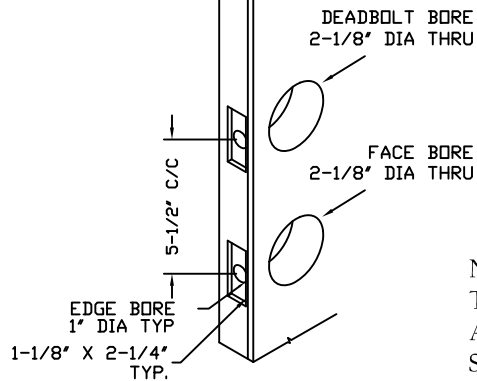


**H55**  
2-3/8" BACKSET  
WOOD LOCK BLOCK  
RESIDENTIAL



NOTE: TWO SIDED  
TAPE MUST BE  
APPLIED TO BOTH  
SIDES OF BLOCK

**HC05**  
2-3/4" BACKSET  
WOOD LOCK BLOCK  
COMMERCIAL



NOTE: TWO SIDED  
TAPE MUST BE  
APPLIED TO BOTH  
SIDES OF BLOCK



AMERICA'S DOORMAKER

HURRICANE LOCK PREPS  
FOR STEEL DOORS

DWG#	II-42A
DATE	8-21-23
NAME	KRB
SECTION	II
PAGE	42A