

LEFT HAND SHOWN  
RIGHT HAND OPPOSITE

LOCK LOCATION

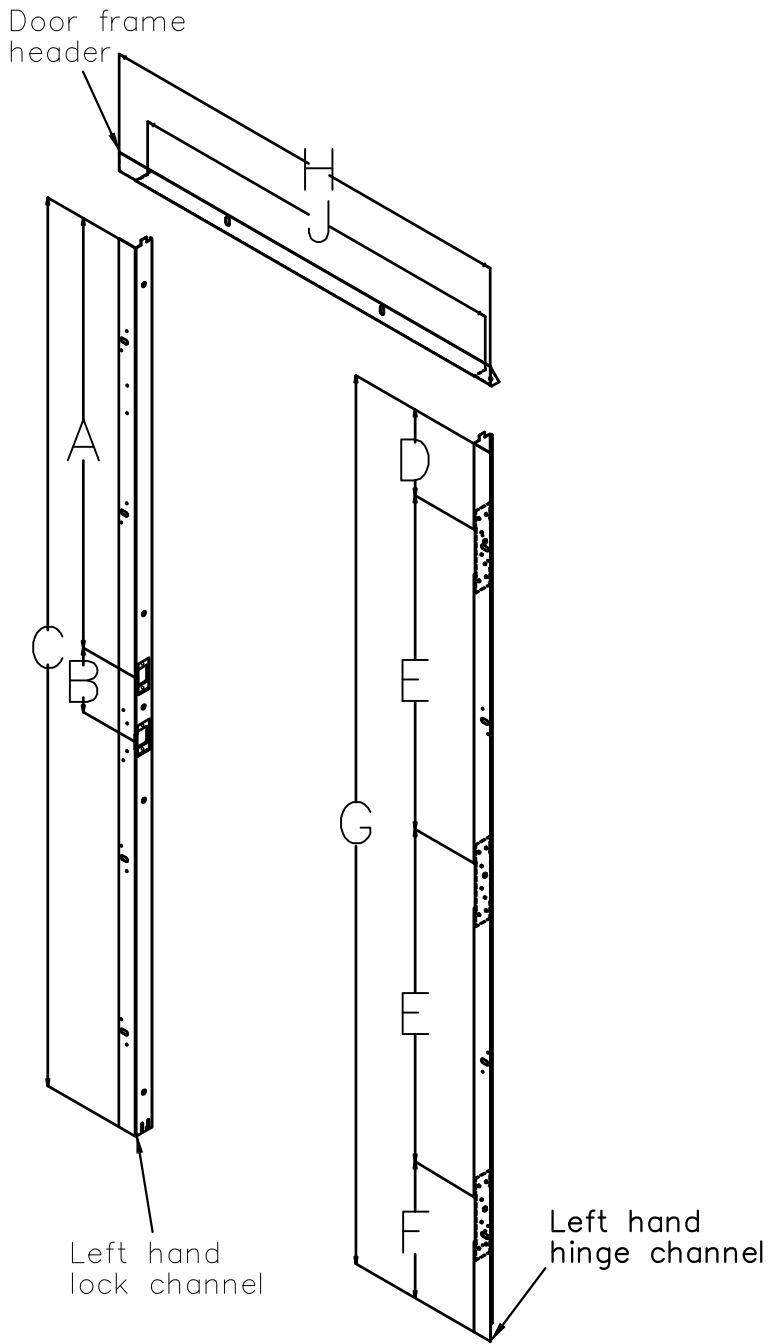
DOOR SIZE	"A" DIM	"B" DIM	"C" DIM
6'5"	38- <sup>13</sup> / <sub>16</sub>	5- <sup>1</sup> / <sub>2</sub>	77- <sup>11</sup> / <sub>16</sub>
6'7"	38- <sup>13</sup> / <sub>16</sub>	5- <sup>1</sup> / <sub>2</sub>	79- <sup>11</sup> / <sub>16</sub>
6'9"	40- <sup>13</sup> / <sub>16</sub>	5- <sup>1</sup> / <sub>2</sub>	81- <sup>11</sup> / <sub>16</sub>
6'11"	40- <sup>13</sup> / <sub>16</sub>	5- <sup>1</sup> / <sub>2</sub>	83- <sup>11</sup> / <sub>16</sub>

HINGE LOCATION

DOOR SIZE	"D" DIM	"E" DIM	"F" DIM	"G" DIM
6'5"	6-1/4	29-15/16	11-19/32	77- <sup>11</sup> / <sub>16</sub>
6'7"	7-23/32	29-15/16	12-3/32	79- <sup>11</sup> / <sub>16</sub>
6'9"	7-23/32	29-15/16	14-3/32	81- <sup>11</sup> / <sub>16</sub>
6'11"	9-23/32	29-15/16	14-3/32	83- <sup>11</sup> / <sub>16</sub>

HEADER DIMENSIONS

DOOR SIZE	"H" DIM	"J" DIM
2'5"	32-7/16"	28 31/32"
2'7"	34-7/16"	30 31/32"
2'9"	36-7/16"	32 31/32"
2'11"	38-7/16"	34 31/32"



AMERICA'S DOORMAKER

PROFESSIONAL REMODELER FRAME  
HINGE & LOCK LOCATION DETAIL

DWG#	VIII-10
DATE	1-15-24
NAME	MJP
SECTION	VIII
PAGE	10