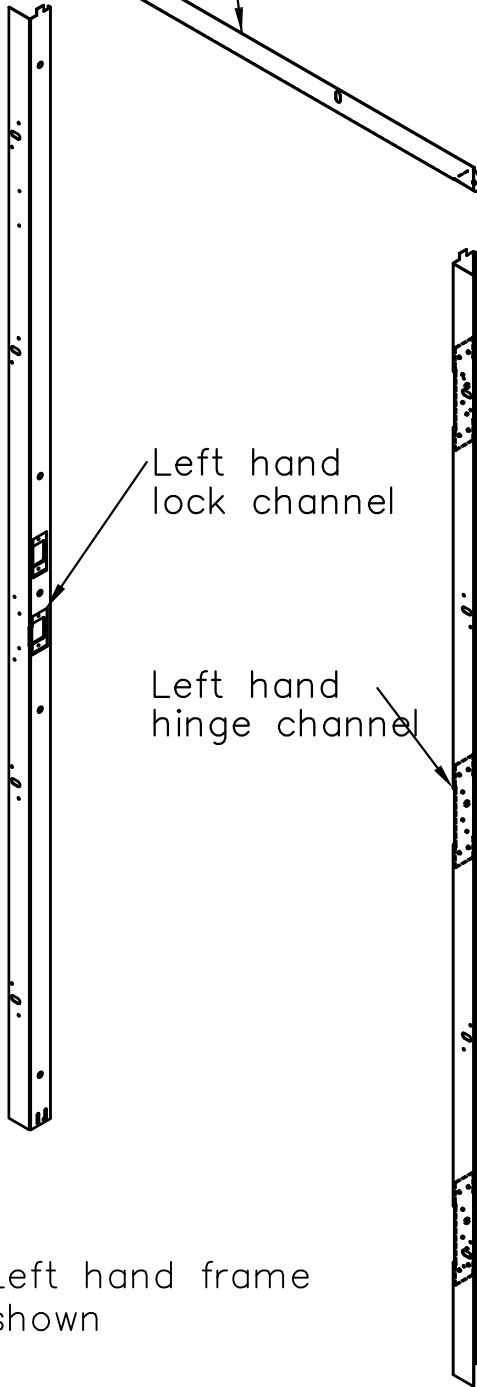
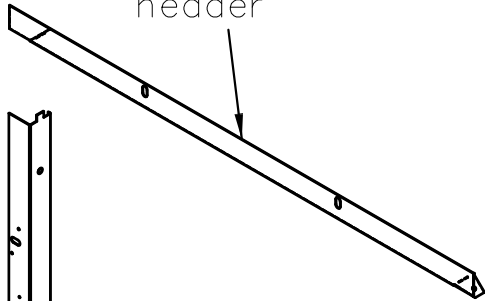


Door frame header

Profiles views are drawn at 8x actual size  
 Detail views are drawn at 4x actual size

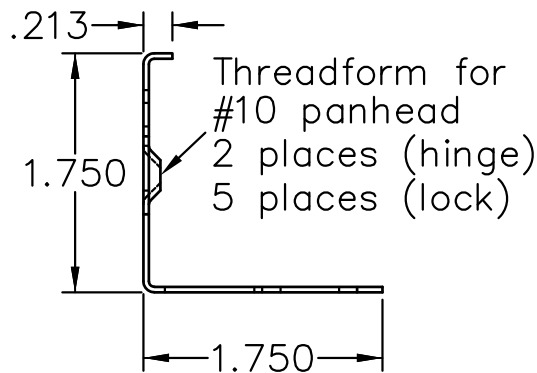


Left hand lock channel

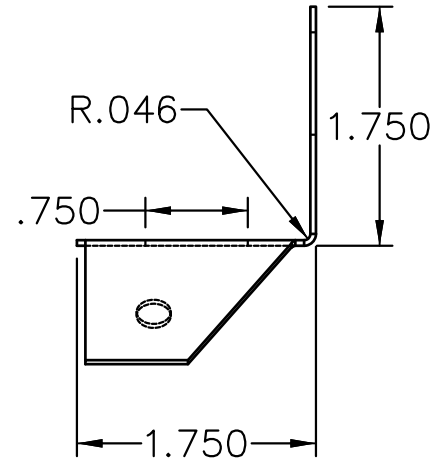
Left hand hinge channel

Left hand frame shown

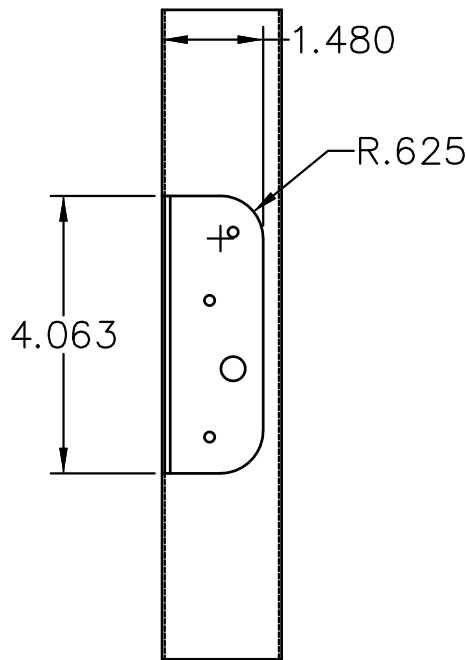
Right hand opposite



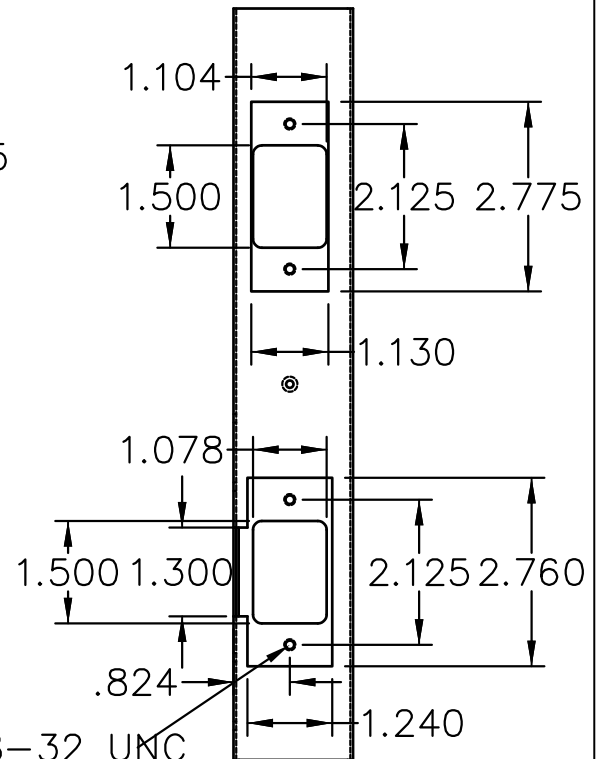
Hinge & Lock profile



Header profile (tabs in partially bent, factory default position)



Hinge details



Lock details

#8-32 UNC  
4 X



AMERICA'S DOORMAKER

PROFESSIONAL REMODELER  
 FRAME DETAIL

DWG#	VII-9
DATE	1-15-24
NAME	MJP
SECTION	VII
PAGE	9