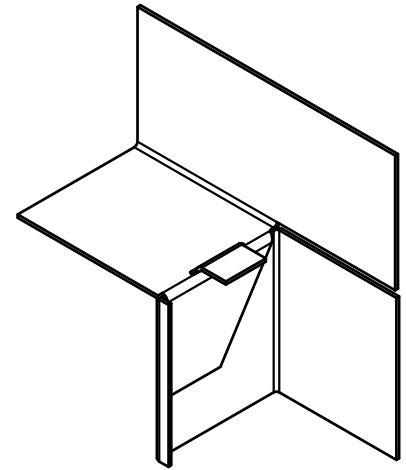
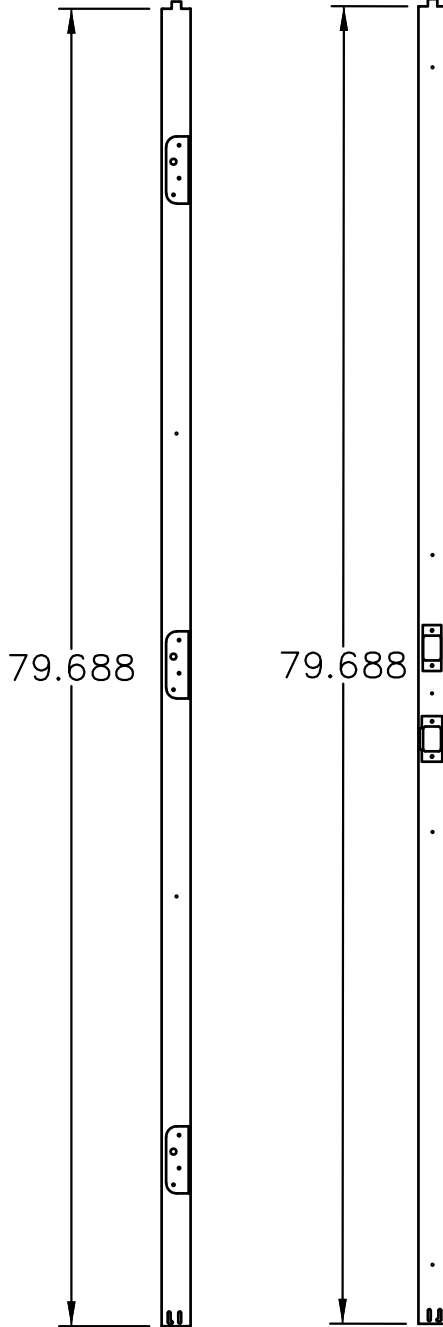
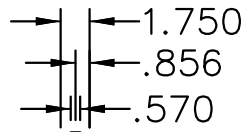
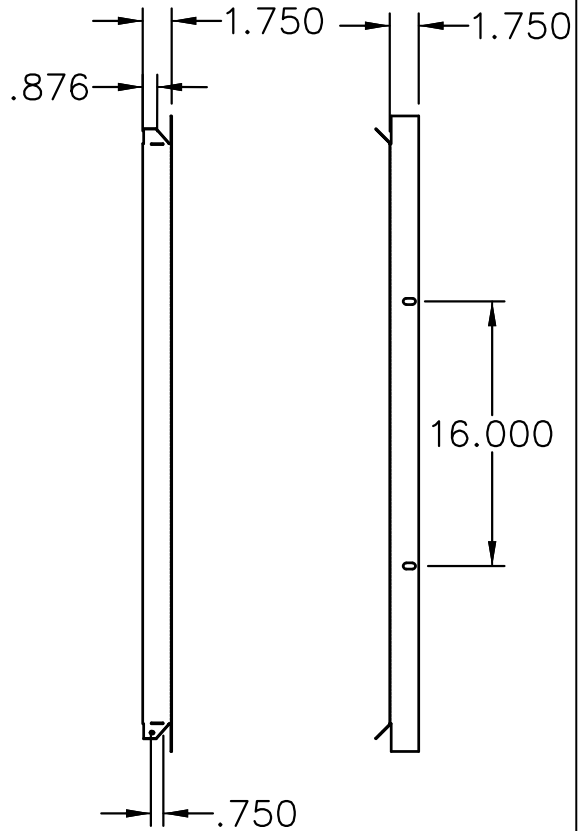


Left hand frame shown

Right hand opposite



Header & Jamb connection detail showing fully bent header tab and bent jamb tab (6x actual size)



REPLACEMENT FRAME LAYOUT DETAIL

DWG#	VIII-9A
DATE	1-15-24
NAME	MJP
SECTION	VIII
PAGE	9A