

TECHNICAL RESOURCE GUIDE

*A Guide for Architects, Distributors,
Dealers, Builders & Remodelers
to provide information they need
to allow for successful use of our
opening products.*



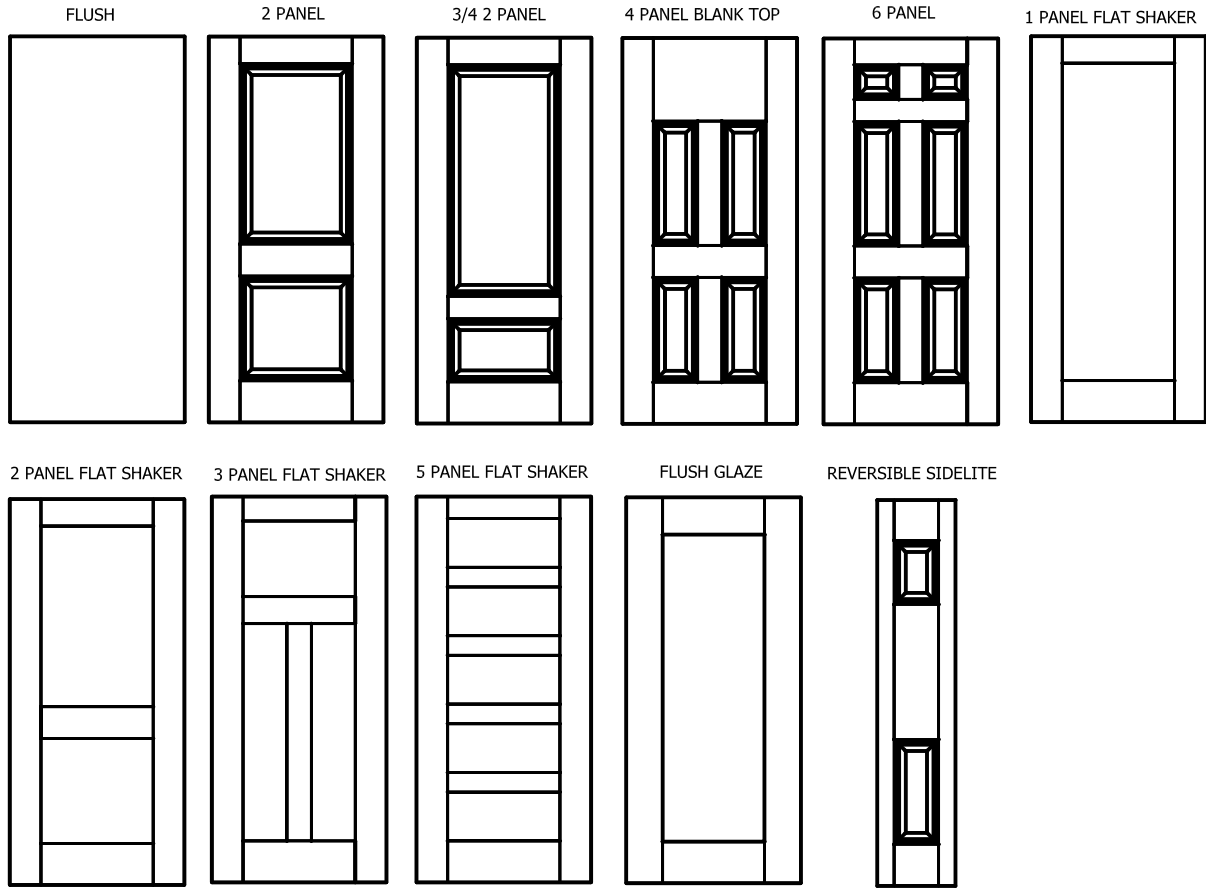
“Make a Beautiful Entrance”



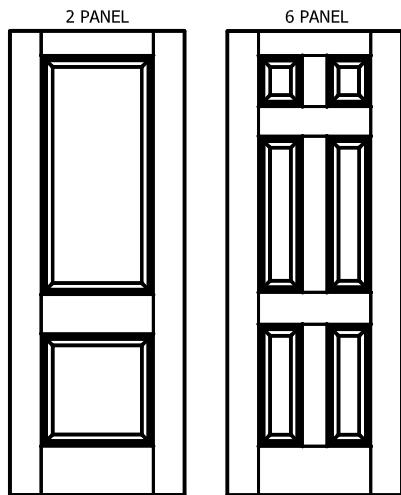
TAYLOR
Entrance Systems

AMERICA'S DOORMAKER

6'8" AND 7'0" SERIES



8'0" SERIES



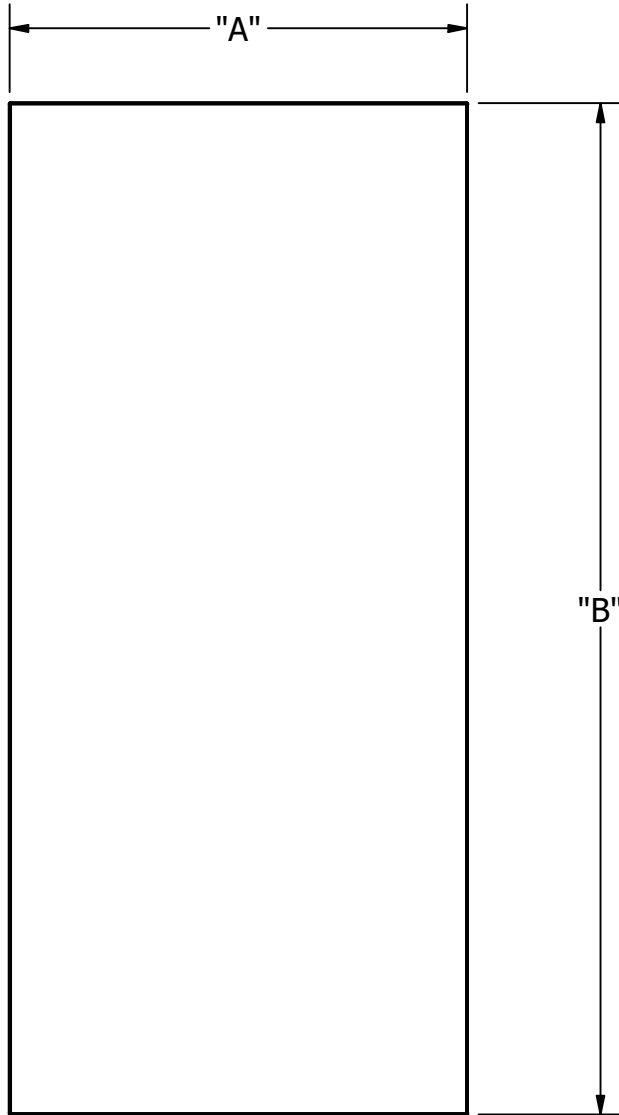
HURON SERIES FIBERGLASS
EMBOSSMENT OFFERINGS

DWG# XXIII-5
DATE: 08-27-25
NAME: JEW
SECTION: XXIII
PAGE: 5

TABLE	
DOOR WIDTH	A
2'8"	31.75
2'10"	33.75
3'0"	35.75

TABLE	
DOOR HEIGHT	"B"
6'8"	78.938
7'0"	82.938

NOTE:
 1/16" TOLERANCE
 ALLOWED FROM
 CENTERLINE FOR
 EMBOSSMENT
 LOCATIONS TOP TO
 BOTTOM AND SIDE TO
 SIDE.



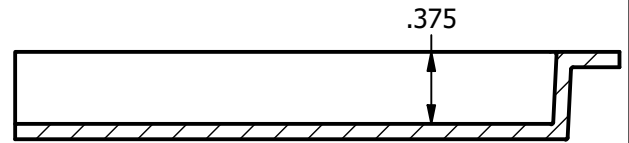
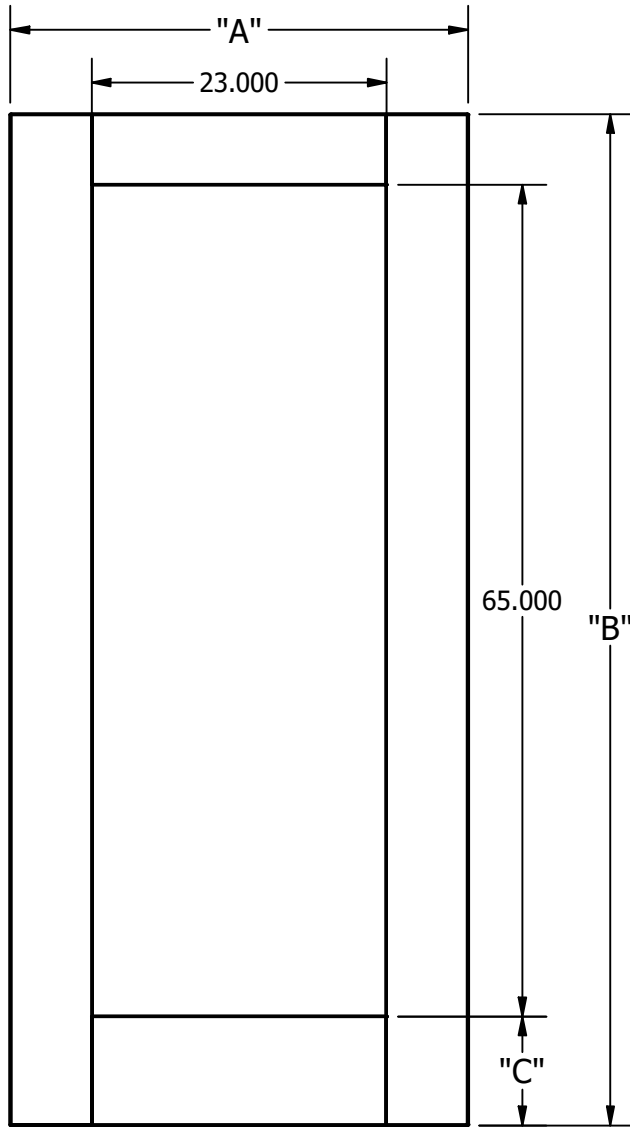
FLUSH OPTION FOR TAYLOR
 HURON SERIES

DWG# XXIII-6
DATE: 08-26-25
NAME: JEW
SECTION: XXIII
PAGE: 6

TABLE	
DOOR WIDTH	A
2'8"	31.75
2'10"	33.75
3'0"	35.75

TABLE		
DOOR HEIGHT	"B"	"C"
6'8"	78.938	8.438
7'0"	82.938	10.438

NOTE:
 1/16" TOLERANCE
 ALLOWED FROM
 CENTERLINE FOR
 EMBOSSMENT
 LOCATIONS TOP TO
 BOTTOM AND SIDE TO
 SIDE.



EMBOSSMENT PROFILE



1 PANEL FLAT SHAKER OPTION
 FOR TAYLOR HURON SERIES

DWG# XXIII-11

DATE: 08-27-25

NAME: JEW

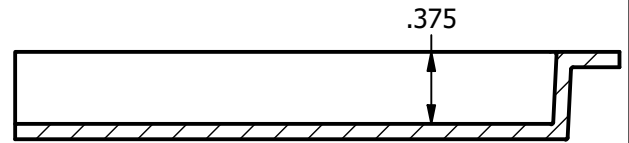
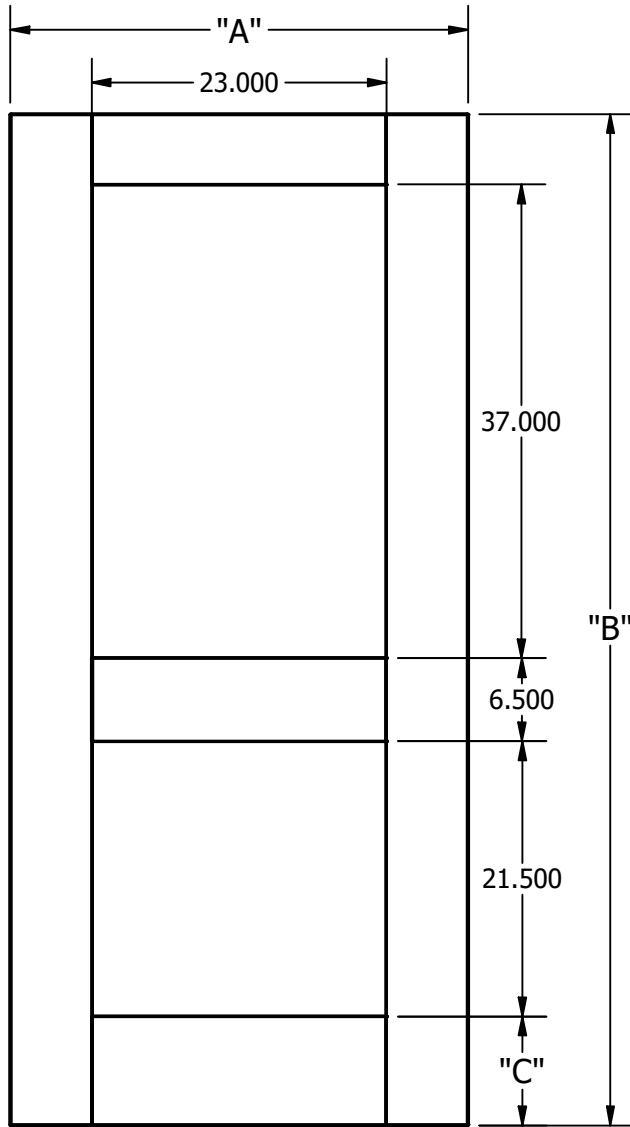
SECTION: XXIII

PAGE: 11

TABLE	
DOOR WIDTH	A
2'8"	31.75
2'10"	33.75
3'0"	35.75

TABLE		
DOOR HEIGHT	"B"	"C"
6'8"	78.938	8.438
7'0"	82.938	10.438

NOTE:
 1/16" TOLERANCE
 ALLOWED FROM
 CENTERLINE FOR
 EMBOSSMENT
 LOCATIONS TOP TO
 BOTTOM AND SIDE TO
 SIDE.



EMBOSSMENT PROFILE



2 PANEL FLAT SHAKER OPTION
 FOR TAYLOR HURON SERIES

DWG# XXIII-12

DATE: 08-27-25

NAME: JEW

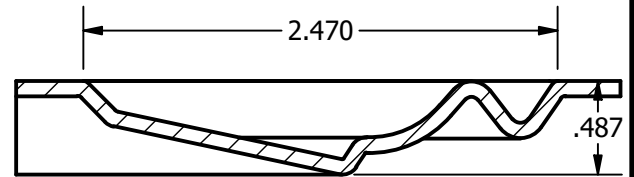
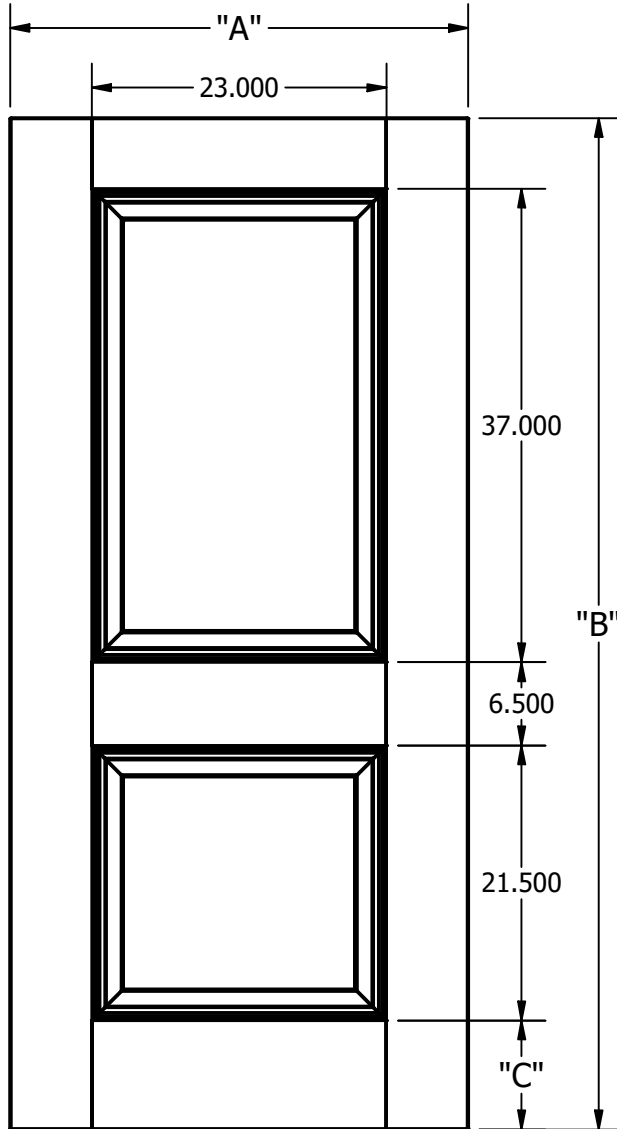
SECTION: XXIII

PAGE: 12

TABLE	
DOOR WIDTH	A
2'8"	31.75
2'10"	33.75
3'0"	35.75

TABLE		
DOOR HEIGHT	"B"	"C"
6'8"	78.938	8.438
7'0"	82.938	10.438

NOTE:
 1/16" TOLERANCE
 ALLOWED FROM
 CENTERLINE FOR
 EMBOSSEMENT
 LOCATIONS TOP TO
 BOTTOM AND SIDE TO
 SIDE.



EMBOSSMENT PROFILE



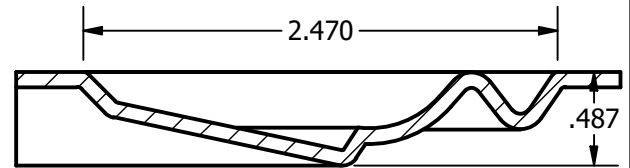
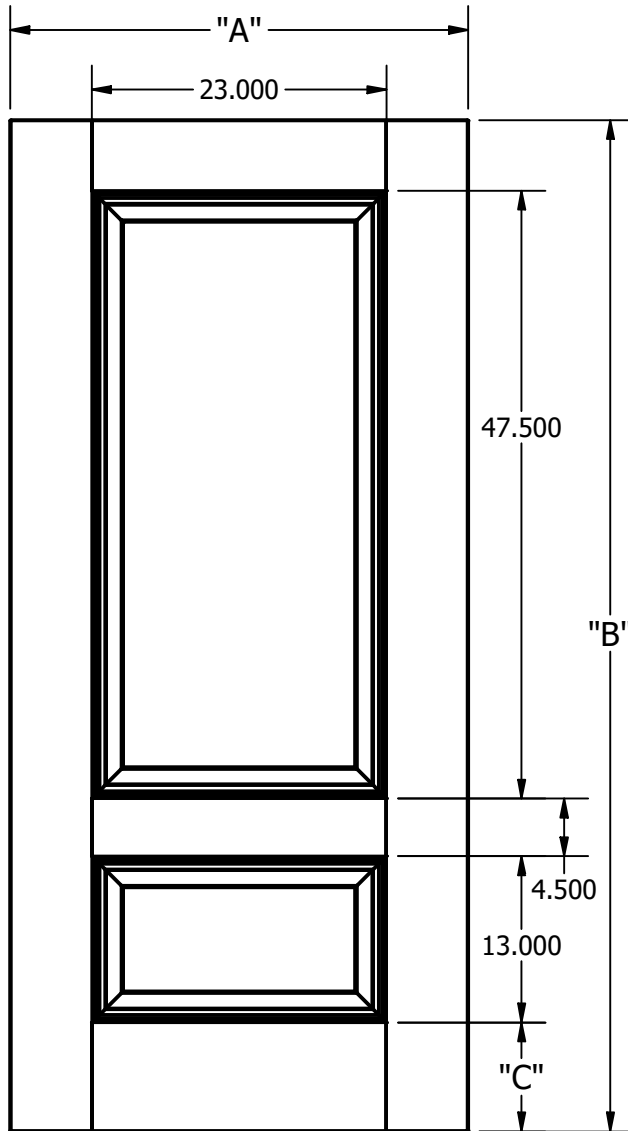
2 PANEL OPTION FOR TAYLOR
 HURON SERIES

DWG# XXIII-7
 DATE: 08-26-25
 NAME: JEW
 SECTION: XXIII
 PAGE: 7

TABLE	
DOOR WIDTH	A
2'8"	31.75
2'10"	33.75
3'0"	35.75

TABLE		
DOOR HEIGHT	"B"	"C"
6'8"	78.938	8.438
7'0"	82.938	10.438

NOTE:
 1/16" TOLERANCE
 ALLOWED FROM
 CENTERLINE FOR
 EMBOSSMENT
 LOCATIONS TOP TO
 BOTTOM AND SIDE TO
 SIDE.



EMBOSSMENT PROFILE



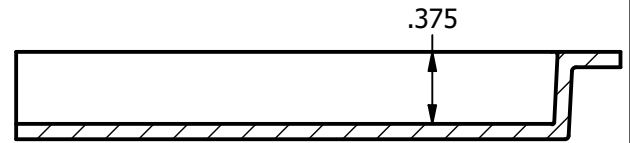
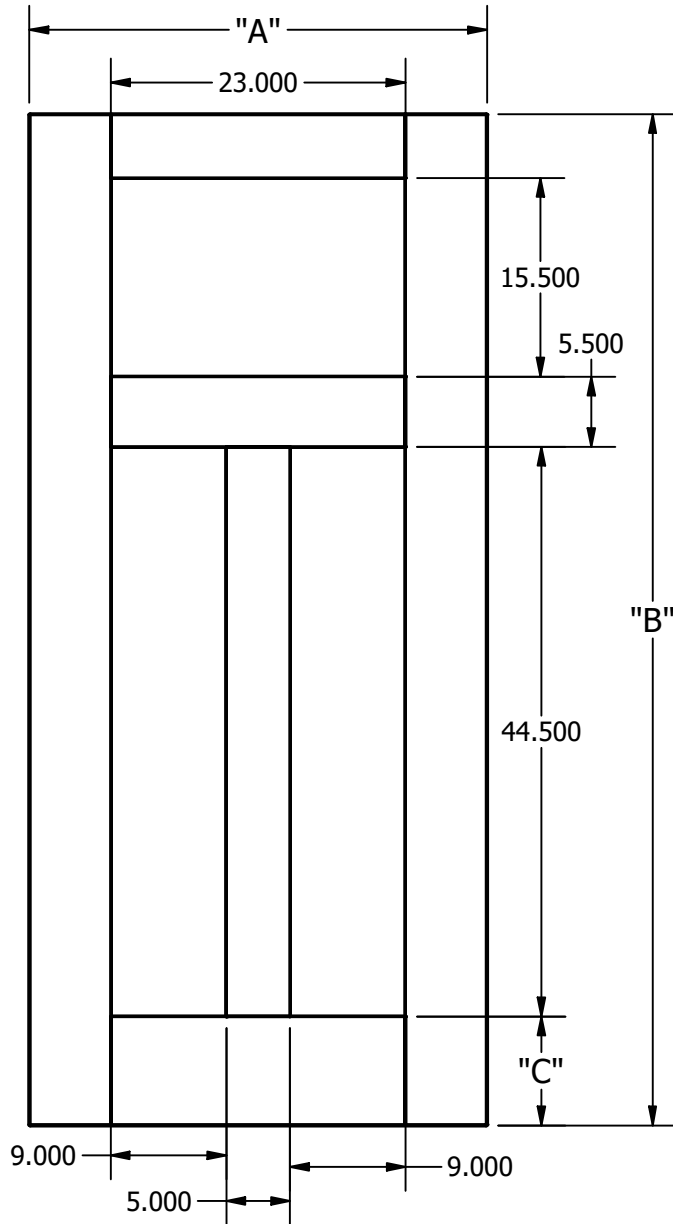
3/4 2 PANEL OPTION FOR
 TAYLOR HURON SERIES

DWG# XXIII-8
DATE: 08-27-25
NAME: JEW
SECTION: XXIII
PAGE: 8

TABLE	
DOOR WIDTH	A
2'8"	31.75
2'10"	33.75
3'0"	35.75

TABLE		
DOOR HEIGHT	"B"	"C"
6'8"	78.938	8.438
7'0"	82.938	10.438

NOTE:
 1/16" TOLERANCE
 ALLOWED FROM
 CENTERLINE FOR
 EMBOSSMENT
 LOCATIONS TOP TO
 BOTTOM AND SIDE TO
 SIDE.



EMBOSSMENT PROFILE



3 PANEL FLAT SHAKER OPTION FOR TAYLOR HURON SERIES

DWG# XXIII-13

DATE: 08-27-25

NAME: JEW

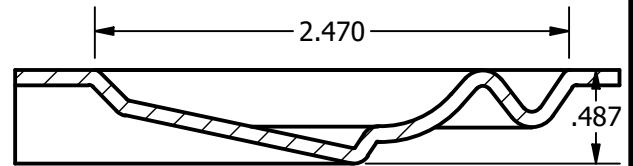
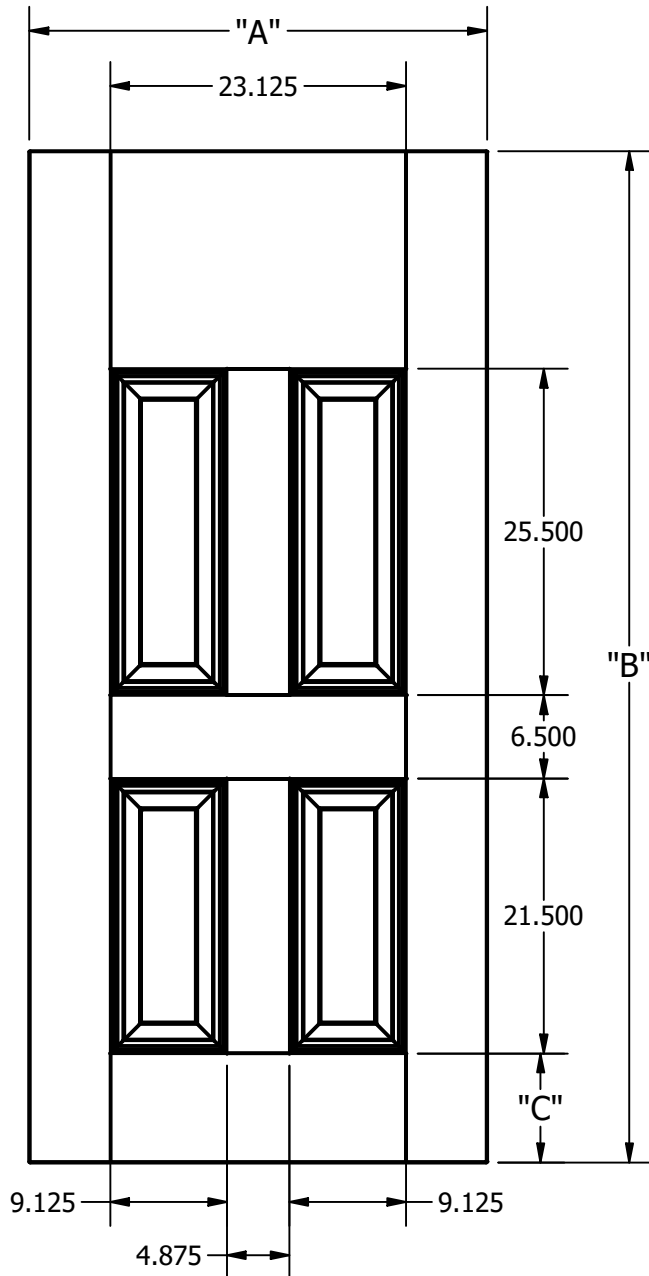
SECTION: XXIII

PAGE: 13

TABLE	
DOOR WIDTH	A
2'8"	31.75
2'10"	33.75
3'0"	35.75

TABLE		
DOOR HEIGHT	"B"	"C"
6'8"	78.938	8.438
7'0"	82.938	10.438

NOTE:
 1/16" TOLERANCE
 ALLOWED FROM
 CENTERLINE FOR
 EMBOSSMENT
 LOCATIONS TOP TO
 BOTTOM AND SIDE TO
 SIDE.



EMBOSSMENT PROFILE



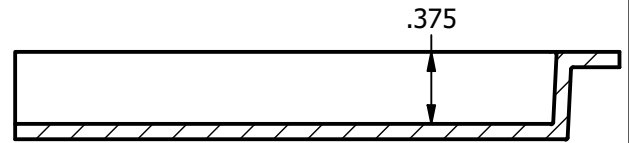
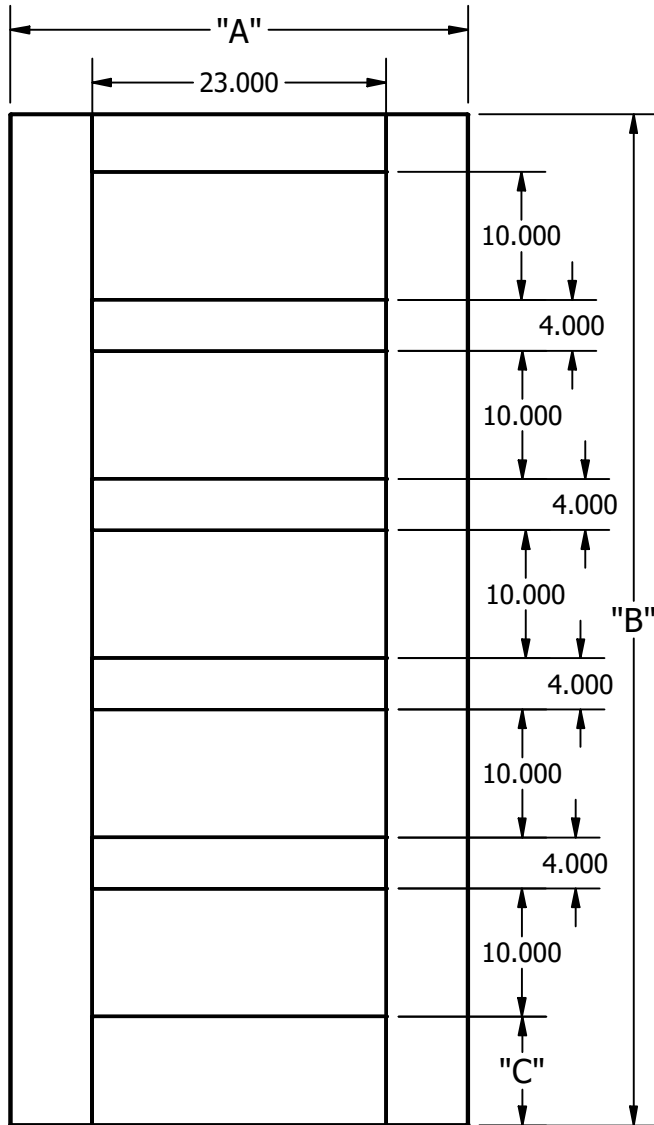
4 PANEL BLANK TOP OPTION
 FOR TAYLOR HURON SERIES

DWG# XXIII-9
DATE: 08-27-25
NAME: JEW
SECTION: XXIII
PAGE: 9

TABLE	
DOOR WIDTH	A
2'8"	31.75
2'10"	33.75
3'0"	35.75

TABLE		
DOOR HEIGHT	"B"	"C"
6'8"	78.938	8.438
7'0"	82.938	10.438

NOTE:
 1/16" TOLERANCE
 ALLOWED FROM
 CENTERLINE FOR
 EMBOSSMENT
 LOCATIONS TOP TO
 BOTTOM AND SIDE TO
 SIDE.



EMBOSSMENT PROFILE



5 PANEL FLAT SHAKER OPTION
 FOR TAYLOR HURON SERIES

DWG# XXIII-14

DATE: 08-27-25

NAME: JEW

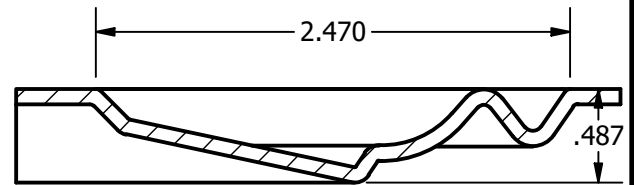
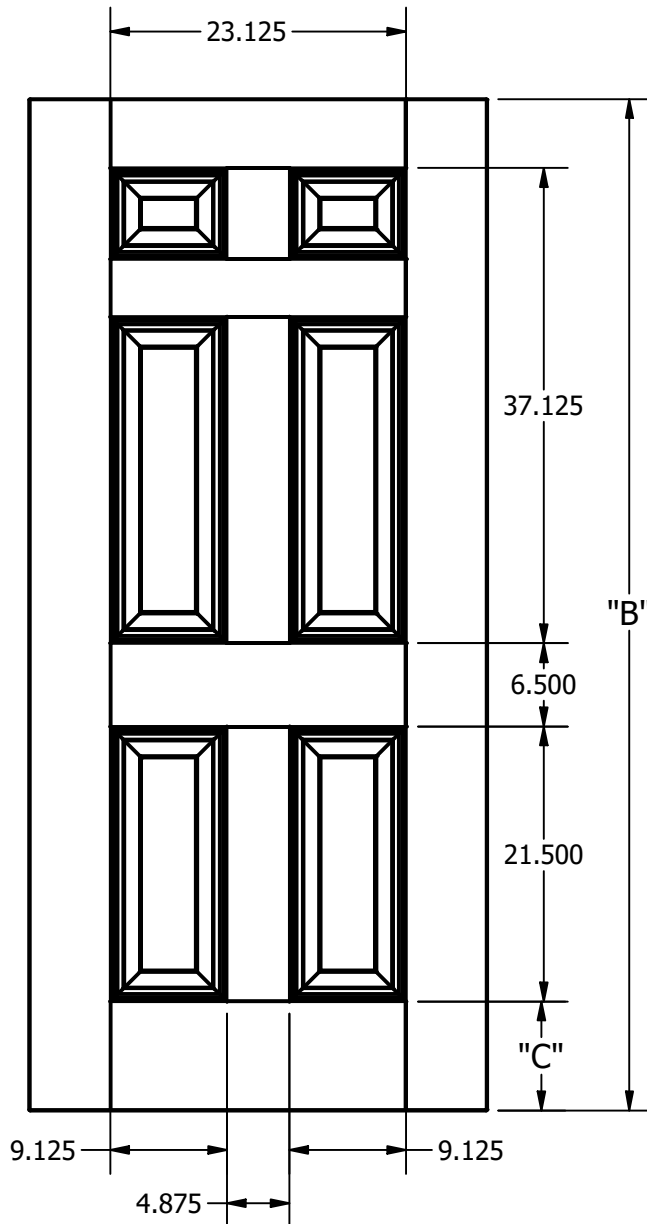
SECTION: XXIII

PAGE: 14

TABLE	
DOOR WIDTH	A
2'8"	31.75
2'10"	33.75
3'0"	35.75

TABLE		
DOOR HEIGHT	"B"	"C"
6'8"	78.938	8.438
7'0"	82.938	10.438

NOTE:
 1/16" TOLERANCE
 ALLOWED FROM
 CENTERLINE FOR
 EMBOSSMENT
 LOCATIONS TOP TO
 BOTTOM AND SIDE TO
 SIDE.



EMBOSSMENT PROFILE



6 PANEL OPTION FOR TAYLOR HURON SERIES

DWG# XXIII-10

DATE: 08-27-25

NAME: JEW

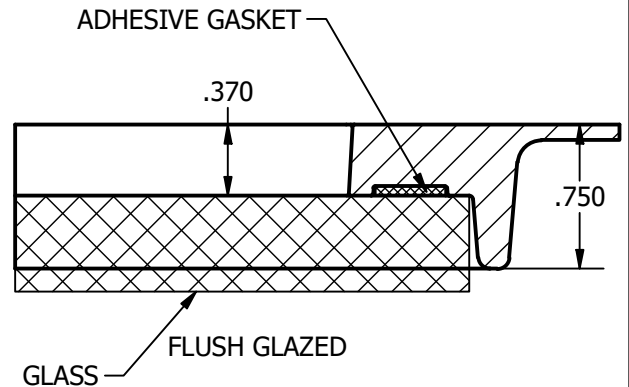
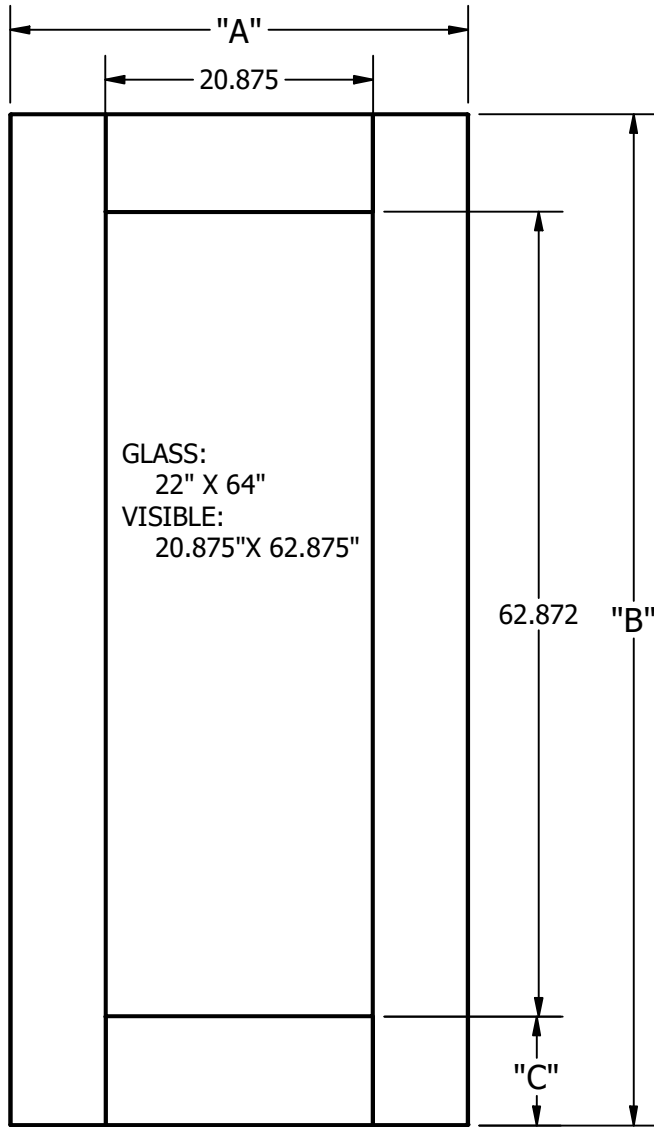
SECTION: XXIII

PAGE: 10

TABLE	
DOOR WIDTH	A
2'8"	31.75
2'10"	33.75
3'0"	35.75

TABLE		
DOOR HEIGHT	"B"	"C"
6'8"	78.938	8.438
7'0"	82.938	10.438

NOTE:
 1/16" TOLERANCE
 ALLOWED FROM
 CENTERLINE FOR
 EMBOSSEMENT
 LOCATIONS TOP TO
 BOTTOM AND SIDE TO
 SIDE.



FLUSH GLAZE OPTION FOR TAYLOR HURON SERIES

DWG# XXIII-15

DATE: 08-27-25

NAME: JEW

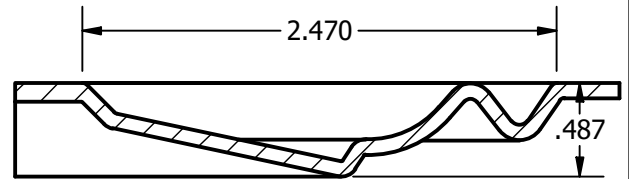
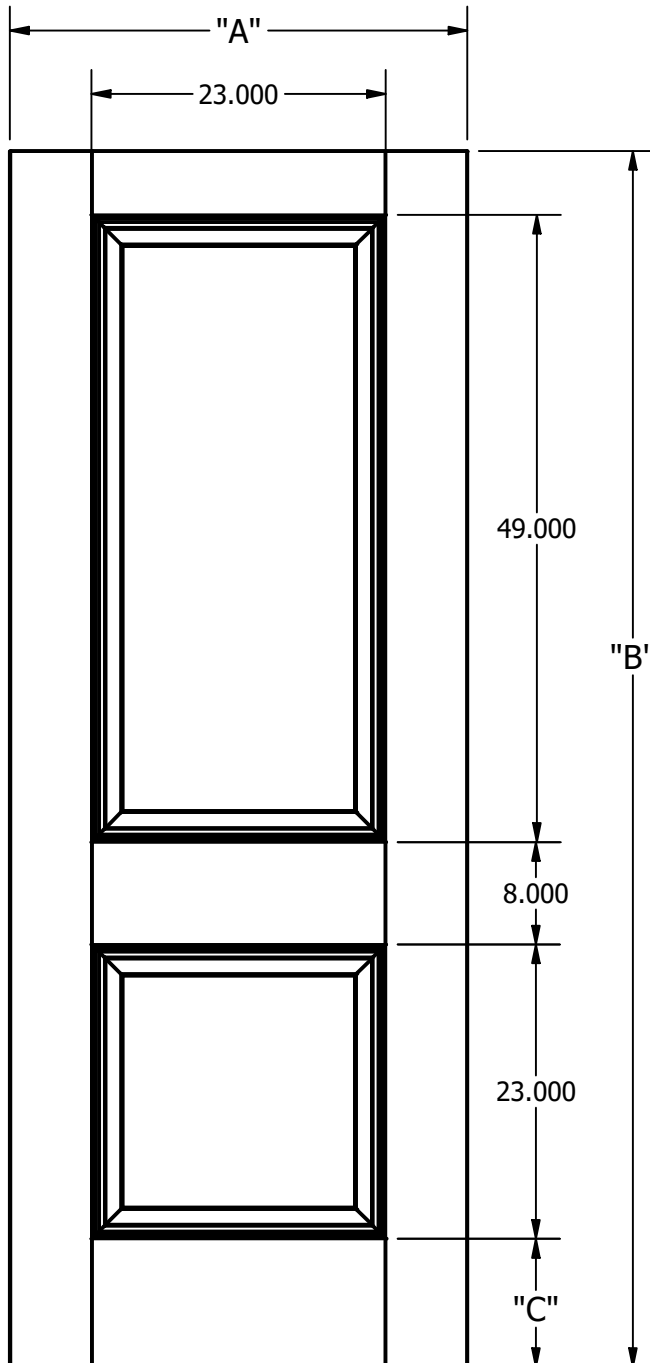
SECTION: XXIII

PAGE: 15

TABLE	
DOOR WIDTH	A
2'8"	31.75
2'10"	33.75
3'0"	35.75

TABLE		
DOOR HEIGHT	"B"	"C"
8'0"	94.938	10.500

NOTE:
 1/16" TOLERANCE
 ALLOWED FROM
 CENTERLINE FOR
 EMBOSSEMENT
 LOCATIONS TOP TO
 BOTTOM AND SIDE TO
 SIDE.



EMBOSSMENT PROFILE



2 PANEL 8/0 OPTION FOR TAYLOR HURON SERIES

DWG# XXIII-16

DATE: 08-27-25

NAME: JEW

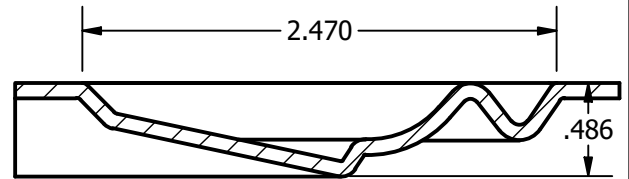
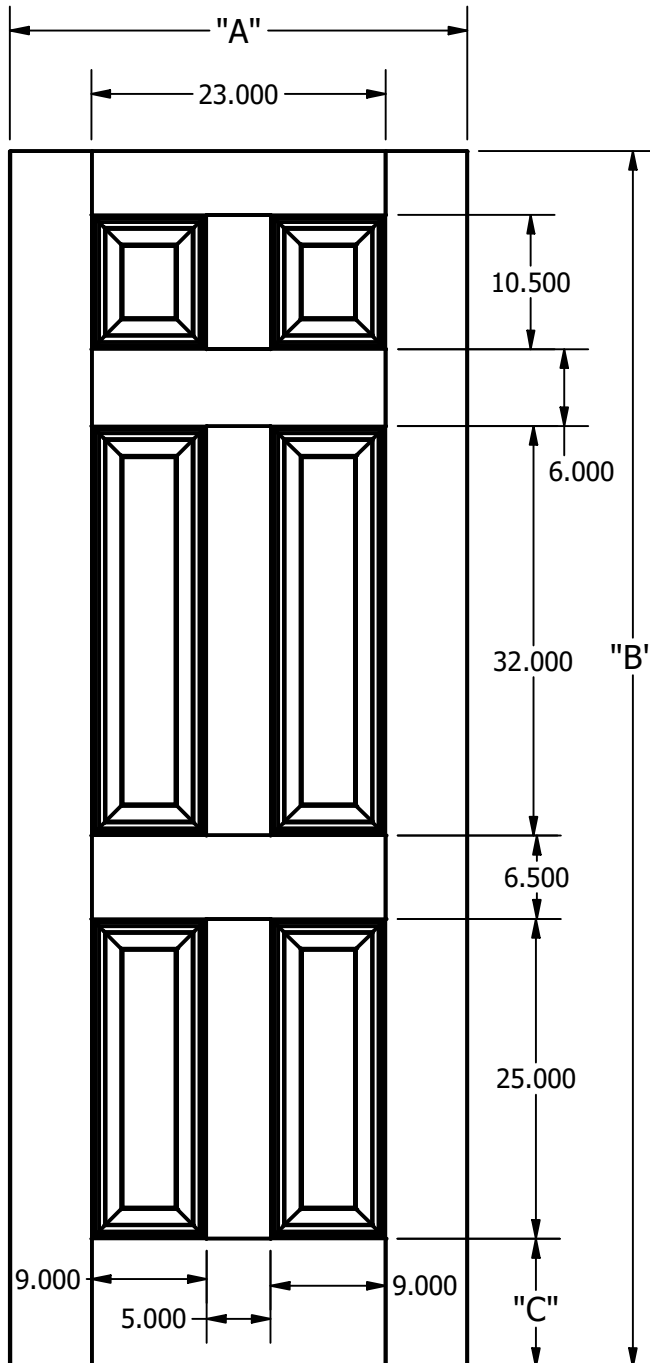
SECTION: XXIII

PAGE: 16

TABLE	
DOOR WIDTH	A
2'8"	31.75
2'10"	33.75
3'0"	35.75

TABLE		
DOOR HEIGHT	"B"	"C"
8'0"	94.938	10.500

NOTE:
 1/16" TOLERANCE
 ALLOWED FROM
 CENTERLINE FOR
 EMBOSSMENT
 LOCATIONS TOP TO
 BOTTOM AND SIDE TO
 SIDE.



EMBOSSMENT PROFILE



6 PANEL 8/0 OPTION FOR TAYLOR HURON SERIES

DWG# XXIII-17

DATE: 08-27-25

NAME: JEW

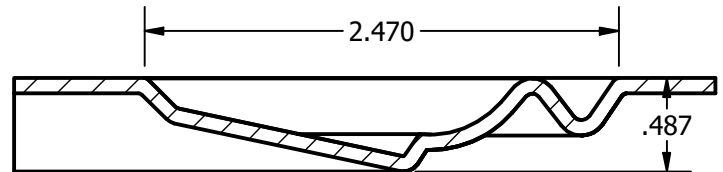
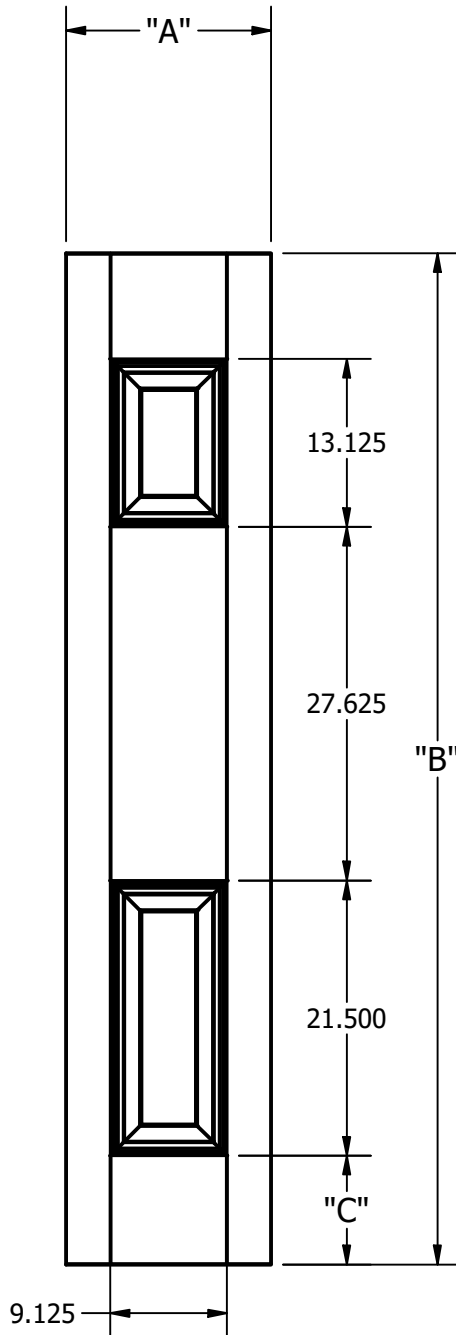
SECTION: XXIII

PAGE: 17

TABLE	
DOOR WIDTH	A
12"	12
14"	14
16"	16

TABLE		
DOOR HEIGHT	"B"	"C"
6'8"	78.938	8.438
7'0"	82.938	10.438

NOTE:
 1/16" TOLERANCE
 ALLOWED FROM
 CENTERLINE FOR
 EMBOSSEMENT
 LOCATIONS TOP TO
 BOTTOM AND SIDE TO
 SIDE.



EMBOSSMENT PROFILE



REVERSIBLE SIDELITE OPTION
 FOR TAYLOR HURON SERIES

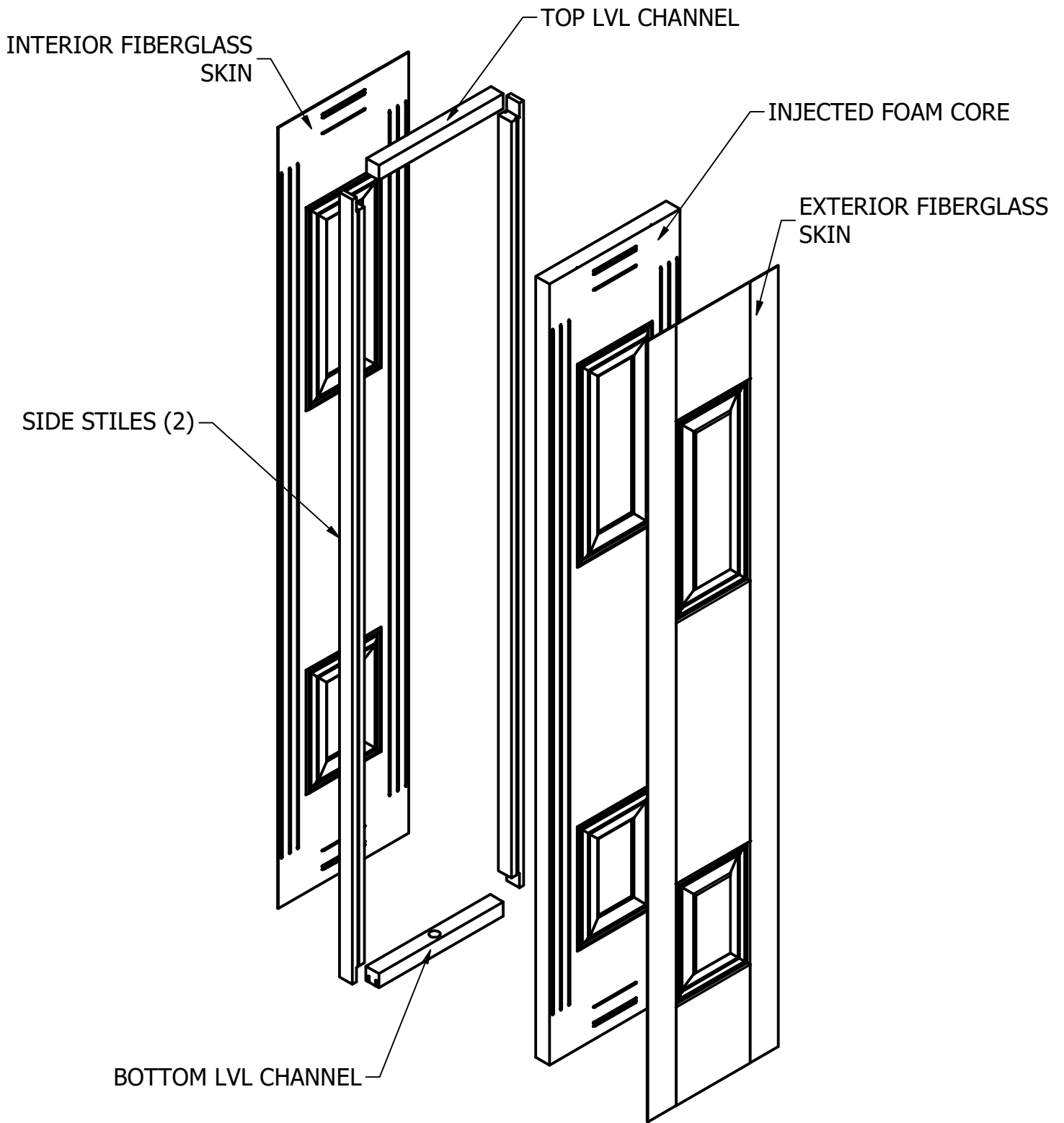
DWG# XXIII-18

DATE: 08-27-25

NAME: JEW

SECTION: XXIII

PAGE: 18



**HURON FIBERGLASS ENTRY
 DOOR CONSTRUCTION DETAIL**

DWG# XXIII-20

DATE: 02-16-26

NAME: JEW

SECTION: XXIII

PAGE: 20

FIBERGLASS LOCK PREP OPTIONS

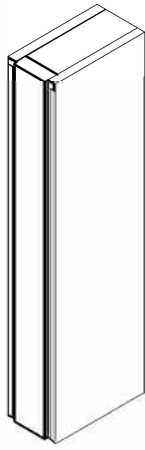
Lock Prep Callout	Number of Edge Preps	Edge Prep Size	Number of Face Bores	Lock Bore Size	Deadbolt Bore Size	Bore Backset	Prep C/C "	Page Number
R01	0	N/A	0	N/A	N/A	N/A	N/A	IV-17
R00	1	1" x 2 1/4"	0	N/A	N/A	N/A	N/A	IV-17
R04	1	1" x 2 1/4"	1	2 1/8"	N/A	2 3/4"	N/A	IV-17
R08	1	1" x 2 1/4"	1	2 1/8"	N/A	2 3/8"	N/A	IV-17
R50	2	1" x 2 1/4"	0	N/A	N/A	N/A	5 1/2"	IV-18
R54	2	1" x 2 1/4"	1	2 1/8"	N/A	2 3/4"	5 1/2"	IV-18
R58	2	1" x 2 1/4"	1	2 1/8"	N/A	2 3/8"	5 1/2"	IV-18
R55	2	1" x 2 1/4"	2	2 1/8"	2 1/8"	2 3/8"	5 1/2"	IV-18
R56	2	1" x 2 1/4"	2	2 1/8"	2 1/8"	2 3/4"	5 1/2"	IV-18



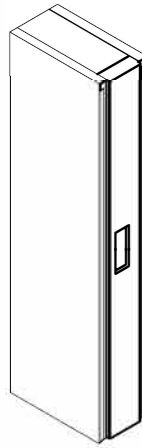
HURON FIBERGLASS
STANDARD LOCK AND
DEADBOLTS PREPS

DWG#	IV-1
DATE	9-9-20
NAME	KRB
SECTION	IV
PAGE	1

R01
NO LOCK DR
EDGE PREP

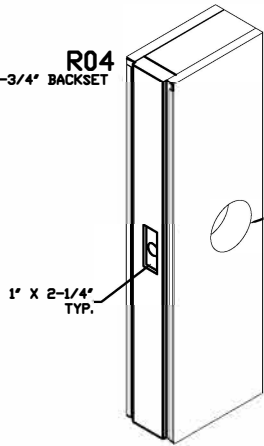


R00
SINGLE EDGE PREP



1" X 2-1/4"
EDGE PREP

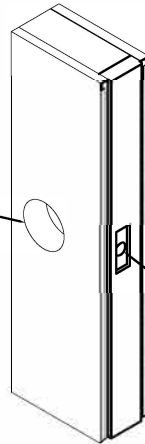
R04
2-3/4" BACKSET



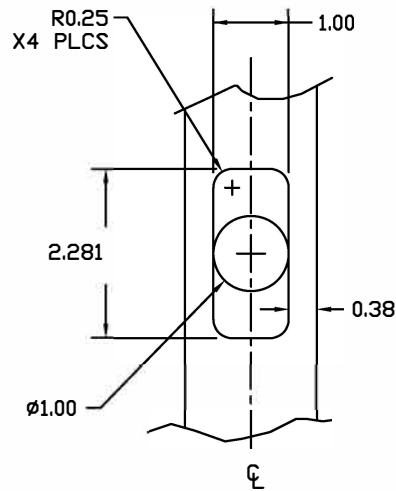
1" X 2-1/4"
TYP.

LOCK BORE
2-1/8" DIA THRU

R08
2-3/8" BACKSET



EDGE BORE
1" DIA TYP



MORTISE DEPTH TO BE
0.165

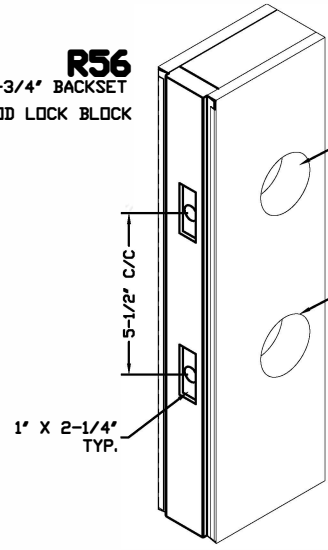


AMERICA'S DOORMAKER

HURON FIBERGLASS
LOCK PREP DETAIL

DWG#	IV-17
DATE	9-9-20
NAME	KRB
SECTION	IV
PAGE	17

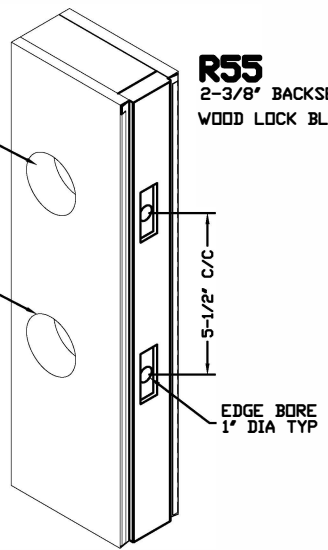
R56
2-3/4" BACKSET
WOOD LOCK BLOCK



DEADBOLT BORE
2-1/8" DIA THRU

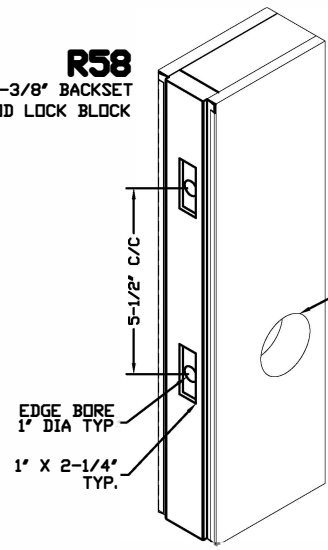
LOCK BORE
2-1/8" DIA THRU

R55
2-3/8" BACKSET
WOOD LOCK BLOCK



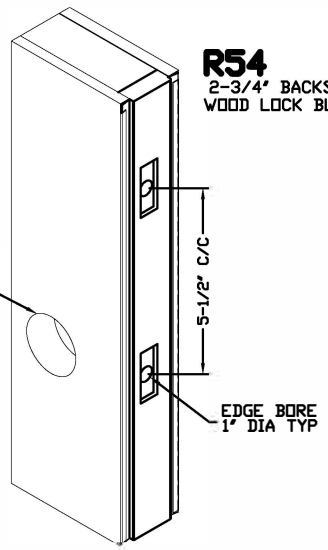
EDGE BORE
1" DIA TYP

R58
2-3/8" BACKSET
WOOD LOCK BLOCK



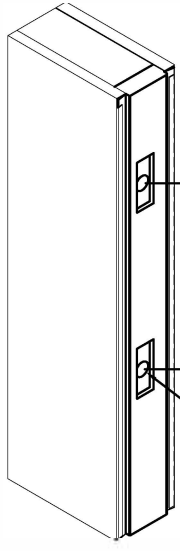
LOCK BORE
2-1/8" DIA THRU

R54
2-3/4" BACKSET
WOOD LOCK BLOCK



EDGE BORE
1" DIA TYP

R50
WOOD LOCK BLOCK

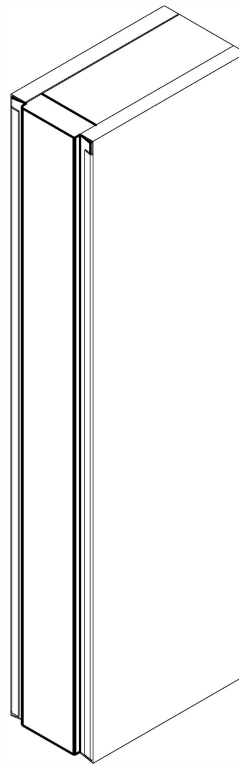


EDGE BORE
1" DIA TYP

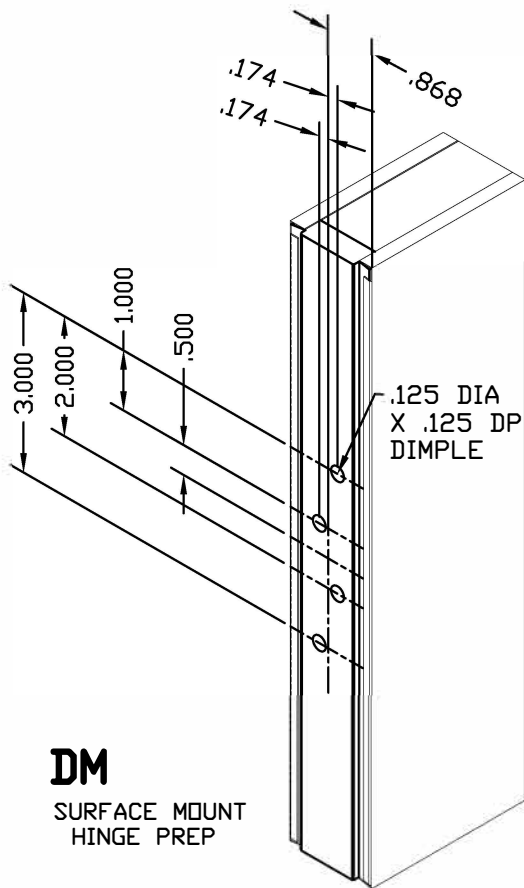


HURON
FIBERGLASS
LOCK PREP DETAIL

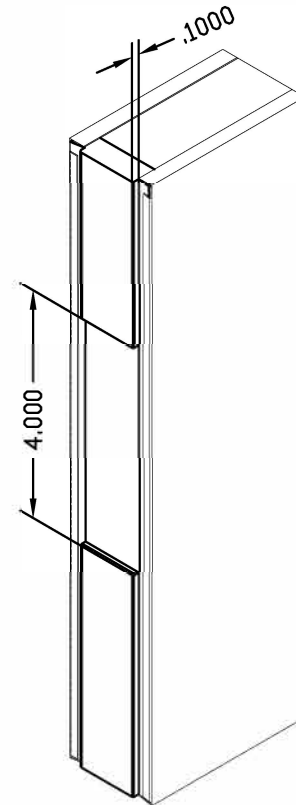
DWG#	IV-18
DATE	9-9-20
NAME	KRB
SECTION	IV
PAGE	18



B
BLANK
HINGE PREP



DM
SURFACE MOUNT
HINGE PREP



MT
MORTISED
HINGE PREP