

TECHNICAL RESOURCE GUIDE

*A Guide for Architects, Distributors,
Dealers, Builders & Remodelers
to provide information they need
to allow for successful use of our
opening products.*

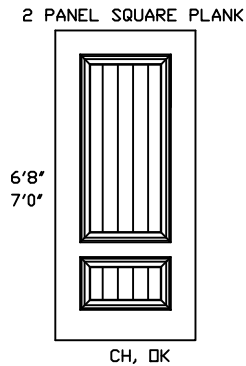
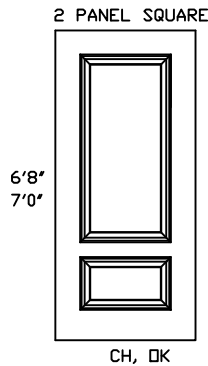
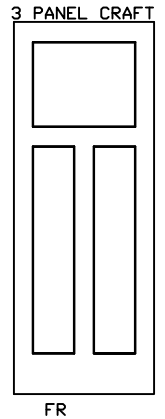
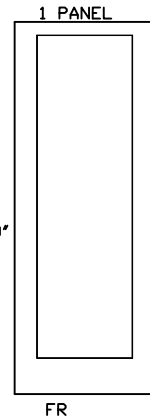
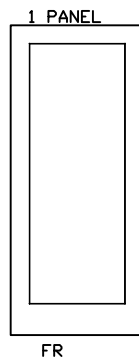
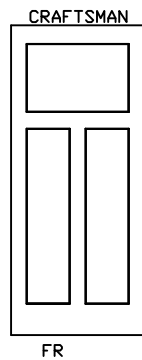
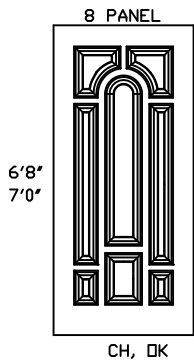
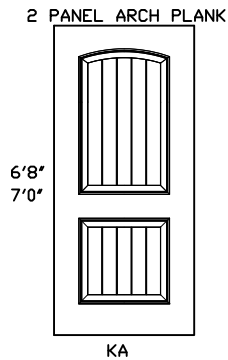
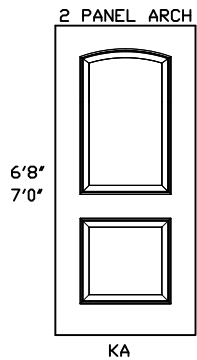
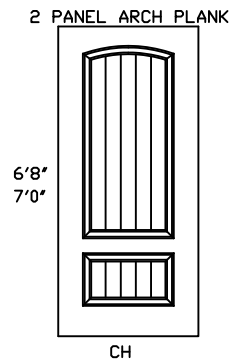
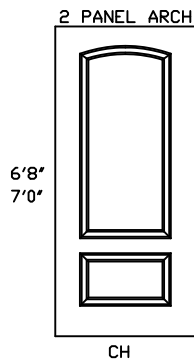
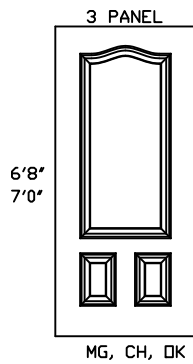
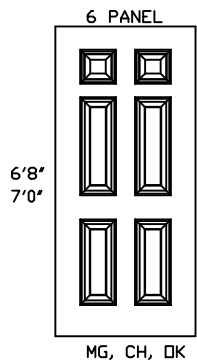


“Make a Beautiful Entrance”

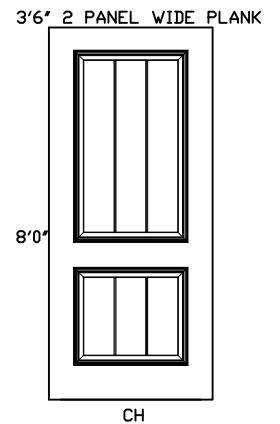
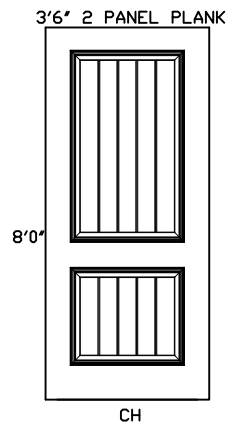
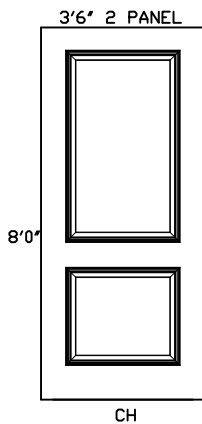
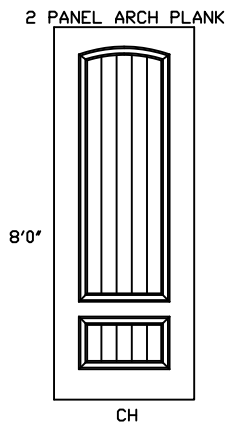
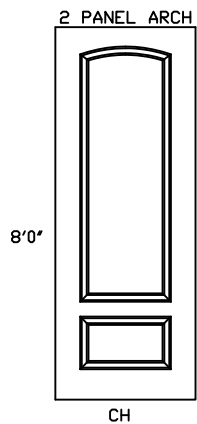
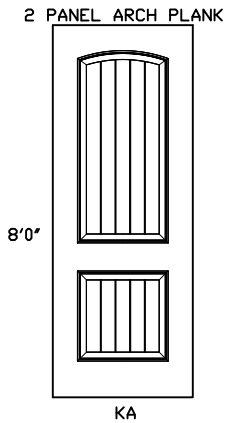
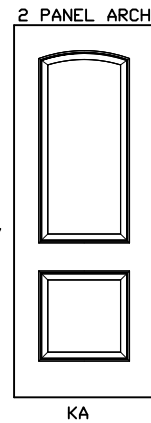
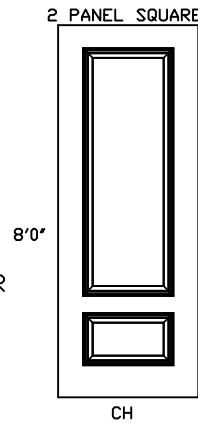


TAYLOR
Entrance Systems

AMERICA'S DOORMAKER



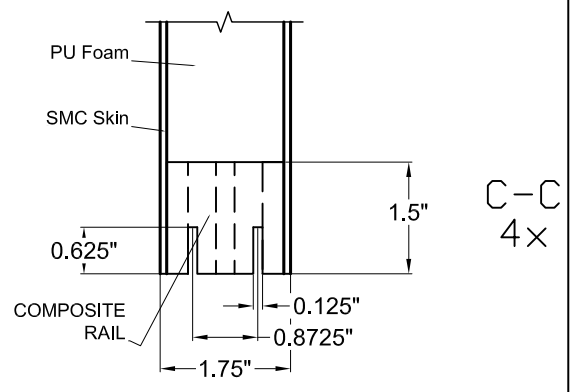
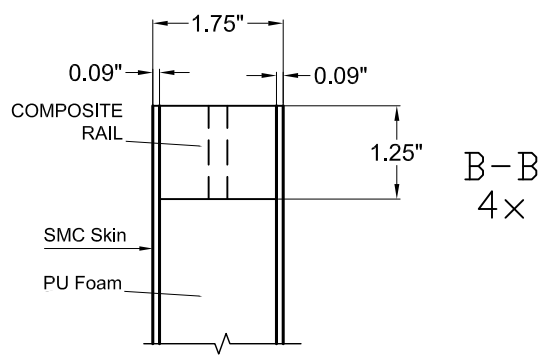
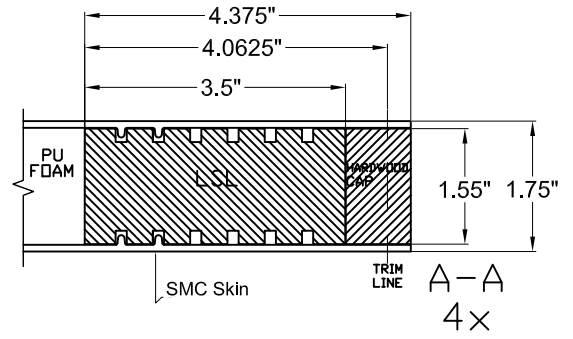
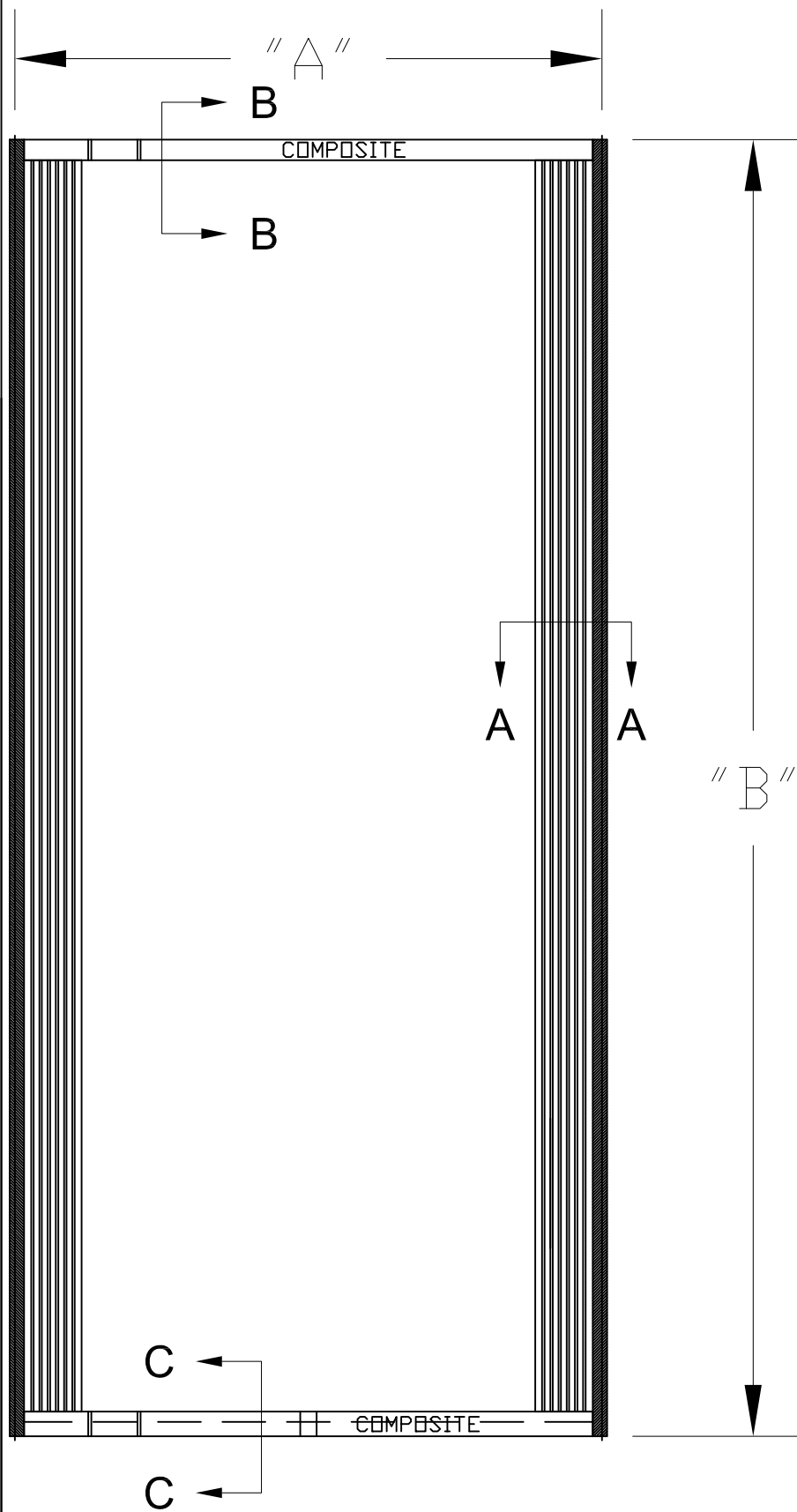
MG = MAHOGANY
CH = CHERRY
FR = FIR
DK = OAK
KA = KNOTTY ALDER



TIMBERGRAIN
DOOR EMBOSSMENT OPTIONS

SEE DOOR DETAIL DRAWINGS
FOR DOOR WIDTH AVAILABILITY
PER EMBOSSMENT

DWG#	XXII-1
DATE	4-4-19
NAME	KRB
SECTION	XX
PAGE	1

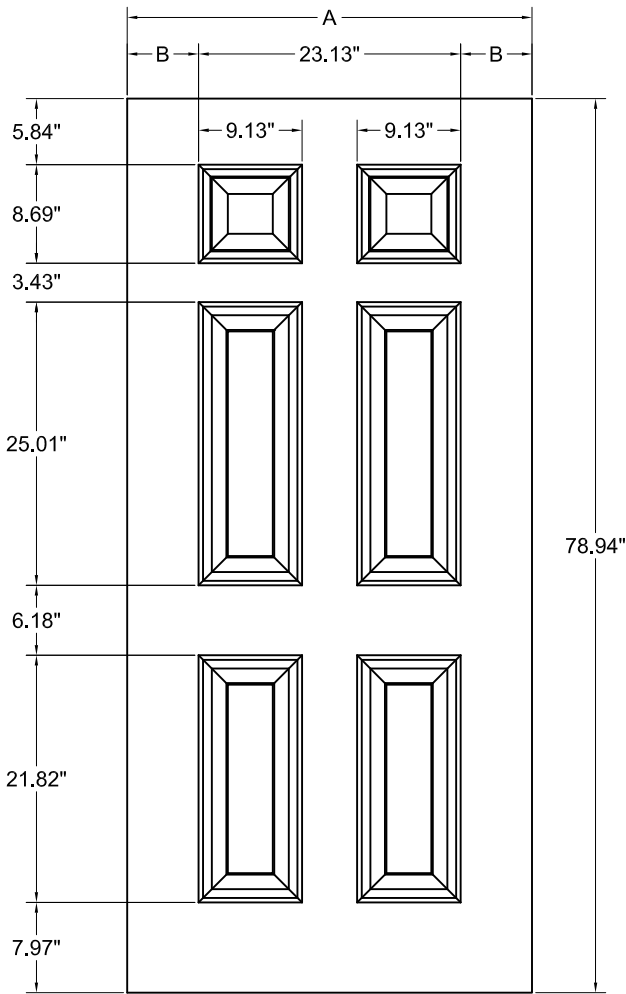


A	B
31.750"	78.938"
33.750"	82.938"
35.750"	94.938"



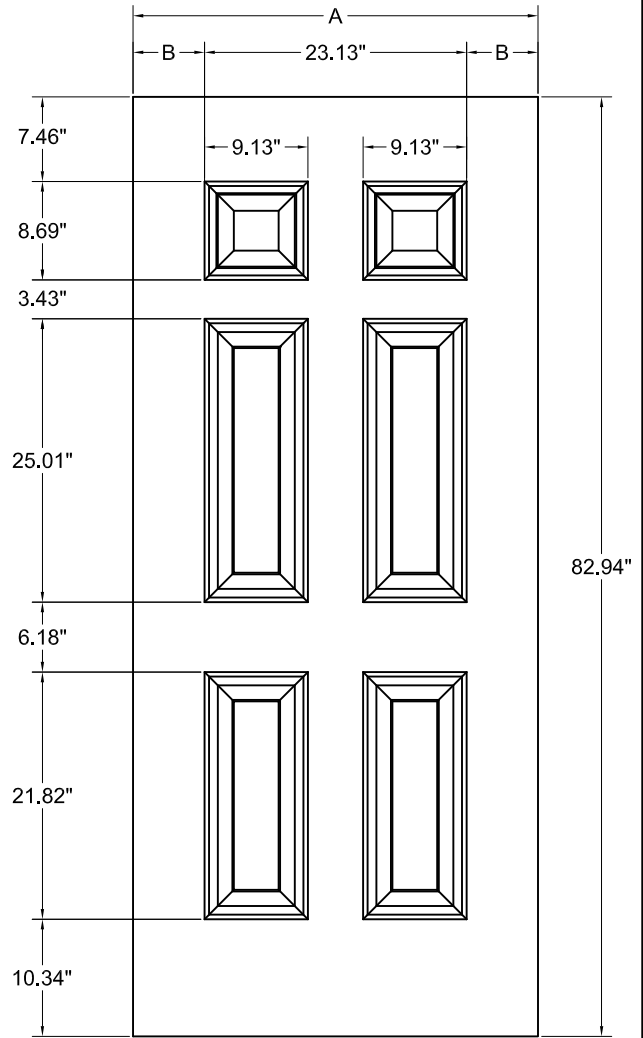
TIMBERGRAIN
6'8", 7'0", 8'0"
CONSTRUCTION DETAIL

DWG#	XXII-3
DATE	4-22-14
NAME	KRB
SECTION	XX
PAGE	3



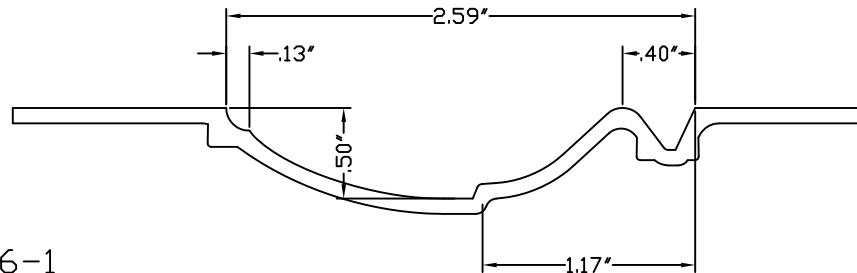
6'-8" 6 PANEL

WIDTH	"A"	"B"
3'0"	35.75"	6.31"
2'10"	33.75"	5.31"
2'8"	31.75"	4.31"



7'-0" 6 PANEL

EMBOSSMENT PROFILE

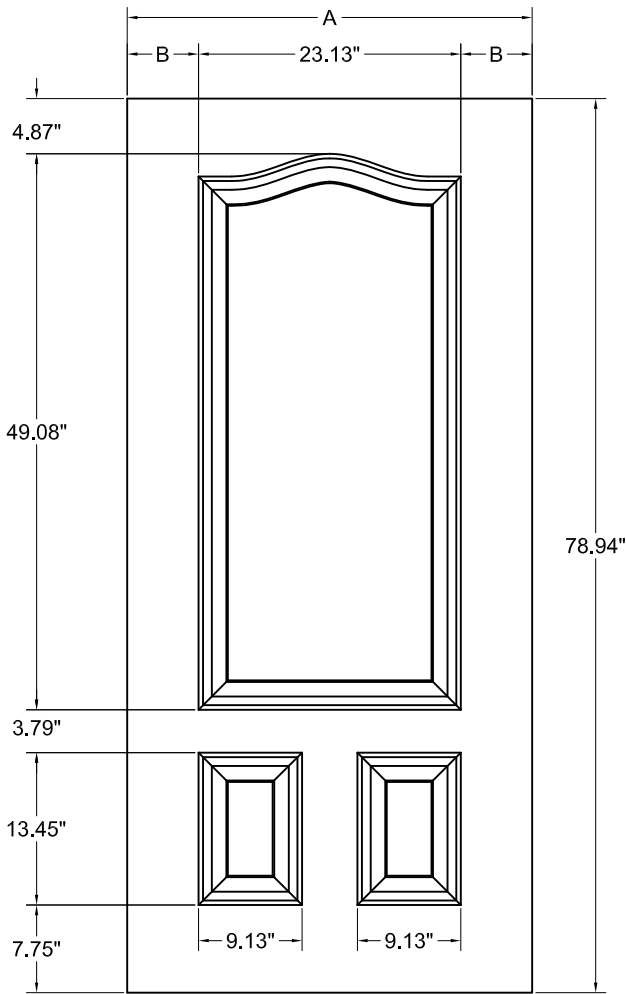


SCALE: 16-1



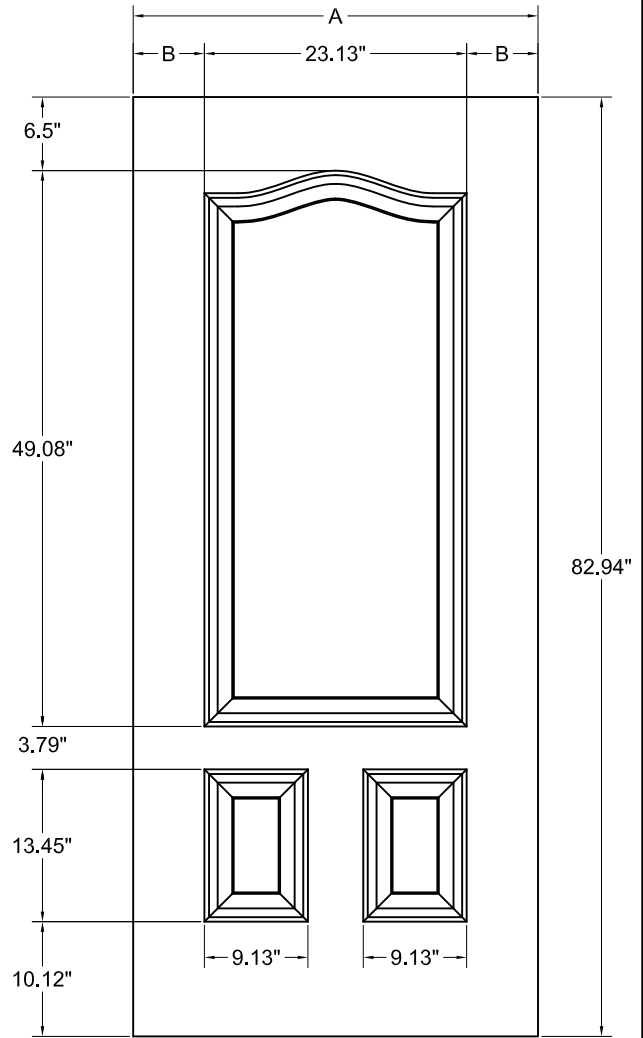
6 PANEL - 6'8" AND 7'0"
TIMBERGRAIN
FIBERGLASS DOORS

DWG#	XXII-4
DATE	4-22-14
NAME	KRB
SECTION	XXII
PAGE	4

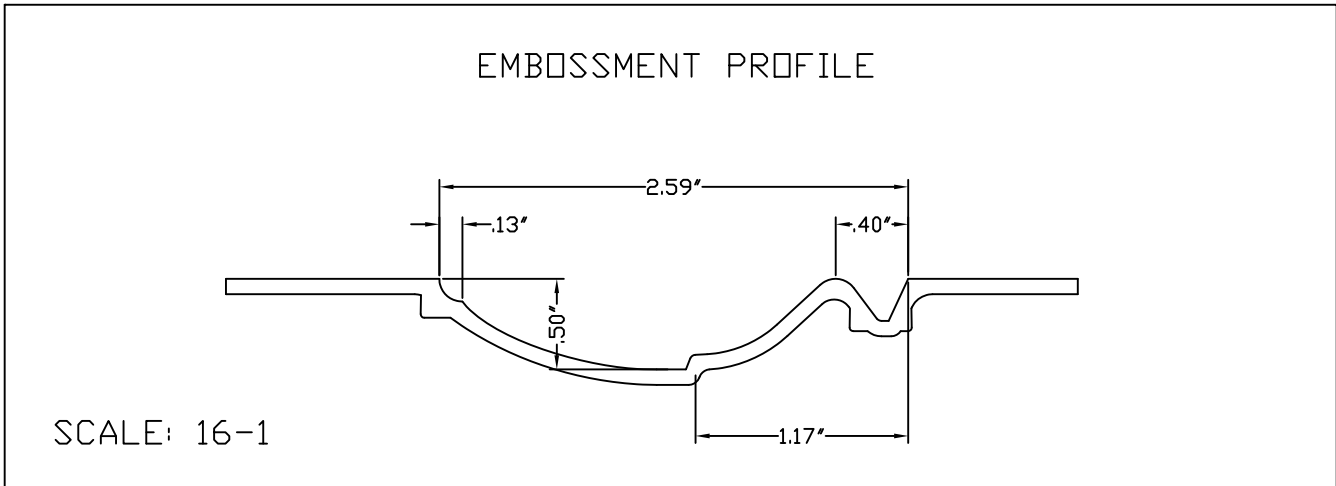


6'-8" 3 PANEL

WIDTH	"A"	"B"
3'0"	35.75"	6.31"
2'10"	33.75"	5.31"
2'8"	31.75"	4.31"

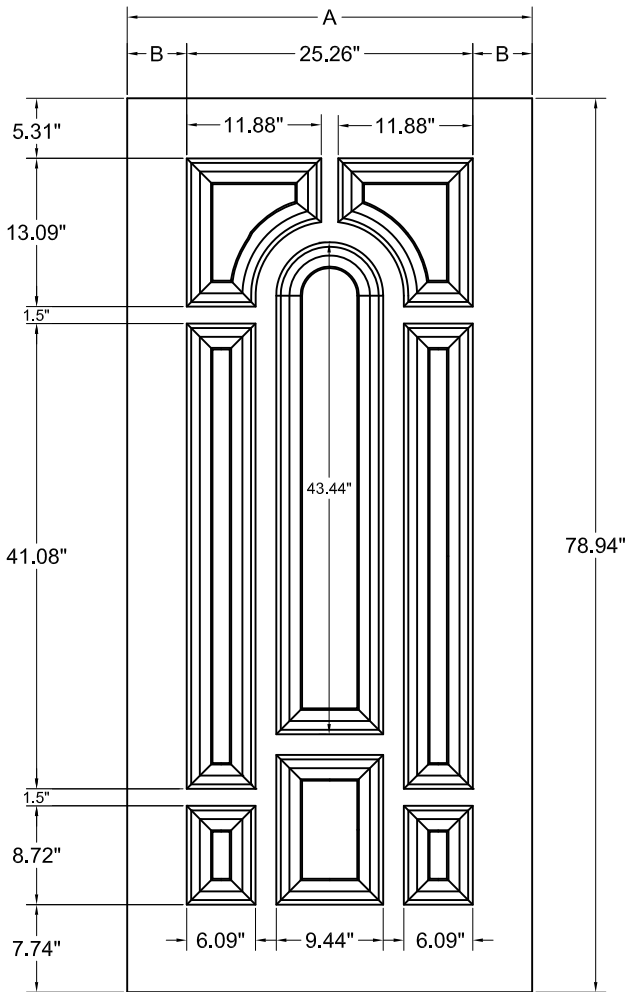


7'-0" 3 PANEL



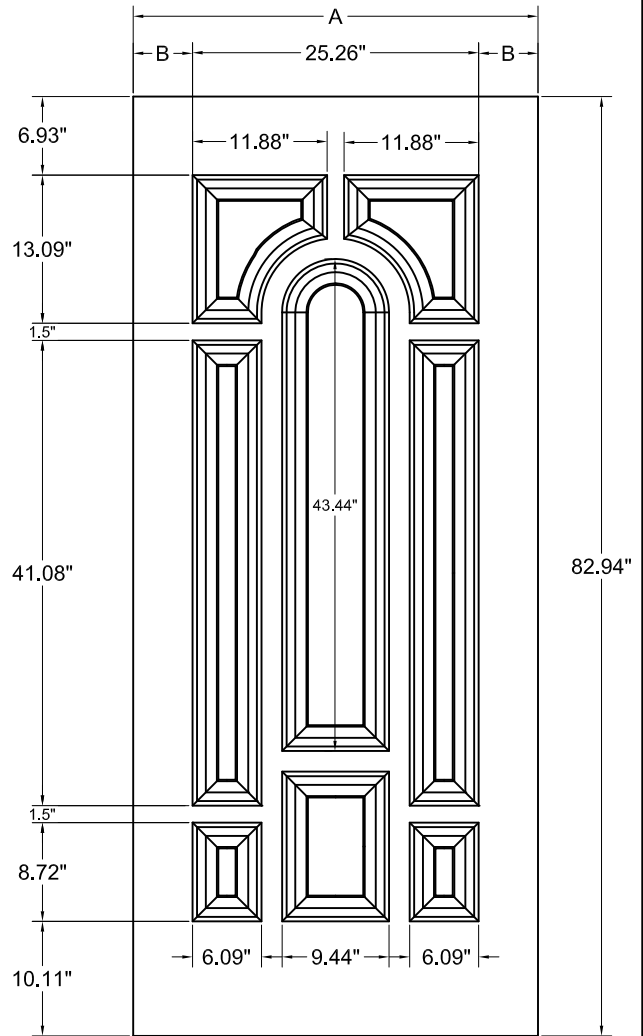
3 PANEL - 6'8" AND 7'0"
 TIMBERGRAIN
 FIBERGLASS DOORS

DWG#	XXII-5
DATE	4-22-14
NAME	KRB
SECTION	XXII
PAGE	5



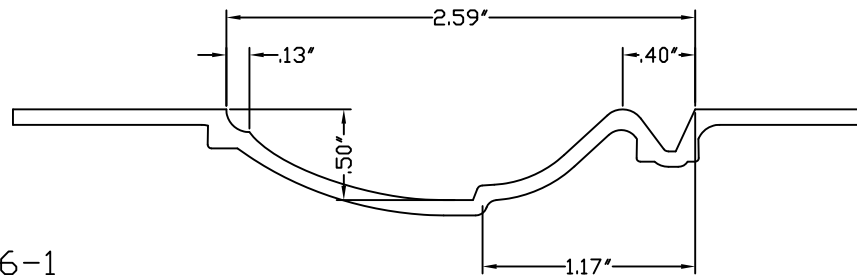
6'-8" 8 PANEL

WIDTH	"A"	"B"
3'0"	35.75"	5.24"
2'10"	33.75"	4.24"



7'-0" 8 PANEL

EMBOSSMENT PROFILE



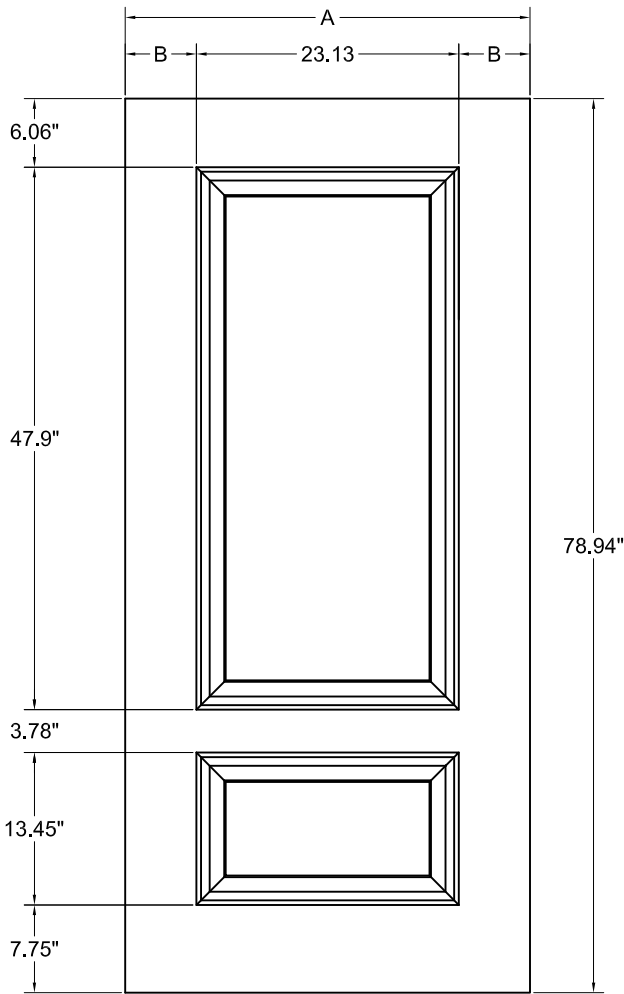
SCALE: 16-1



AMERICA'S DOORMAKER

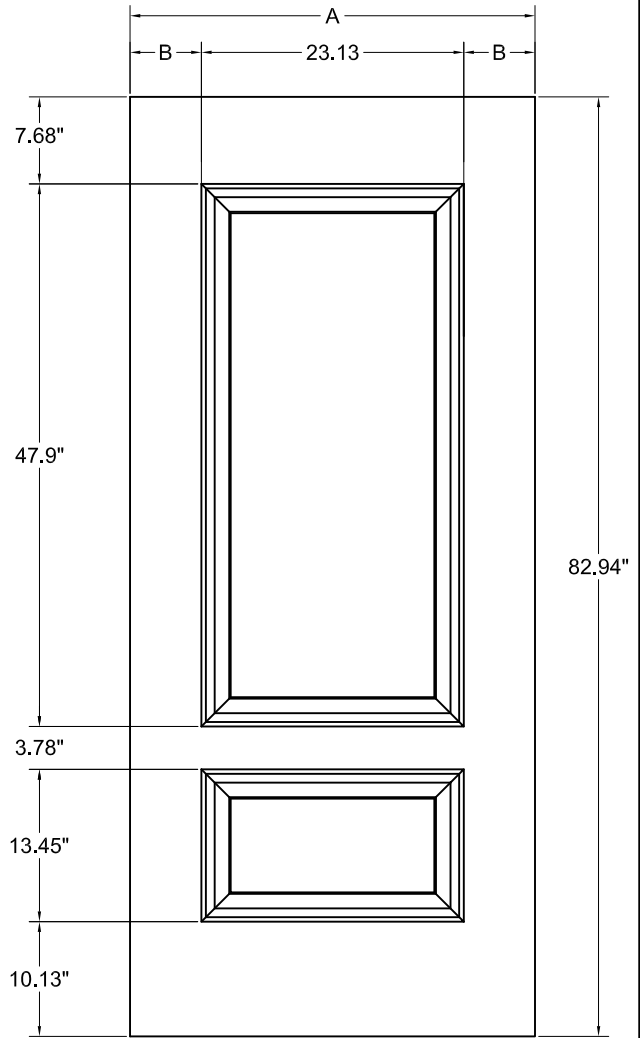
8 PANEL - 6'8" AND 7'0"
 TIMBERGRAIN
 FIBERGLASS DOORS

DWG#	XXII-6
DATE	4-22-14
NAME	KRB
SECTION	XXII
PAGE	6



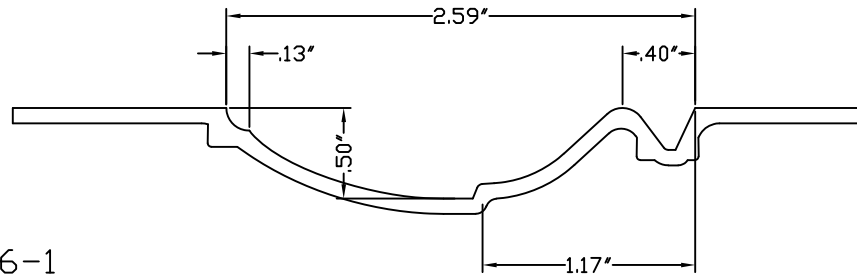
6'-8"

WIDTH	"A"	"B"
3'0"	35.75"	6.31"
2'10"	33.75"	5.31"
2'8"	31.75"	4.31"



7'-0"

EMBOSSMENT PROFILE

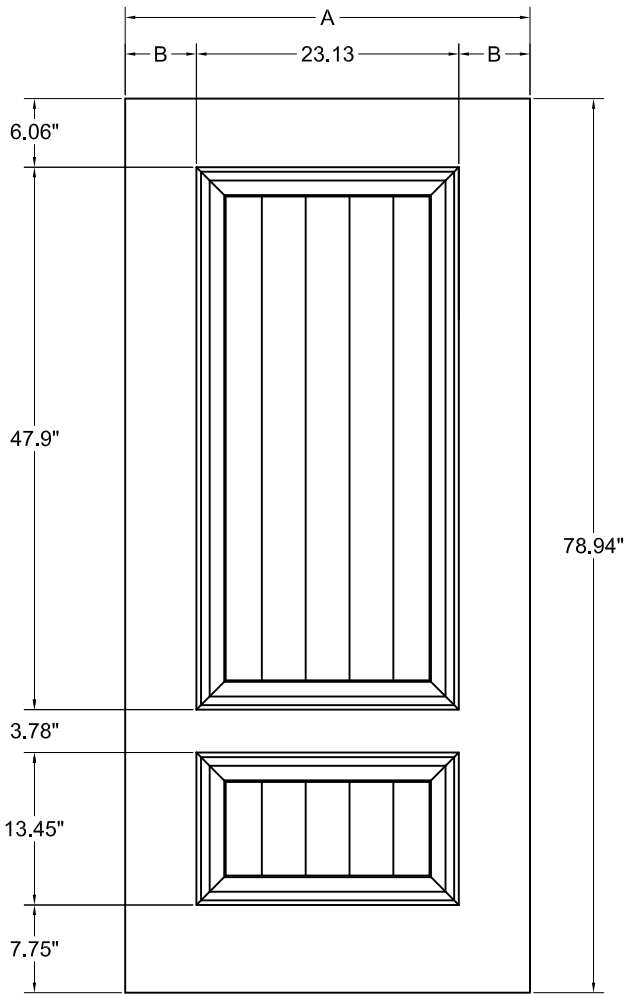


SCALE: 16-1



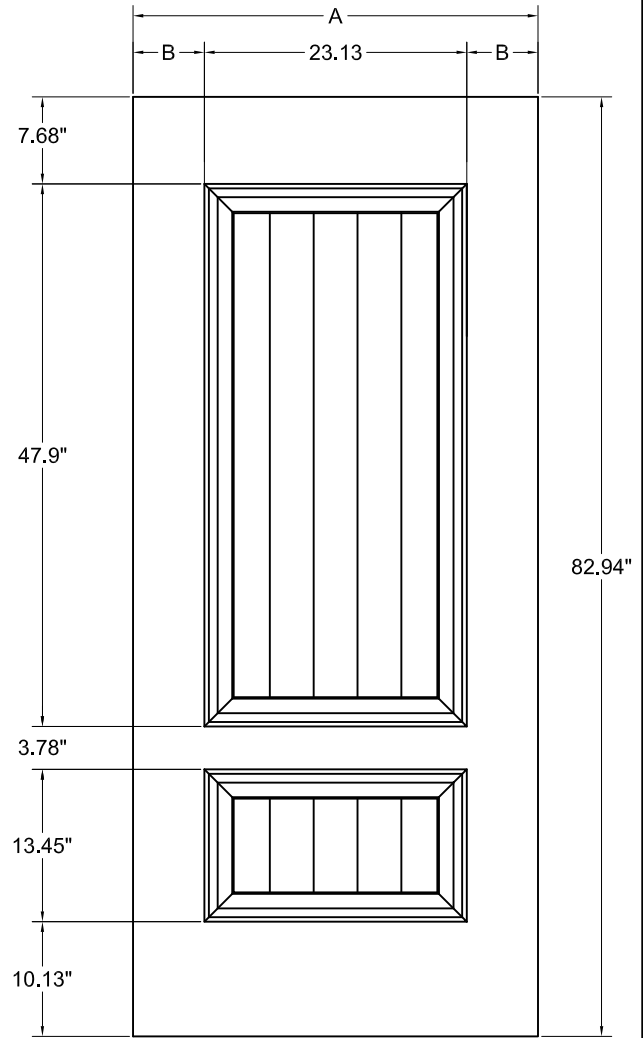
3/4 2 PANEL SQUARE
 TIMBERGRAIN 6'8" AND 7'0"
 FIBERGLASS DOORS

DWG#	XXII-6A
DATE	12-10-19
NAME	KRB
SECTION	XXII
PAGE	6A



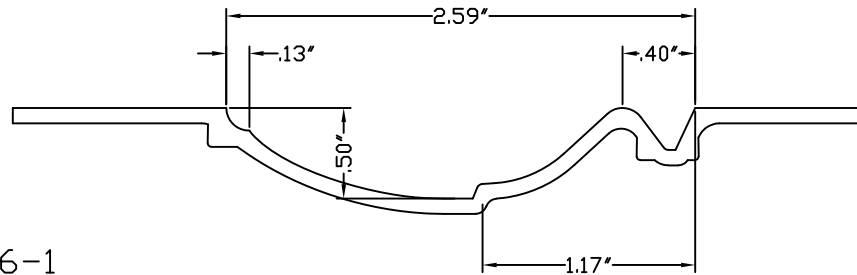
6'-8"

WIDTH	"A"	"B"
3'0"	35.75"	6.31"
2'10"	33.75"	5.31"
2'8"	31.75"	4.31"



7'-0"

EMBOSSMENT PROFILE

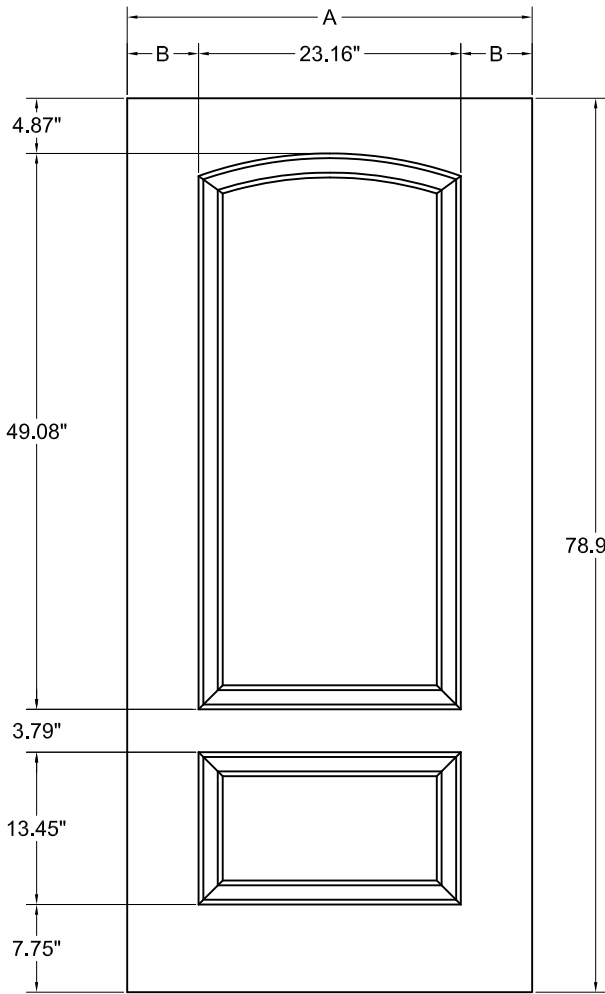


SCALE: 16-1



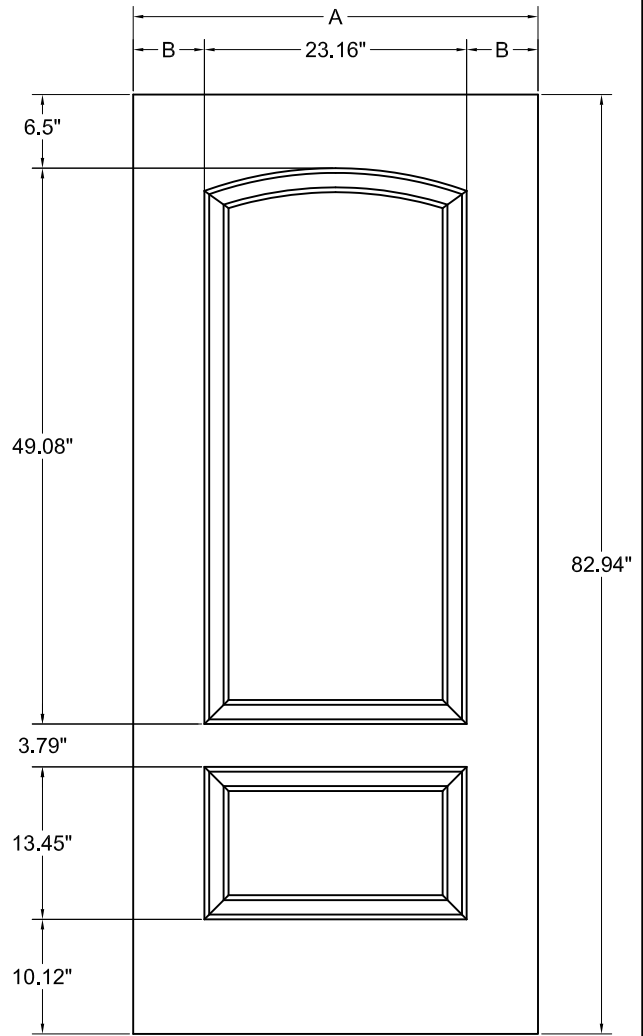
3/4 2 PANEL SQUARE PLANK
TIMBERGRAIN 6'8" AND 7'0"
FIBERGLASS DOORS

DWG#	XXII-6B
DATE	12-10-19
NAME	KRB
SECTION	XXII
PAGE	6A



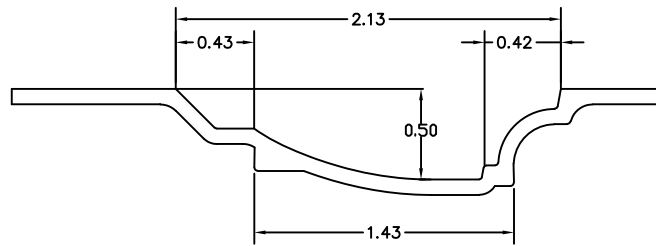
6'-8"

WIDTH	"A"	"B"
3'0"	35.75"	6.30"
2'10"	33.75"	5.30"
2'8"	31.75"	4.30"



7'-0"

EMBOSSMENT PROFILE

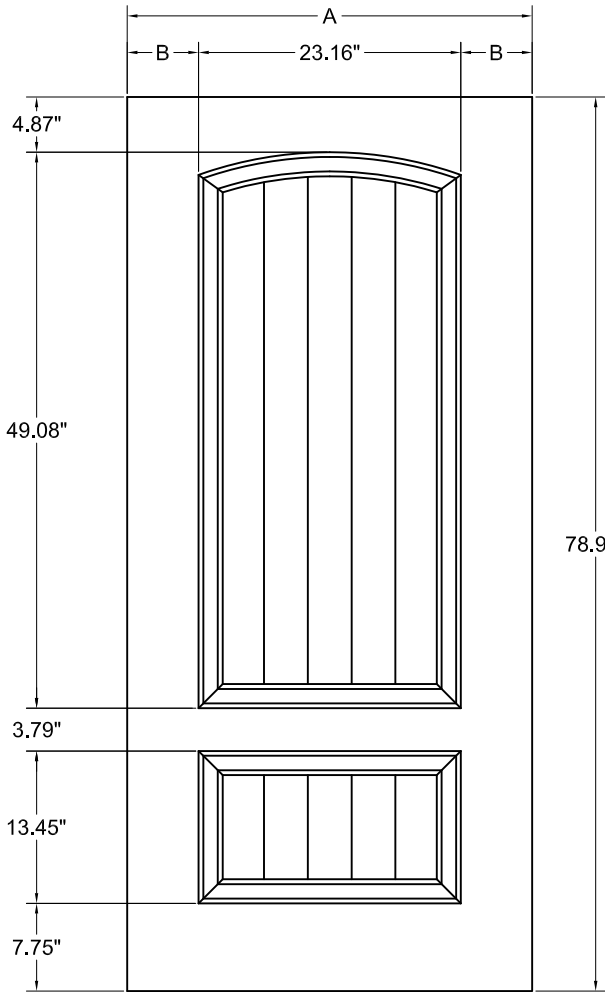


SCALE: 16-1



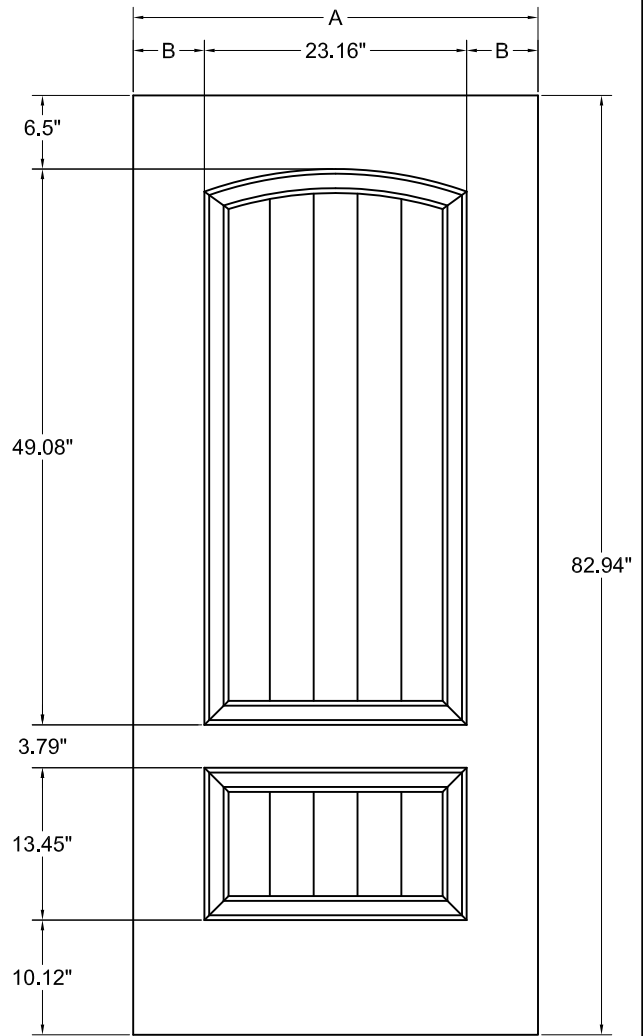
3/4 2 PANEL ARCH TOP
TIMBERGRAIN 6'8" AND 7'0"
FIBERGLASS DOORS

DWG#	XXII-7
DATE	12-10-19
NAME	KRB
SECTION	XXII
PAGE	7



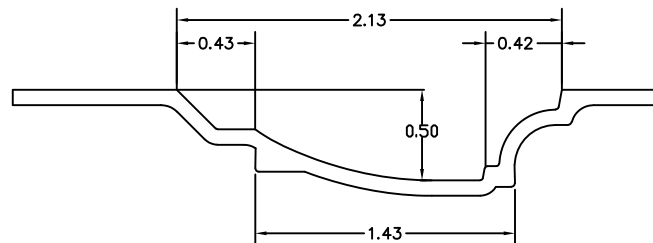
6'-8"

WIDTH	"A"	"B"
3'0"	35.75"	6.30"
2'10"	33.75"	5.30"
2'8"	31.75"	4.30"



7'-0"

EMBOSSMENT PROFILE



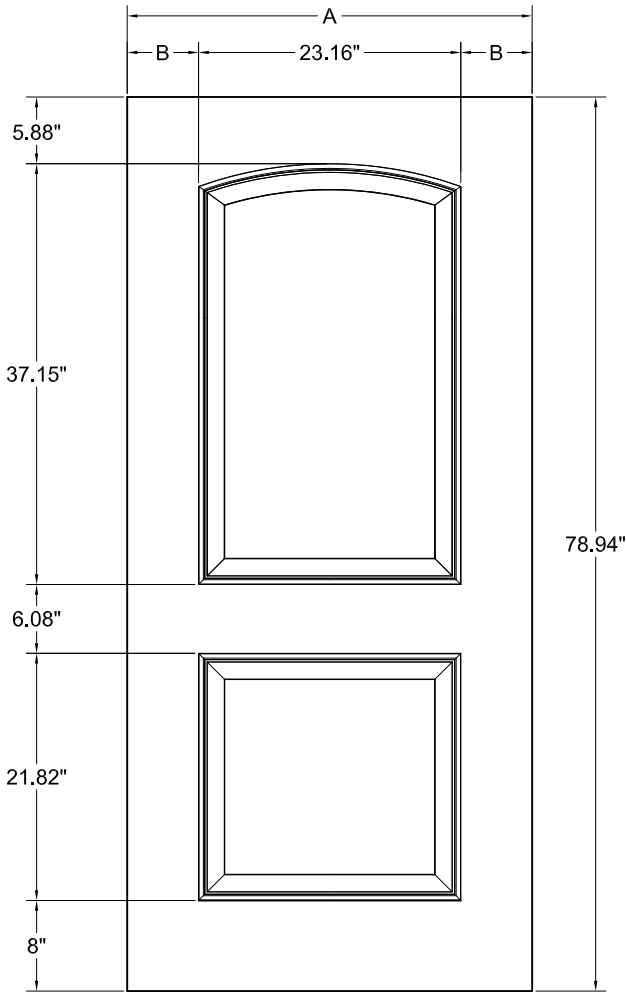
SCALE: 16-1



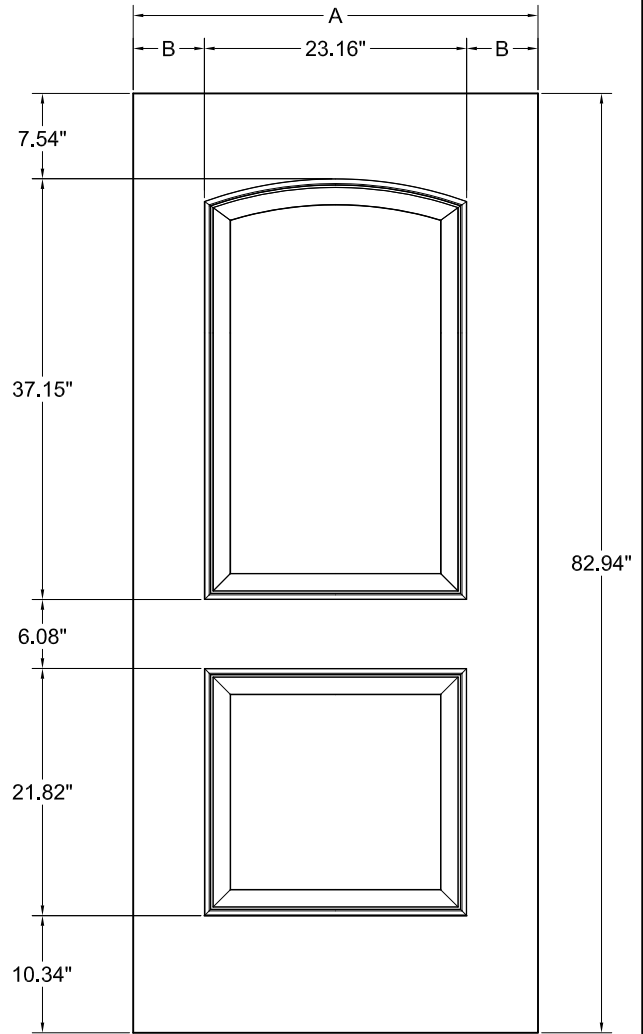
AMERICA'S DOORMAKER

3/4 2 PANEL ARCH TOP PLANK
 TIMBERGRAIN 6'8" AND 7'0"
 FIBERGLASS DOORS

DWG#	XXII-8
DATE	12-10-19
NAME	KRB
SECTION	XXII
PAGE	8



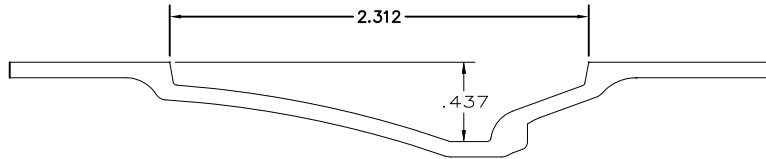
6'-8" 2 PANEL



7'-0" 2 PANEL

WIDTH	"A"	"B"
3'0"	35.75"	6.30"
2'10"	33.75"	5.30"
2'8"	31.75"	4.30"

EMBOSSMENT PROFILE



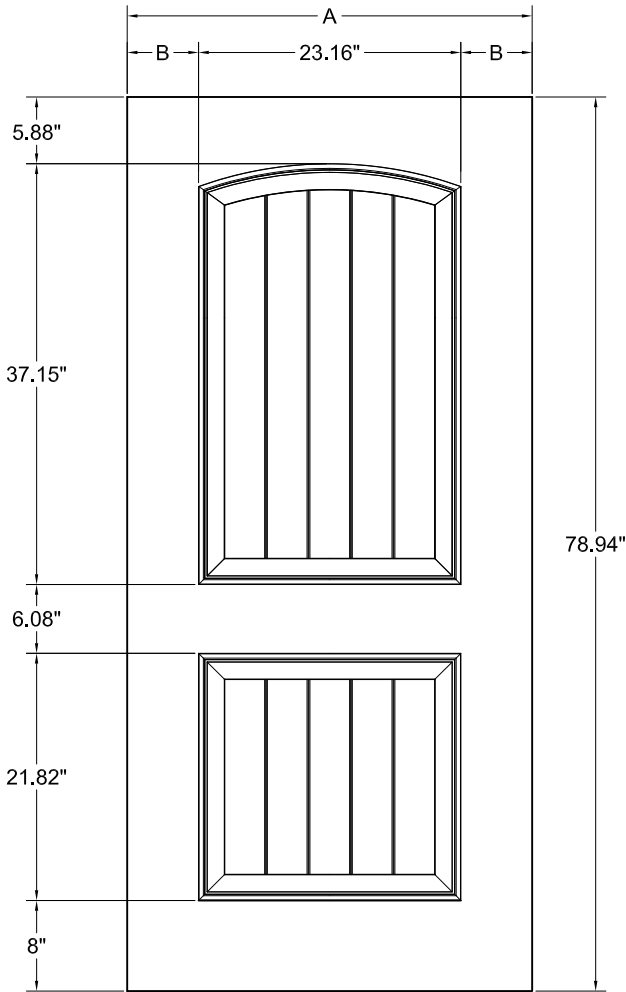
SCALE: 16X



AMERICA'S DOORMAKER

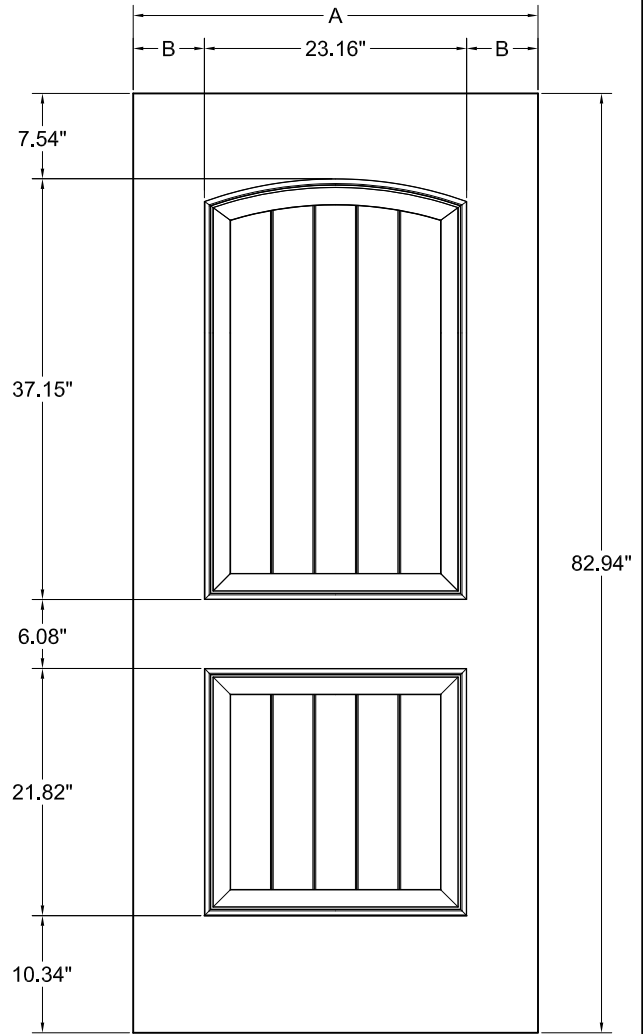
2 PANEL - 6'8" AND 7'0"
 TIMBERGRAIN - KNOTTY ALDER
 FIBERGLASS DOORS

DWG#	XXII-8A
DATE	4-23-14
NAME	KRB
SECTION	XXII
PAGE	8A



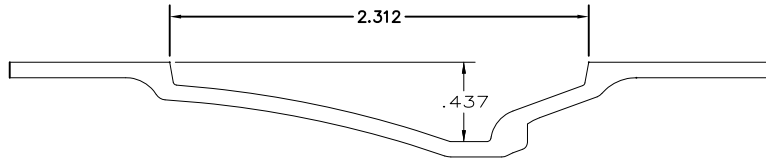
6'-8" 2 PANEL

WIDTH	"A"	"B"
3'0"	35.75"	6.30"
2'10"	33.75"	5.30"
2'8"	31.75"	4.30"



7'-0" 2 PANEL

EMBOSSMENT PROFILE



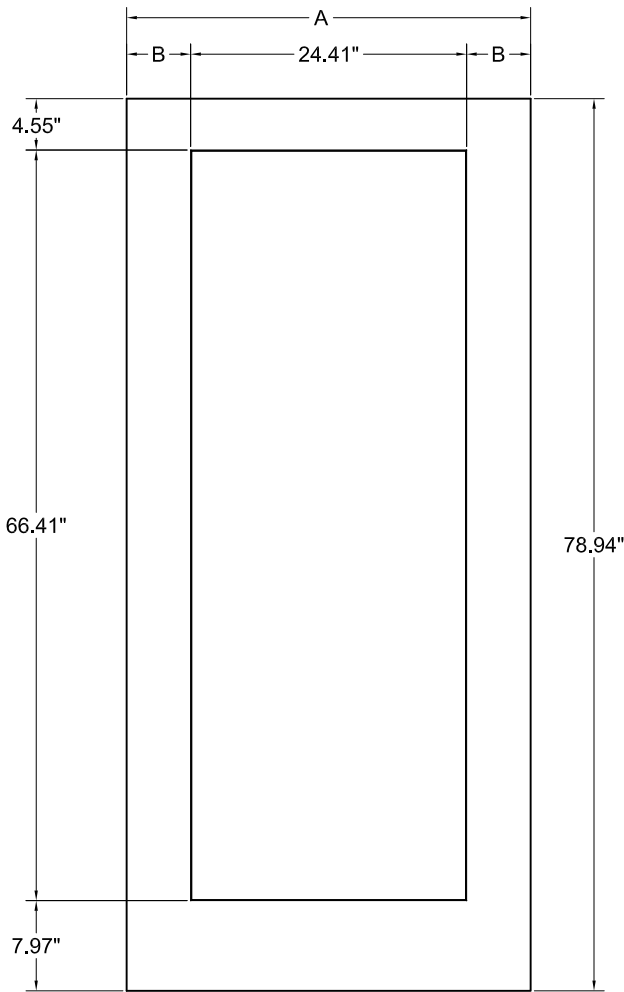
SCALE: 16X



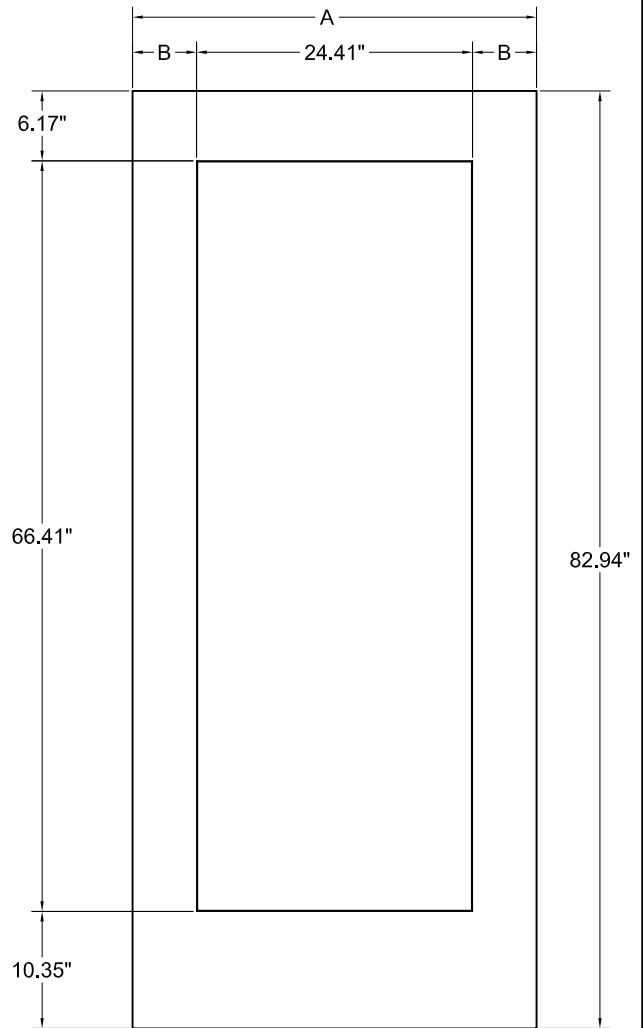
AMERICA'S DOORMAKER

2 PANEL PLANK - 6'8" AND 7'0"
 TIMBERGRAIN - KNOTTY ALDER
 FIBERGLASS DOORS

DWG#	XXII-8B
DATE	4-23-14
NAME	KRB
SECTION	XXII
PAGE	8B

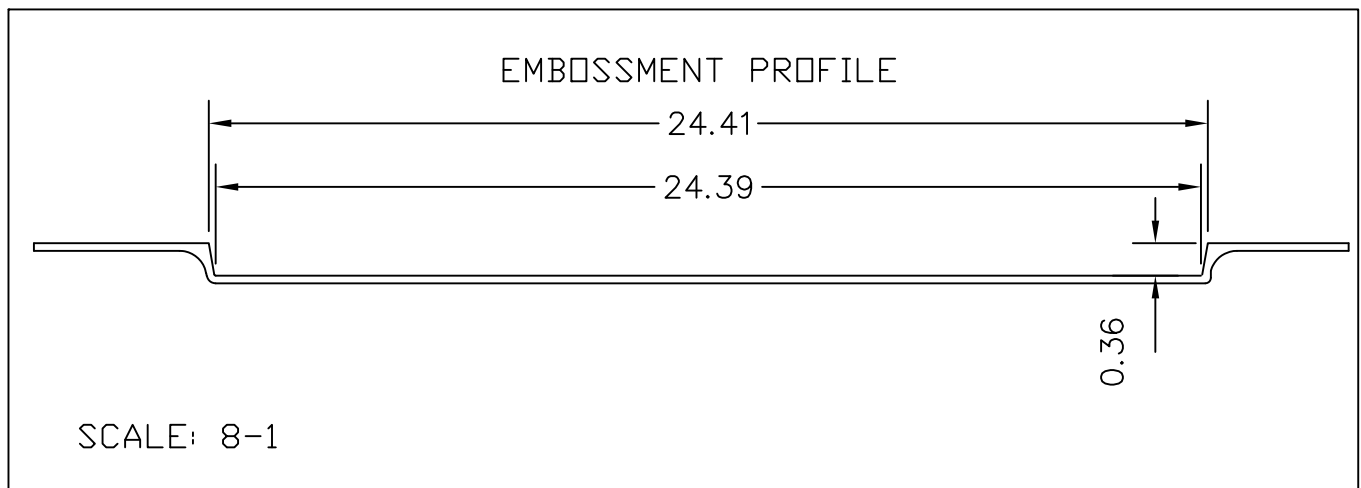


6'-8" FIR 1 PANEL



7'-0" FIR 1 PANEL

WIDTH	"A"	"B"
3'0"	35.75"	5.67"
2'10"	33.75"	4.67"



SCALE: 8-1

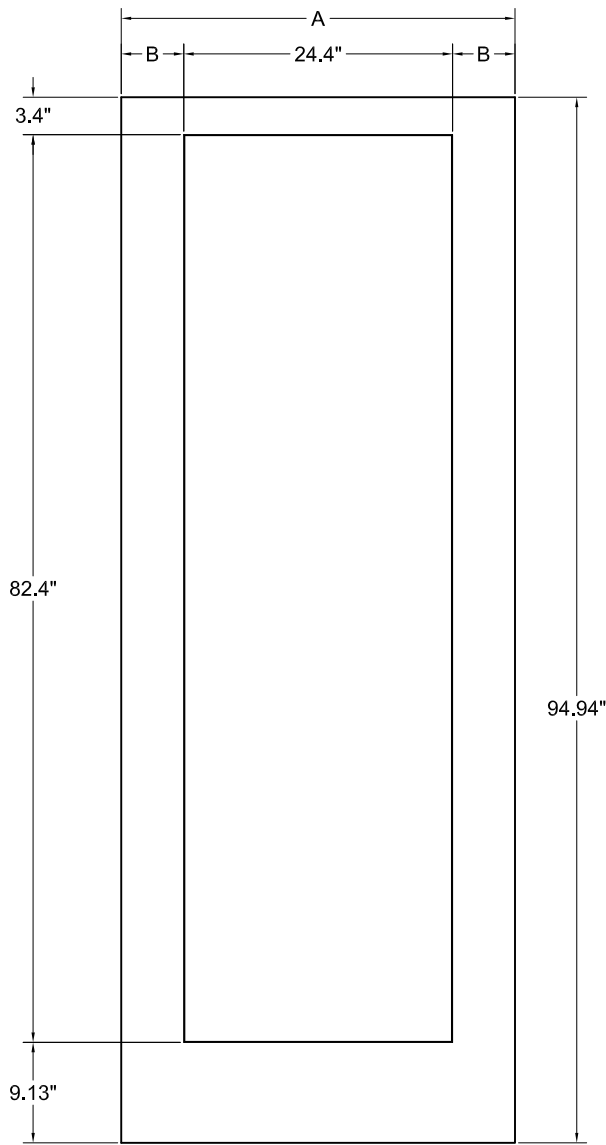
10-29-20



AMERICA'S DOORMAKER

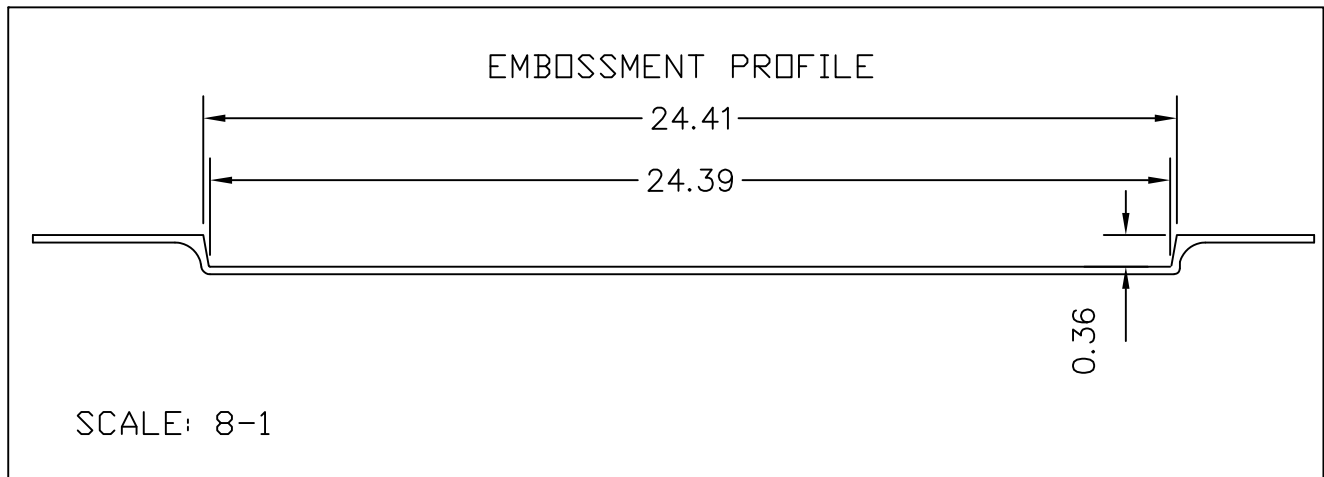
1 PANEL FIR - 6'8" AND 7'0"
TIMBERGRAIN
FIBERGLASS DOORS

DWG#	XXII-9A
DATE	4-4-14
NAME	KRB
SECTION	XXII
PAGE	9A



WIDTH	'A'	'B'
3'0"	35.75'	5.67'
2'10"	33.75'	4.67'

8'-0" 1 PANEL FIR



SCALE: 8-1

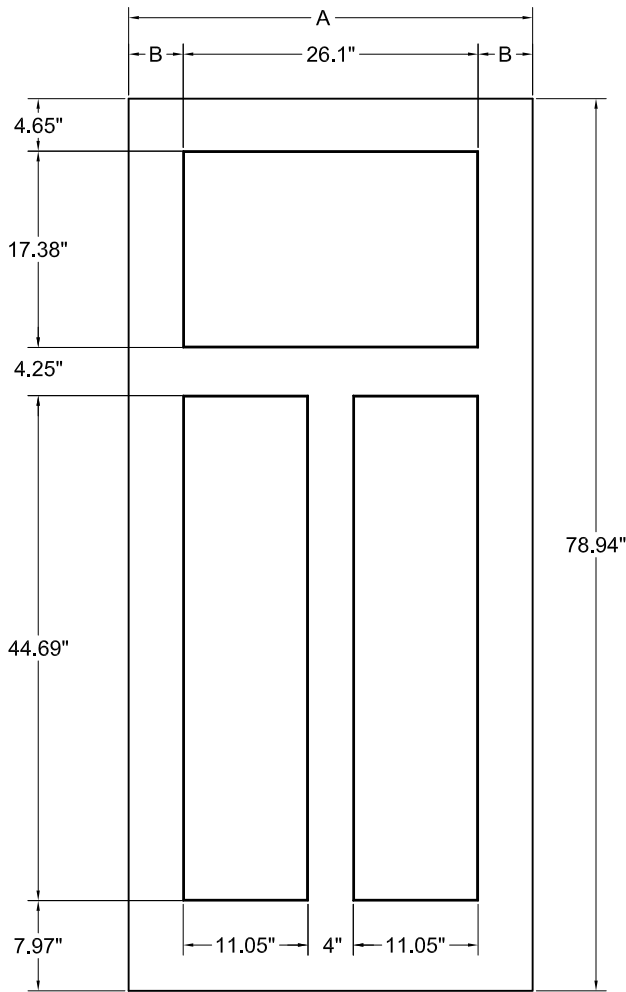
10-29-20



AMERICA'S DOORMAKER

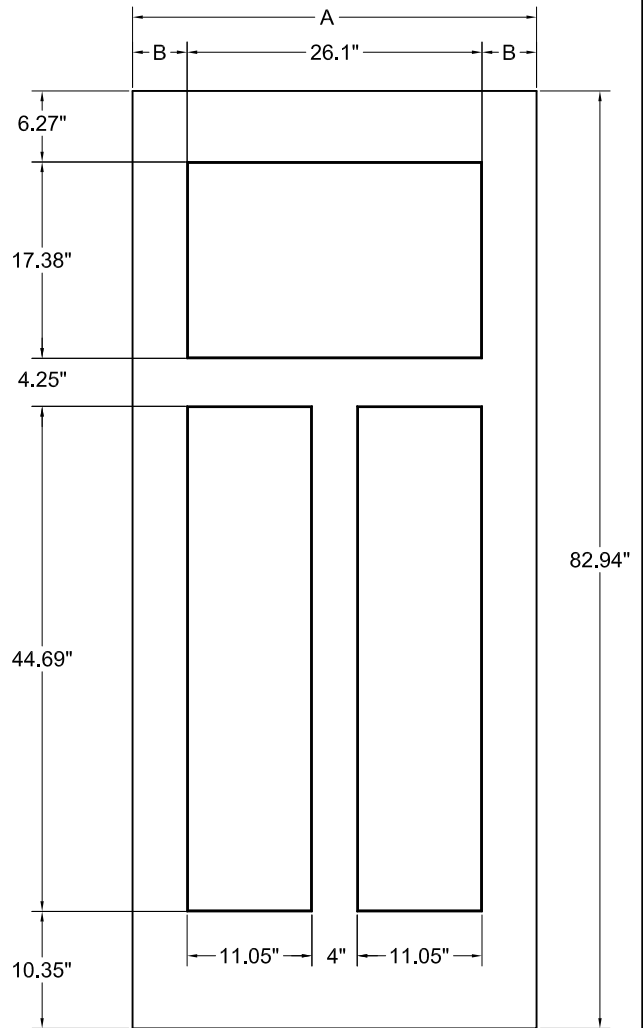
1 PANEL FIR - 8'0"
 TIMBERGRAIN
 FIBERGLASS DOORS

DWG#	XXII-9B
DATE	4-4-19
NAME	KRB
SECTION	XXII
PAGE	10

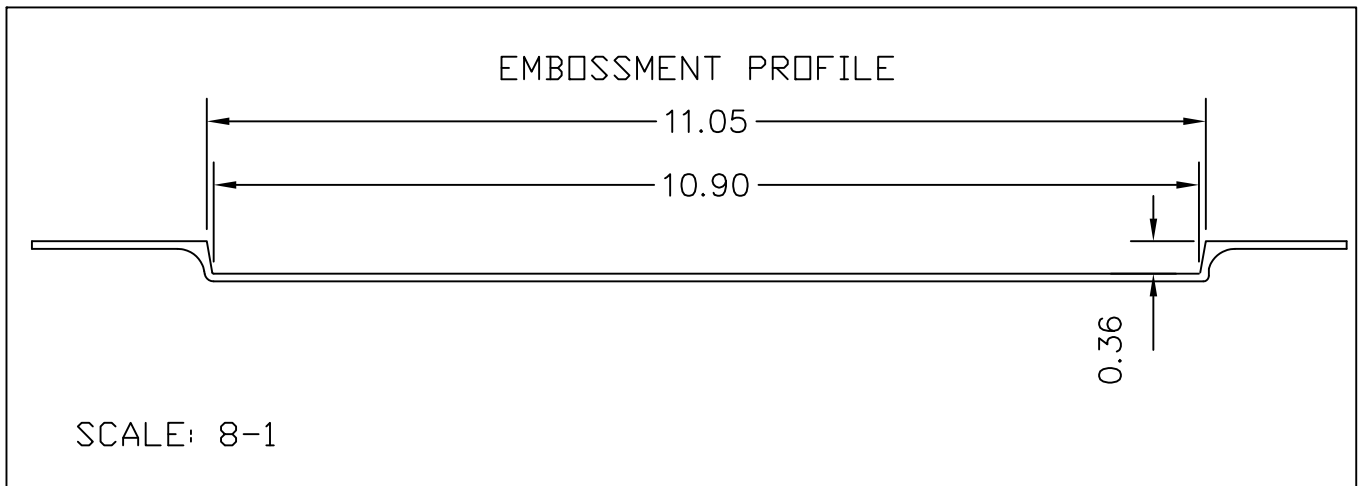


6'-8" CRAFTSMAN

WIDTH	"A"	"B"
3'0"	35.75"	4.83"
2'10"	33.75"	3.83"

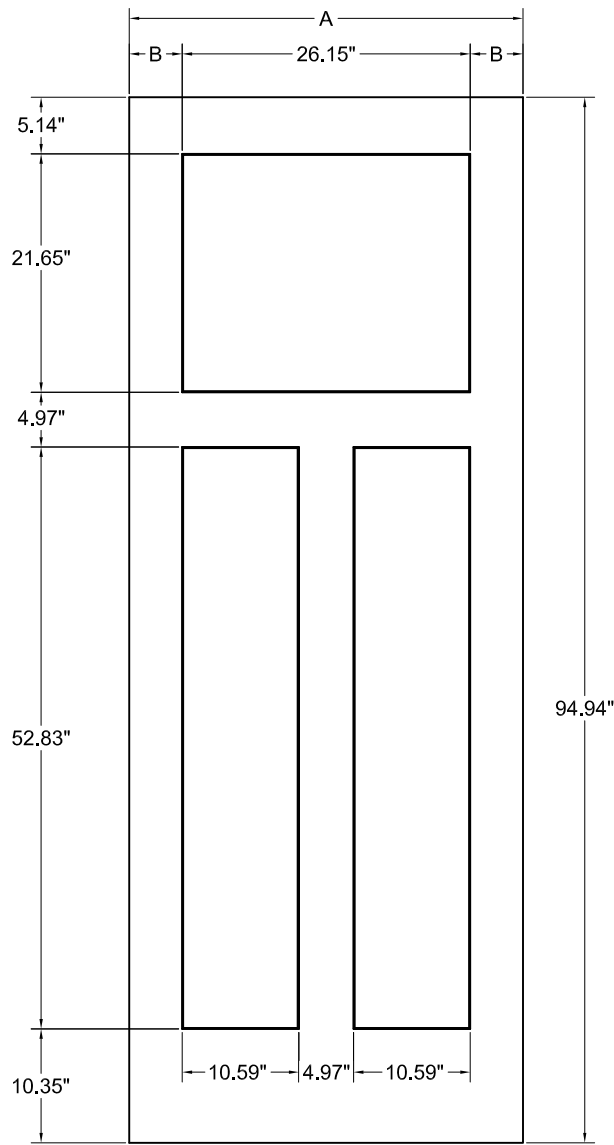


7'-0" CRAFTSMAN



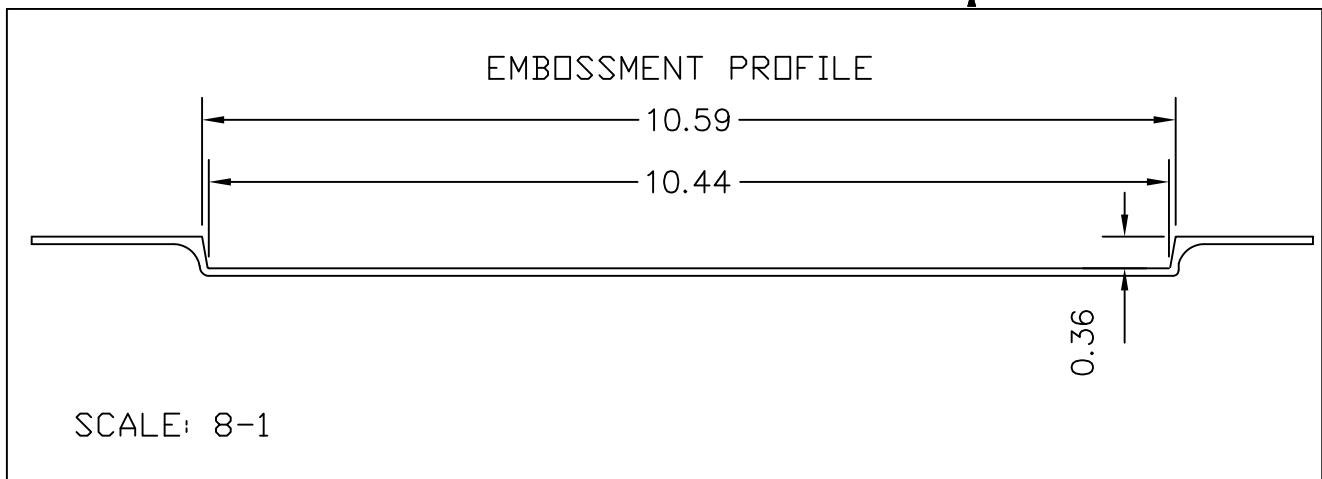
CRAFTSMAN - 6'8" AND 7'0"
 TIMBERGRAIN
 FIBERGLASS DOORS

DWG#	XXII-9
DATE	4-23-14
NAME	KRB
SECTION	XXII
PAGE	9



WIDTH	'A'	'B'
3'0"	35.75'	4.80'
2'10"	33.75'	3.80'

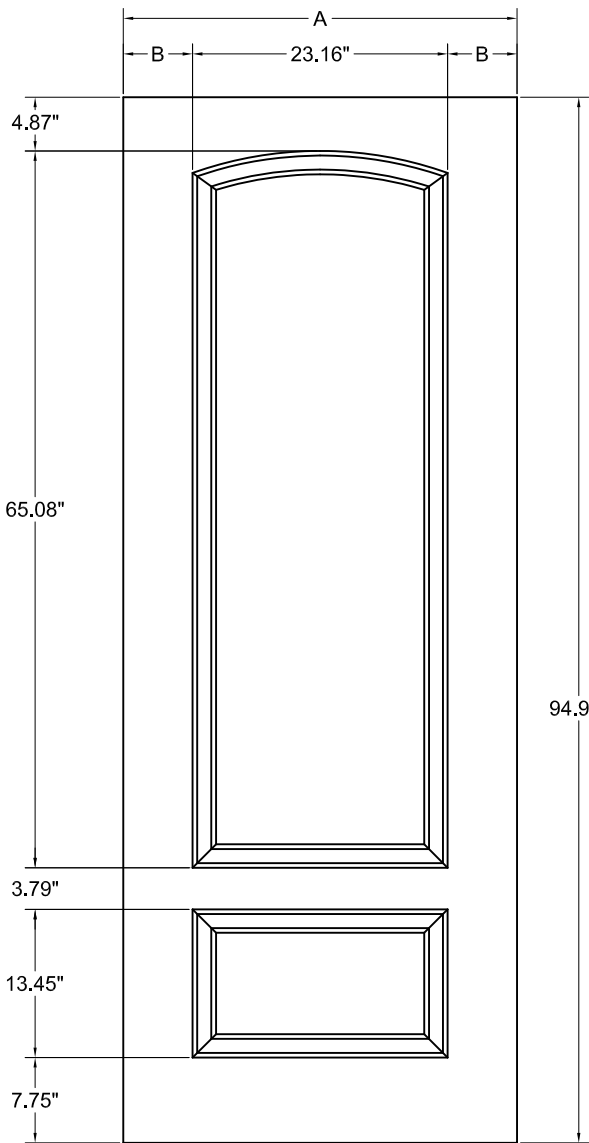
8'-0" 3 PANEL FIR CRAFTSMAN



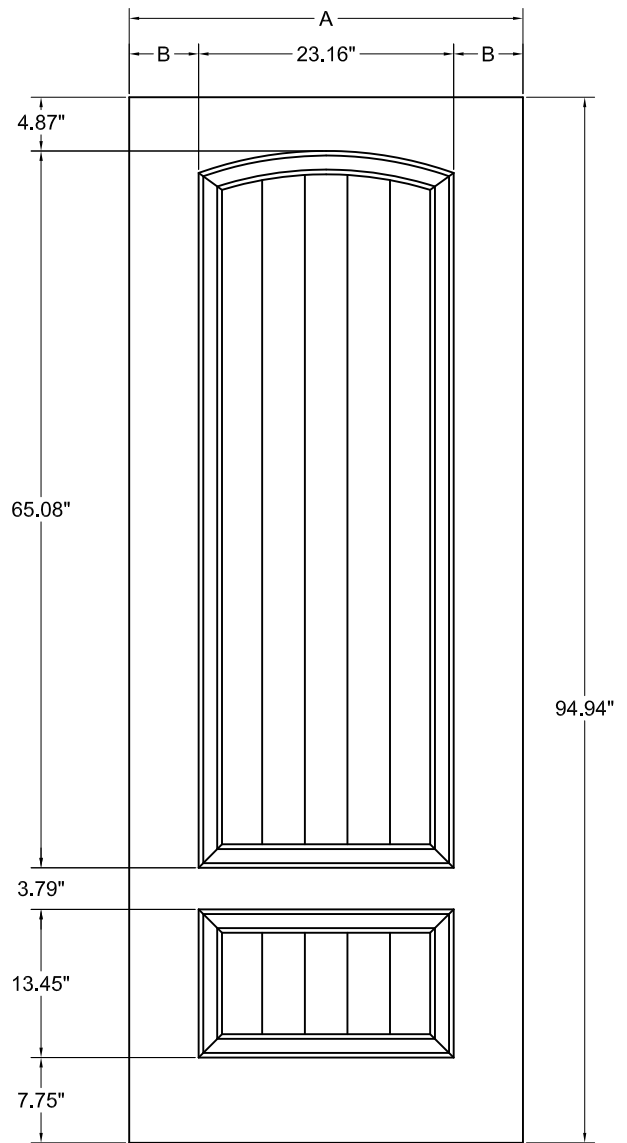
AMERICA'S DOORMAKER

3 PANEL FIR CRAFT - 8'0"
TIMBERGRAIN
FIBERGLASS DOORS

DWG#	XXII-9C
DATE	4-4-19
NAME	KRB
SECTION	XXII
PAGE	10



8'-0" 3/4 2 PANEL



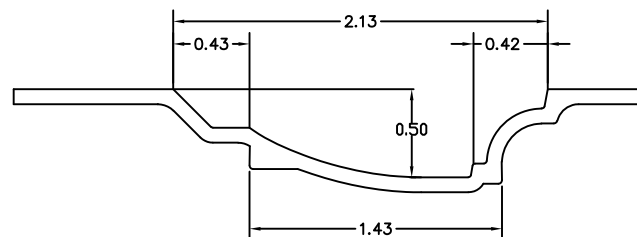
8'-0" 3/4 2 PANEL PLANK

WIDTH	'A'	'B'
3'0"	35.75'	6.30'
2'10"	33.75'	5.30'
2'8"	31.75'	4.30'

94.94"

94.94"

EMBOSSMENT PROFILE

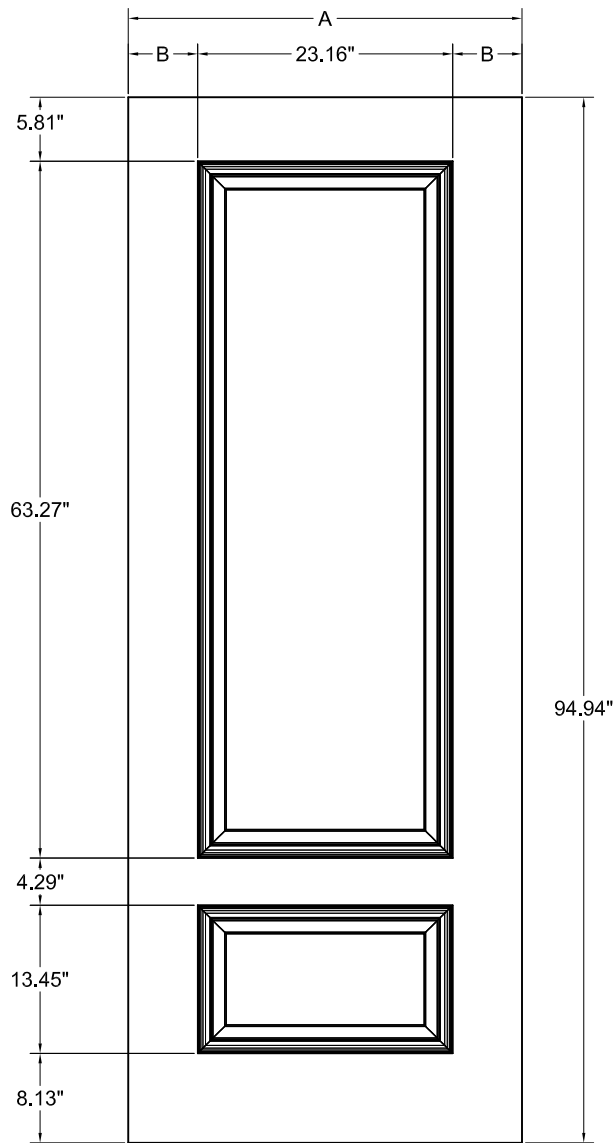


SCALE: 16-1



3/4 2 PANEL / 2 PANEL PLANK
 TIMBERGRAIN 8'0"
 FIBERGLASS DOORS

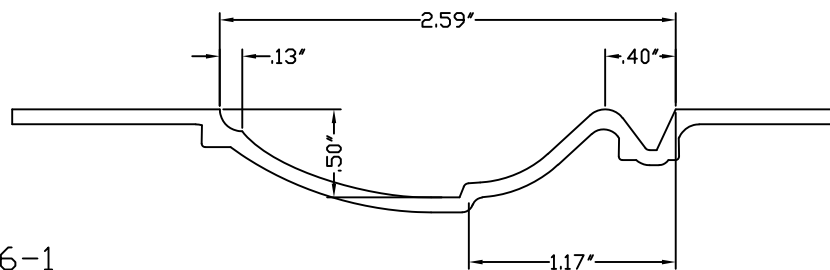
DWG#	XXII-10
DATE	12-10-19
NAME	KRB
SECTION	XXII
PAGE	10



WIDTH	'A'	'B'
3'0"	35.75"	6.30"
2'10"	33.75"	5.30"
2'8"	31.75"	4.30"

8'-0" 3/4 2 PANEL SQUARE

EMBOSSMENT PROFILE

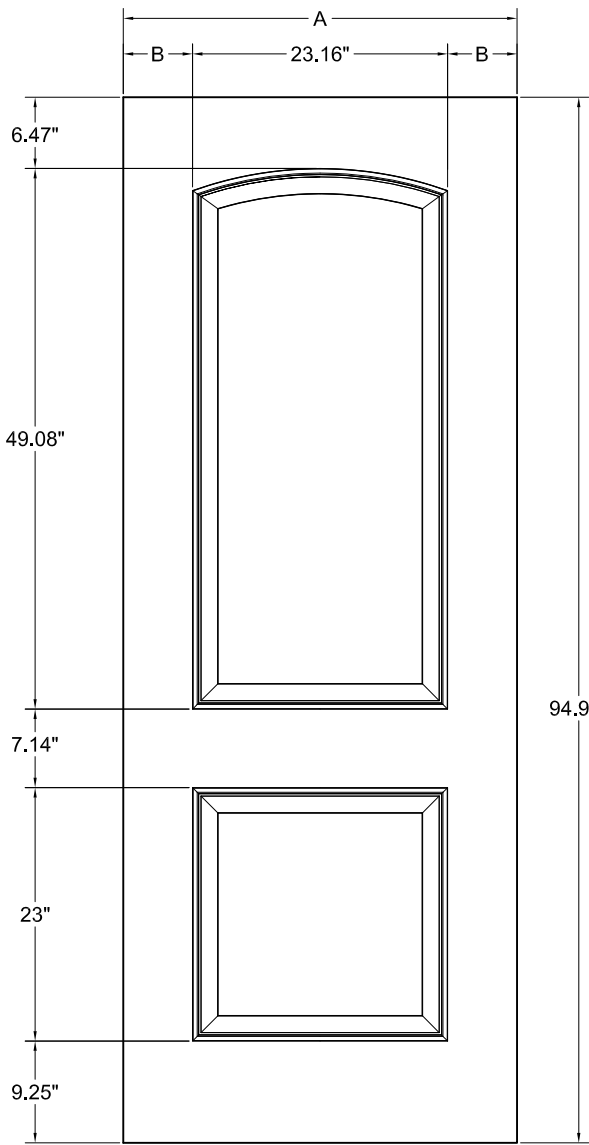


SCALE: 16-1

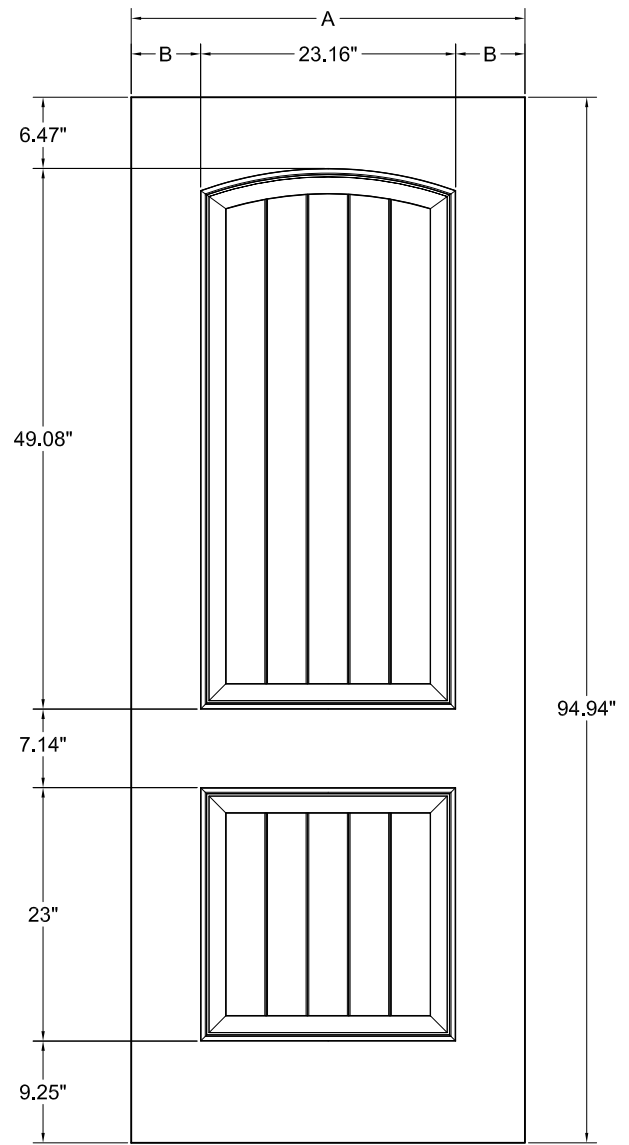


3/4 2 PANEL SQUARE
 TIMBERGRAIN 8'0"
 FIBERGLASS DOORS

DWG#	XXII-10G
DATE	12-10-19
NAME	KRB
SECTION	XXII
PAGE	10



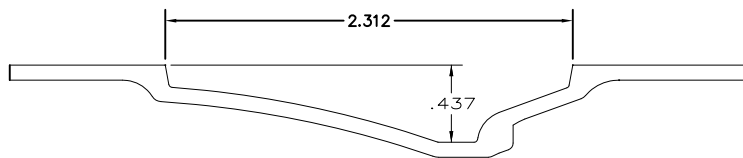
8'-0" 2 PANEL



8'-0" 2 PANEL PLANK

WIDTH	'A'	'B'
3'0"	35.75'	6.30'
2'10"	33.75'	5.30'
2'8"	31.75'	4.30'

EMBOSSMENT PROFILE

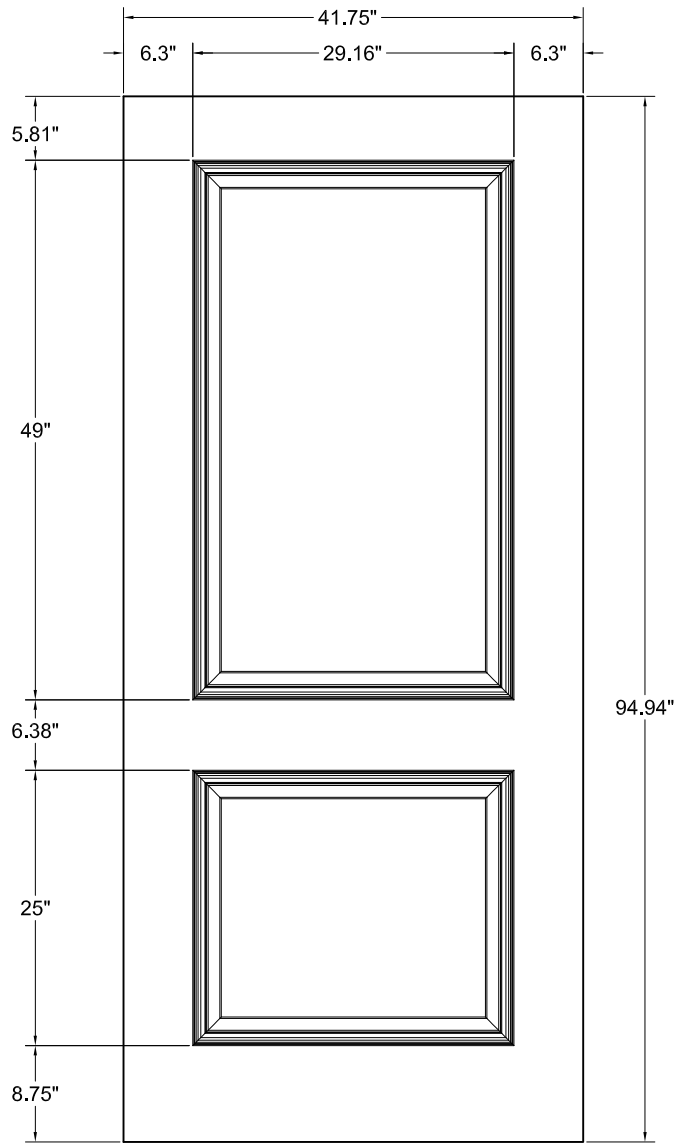


SCALE: 16X



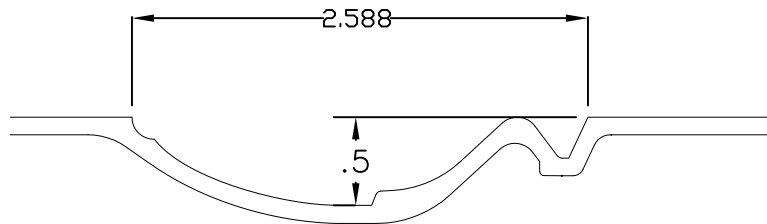
2 PANEL / 2 PANEL PLANK - 8'0"
 TIMBERGRAIN - KNOTTY ALDER
 FIBERGLASS DOORS

DWG#	XXII-10A
DATE	4-23-14
NAME	KRB
SECTION	XXII
PAGE	10A



3'6" X 8'-0" 2 PANEL

EMBOSSMENT PROFILE

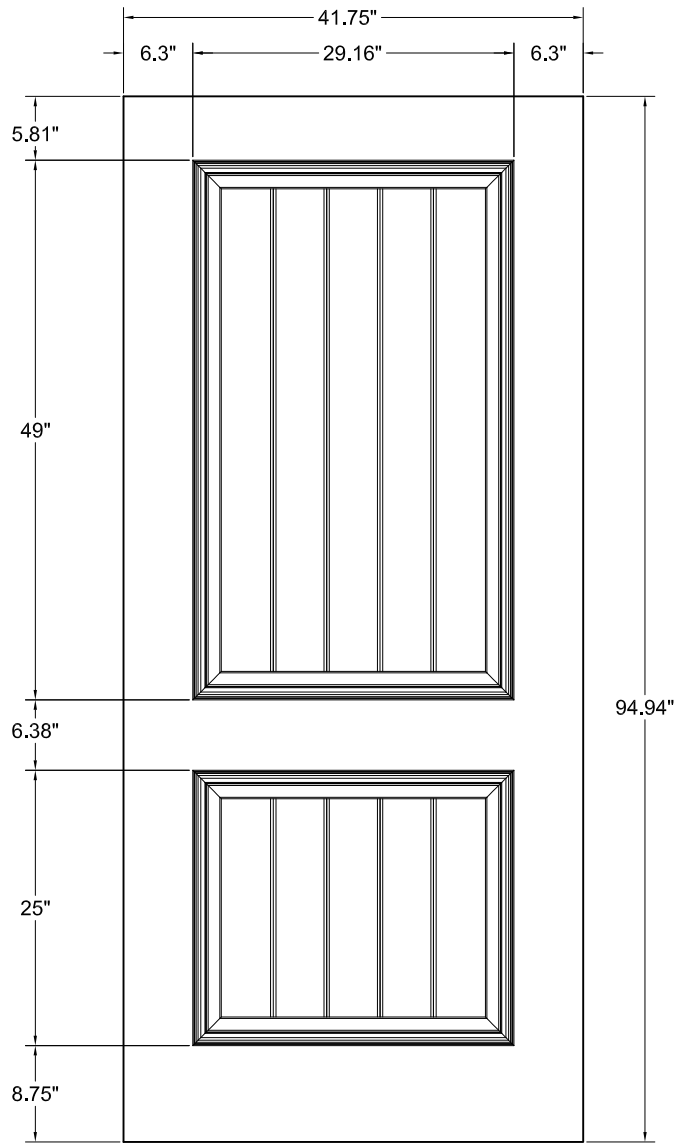


SCALE: 16X



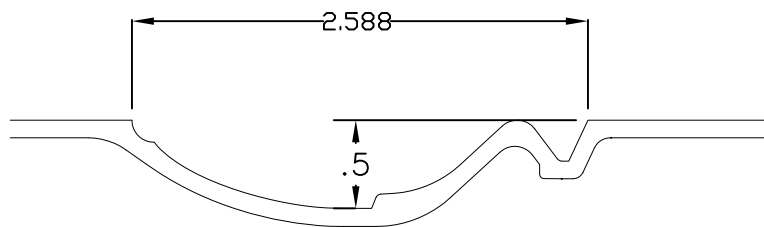
2 PANEL - 8'0"
TIMBERGRAIN - CHERRY 3'6" WIDE
FIBERGLASS DOORS

DWG#	XXII-10B
DATE	2-26-16
NAME	KRB
SECTION	XXII
PAGE	10B



3'6" X 8'-0" 2 PANEL

EMBOSSMENT PROFILE

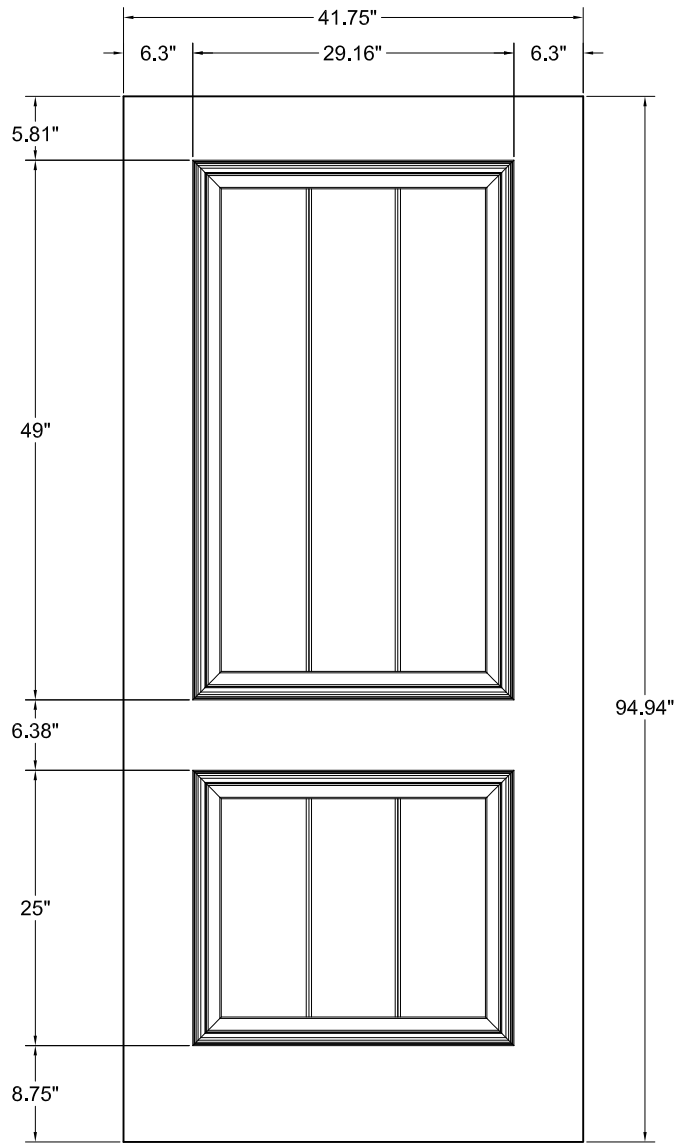


SCALE: 16X



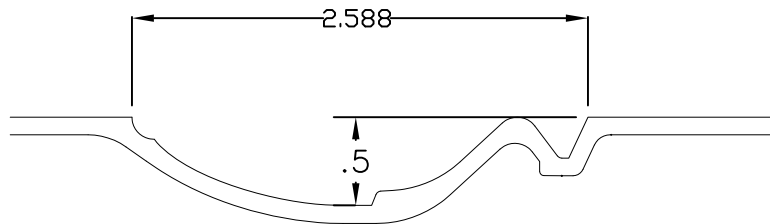
2 PANEL PLANK - 8'0"
TIMBERGRAIN - CHERRY 3'6" WIDE
FIBERGLASS DOORS

DWG#	XXII-10C
DATE	6-15-16
NAME	KRB
SECTION	XXII
PAGE	10B



3'6" X 8'-0" 2 PANEL

EMBOSSMENT PROFILE

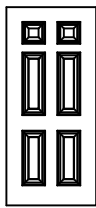


SCALE: 16X

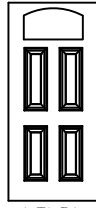


2 PANEL WIDE PLANK - 8'0"
TIMBERGRAIN - CHERRY 3'6" WIDE
FIBERGLASS DOORS

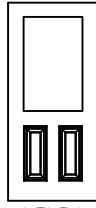
DWG#	XXII-10D
DATE	6-15-16
NAME	KRB
SECTION	XXII
PAGE	10B



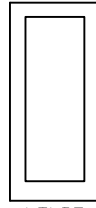
6-PANEL



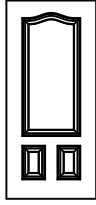
LTL D1



LTL D4



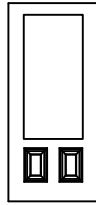
LTL D7



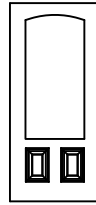
3-PANEL



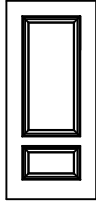
LTL D2



LTL D6



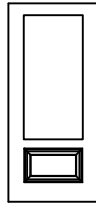
LTL D8



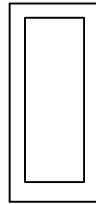
2-PANEL SQ/
SQ PLANK



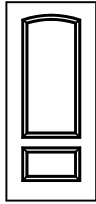
LTL D2



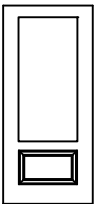
LTL D6



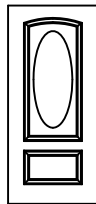
LTL D7



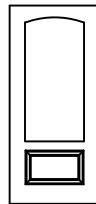
2-PANEL
ARCH/PLANK



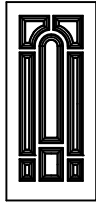
LTL D6



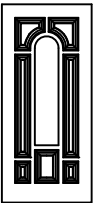
LTL D2



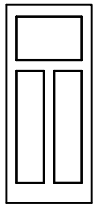
LTL D8



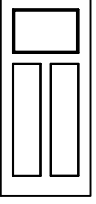
8-PANEL



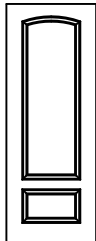
LTL D3



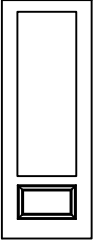
6'8" / 7'0"
CRAFTSMAN



LTL D5



8' 2-PANEL
ARCH/PLANK



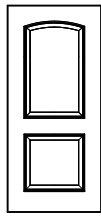
LTL D7



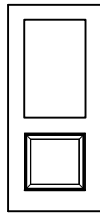
AMERICA'S DOORMAKER

TIMBERGRAIN
DOOR CUTOUT OPTIONS
PER EMBOSSEMENT

DWG#	XXII-15
DATE	3-3-20
NAME	KRB
SECTION	XXII
PAGE	15



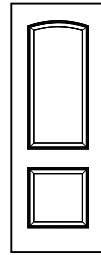
2-PANEL
KA
2-PANEL
KA PLANK



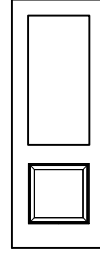
LTL D4



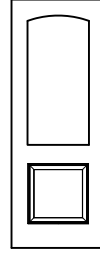
LTL D7



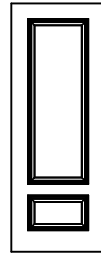
8' 2-PANEL
KA/ KA PLANK



LTL D6



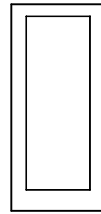
LTL D8



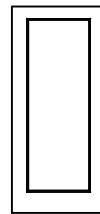
8' 2-PANEL
SQ. CHERRY



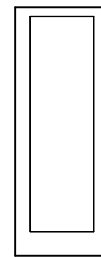
LTL D7



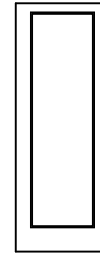
1-PANEL
6'8, 7'0"
FIR



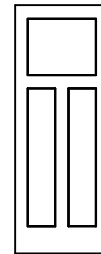
LTL D9



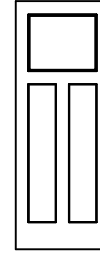
8' 1-PANEL
FIR



LTL D10



8' 3-PANEL
CRAFTSMAN
FIR



LTL D11

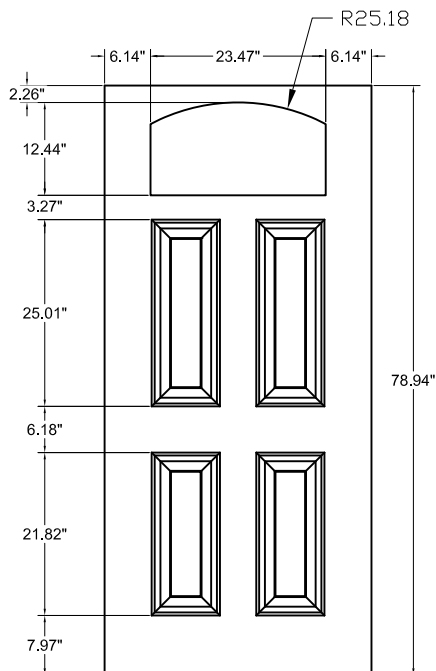


AMERICA'S DOORMAKER

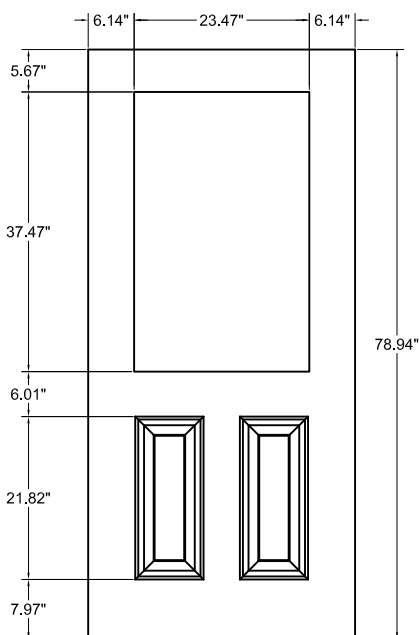
TIMBERGRAIN
DOOR CUTOUT OPTIONS
PER EMBOSSEMENT

DWG#	XXII-15a
DATE	3-3-20
NAME	KRB
SECTION	XXII
PAGE	15

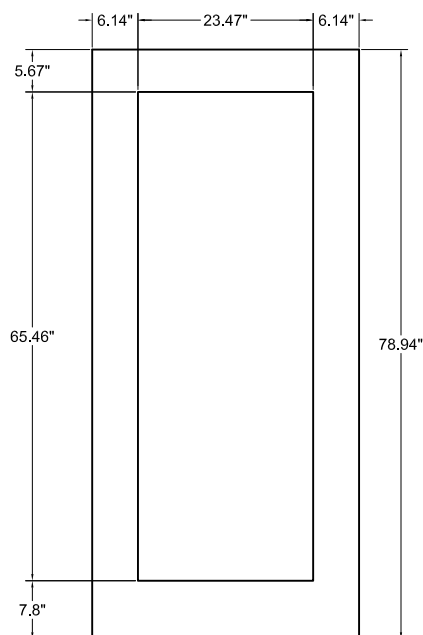
NOTE: ALL DIMENSIONS FOR
3'0" X 6'8" DOOR



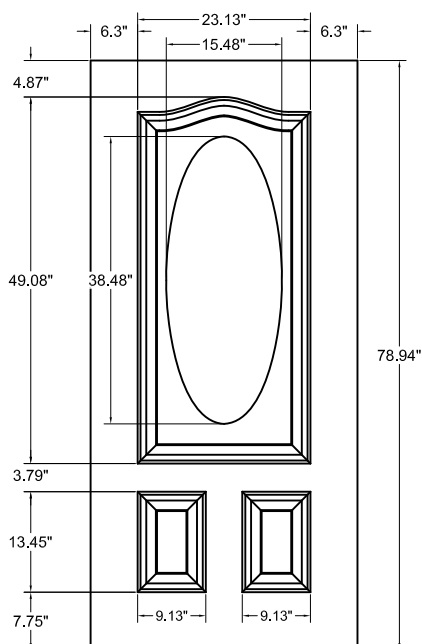
LTL D1
GLASS-22"X11" CAMBER
CUTOUT-12.44"X23.47"



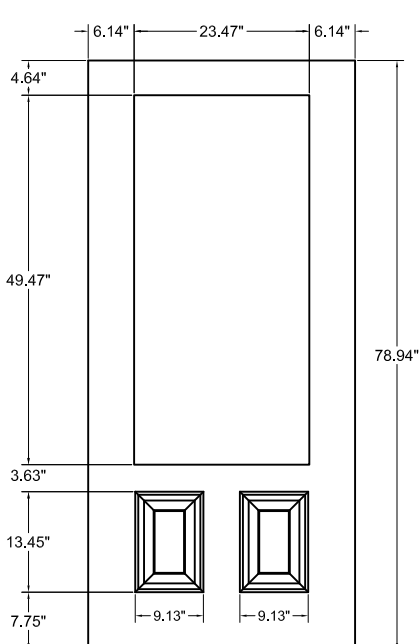
LTL D4
GLASS-22"X36"
CUTOUT-23.47"X37.47"



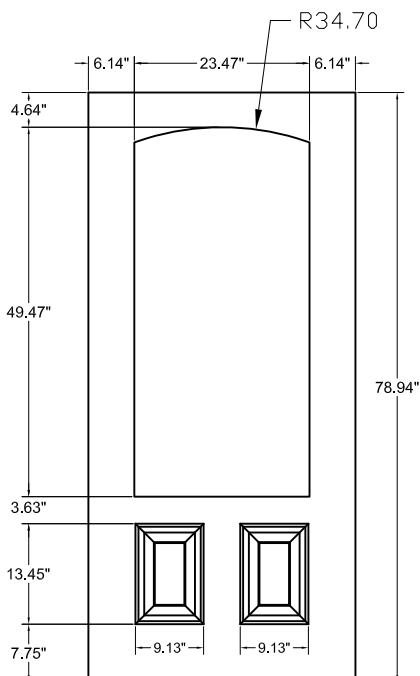
LTL D7
GLASS-22"X64"
CUTOUT-23.47"X65.46"



LTL D2
GLASS-14"X37"
CUTOUT-15.48"X38.48"



LTL D6
GLASS-22"X48"
CUTOUT-23.47"X49.47"



LTL D8
GLASS-22"X48"
CUTOUT-23.47"X49.47"

NOTE: FOR 7'0" DOORS ADD
2 3/8" TO BOTTOM RAIL
AND 1 5/8" TO TOP RAIL

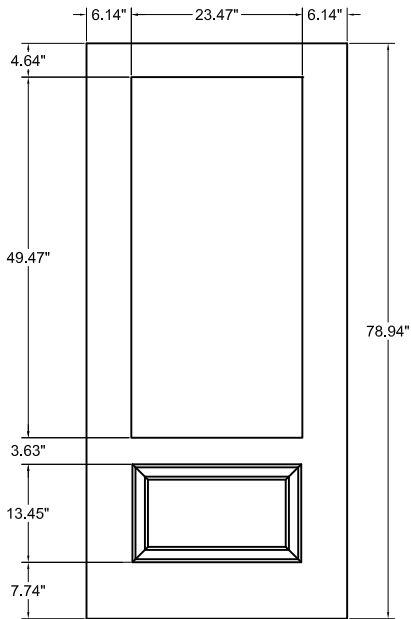


TIMBERGRAIN
LITE CUTOUT DIMENSIONAL DETAIL

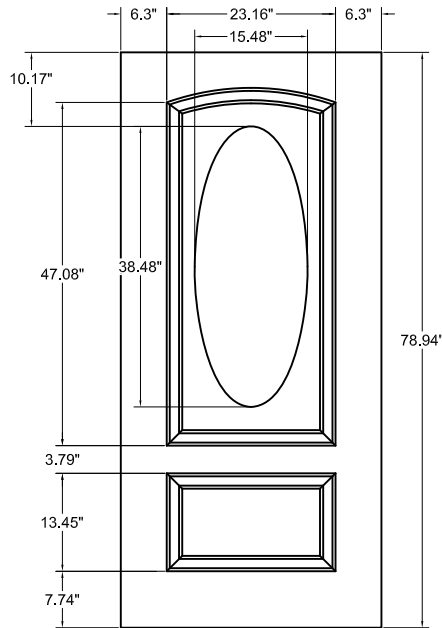
DWG#	XXII-16
DATE	6-15-16
NAME	KRB
SECTION	XXII
PAGE	16

NOTE: FOR 7'0" DOORS ADD
2 3/8" TO BOTTOM RAIL
AND 1 5/8" TO TOP RAIL

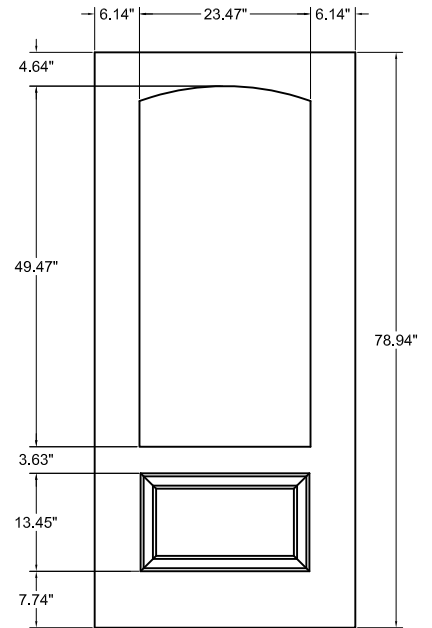
NOTE: ALL DIMENSIONS FOR
3'0" X 6'8" DOOR



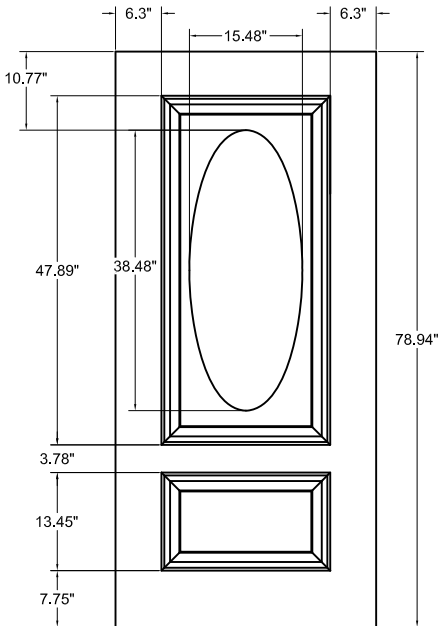
LTL D6
GLASS-22"X48"
CUTOUT-23.47"X49.47"



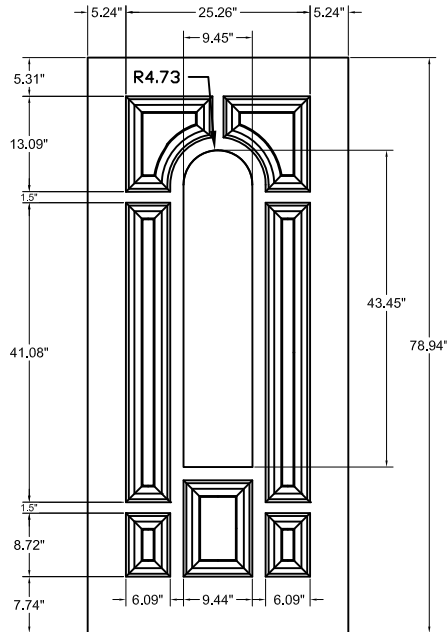
LTL D2
GLASS-14"X37"
CUTOUT-15.48"X38.48"



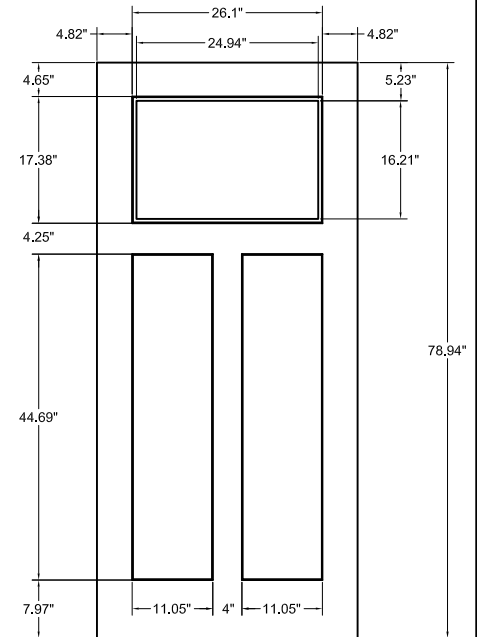
LTL D8
GLASS-22"X48"
CUTOUT-23.47"X49.47"



LTL D2
GLASS-14"X37"
CUTOUT-15.48"X38.48"



LTL D3
GLASS-8"X42"
CUTOUT-9.45"X43.45"



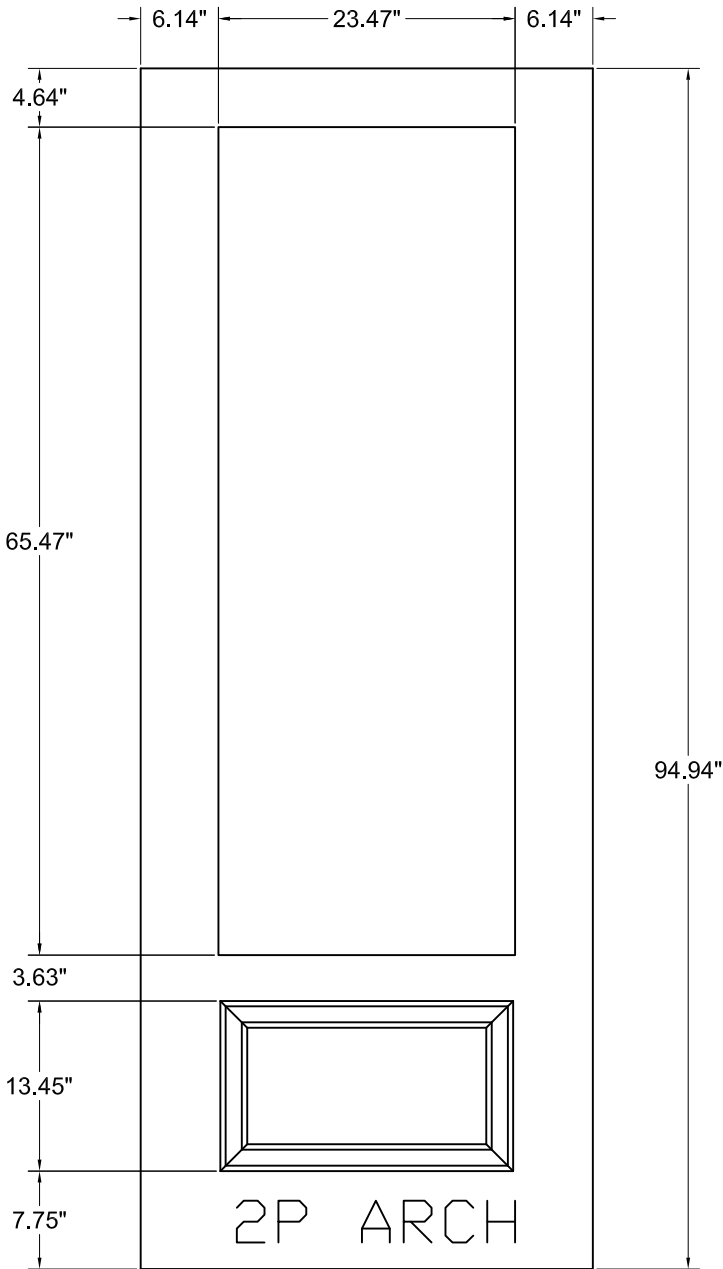
LTL D5
GLASS-23 3/4" X 15"
CUTOUT-24.94"X16.21"



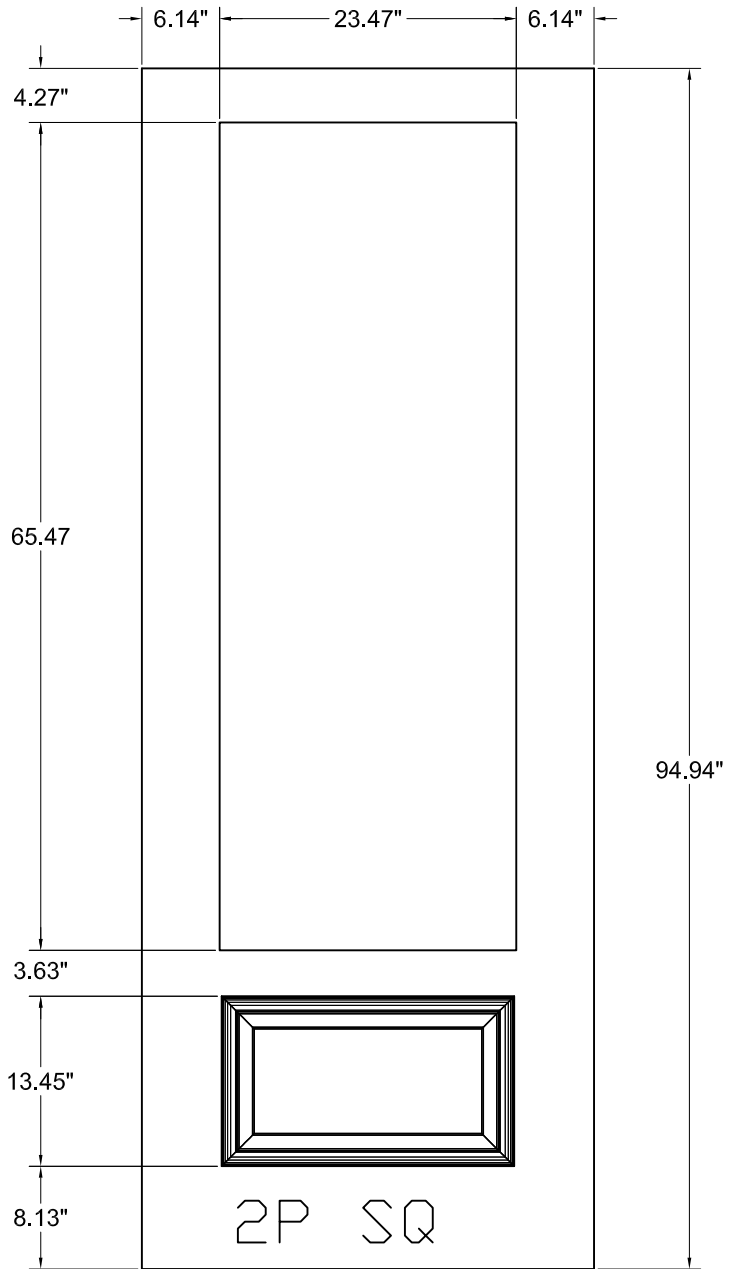
TIMBERGRAIN
LITE CUTOUT DETAIL

DWG#	XXII-17
DATE	1-23-17
NAME	KRB
SECTION	XXII
PAGE	17

NOTE: ALL DIMENSIONS FOR
3'0" X 8'0" DOOR



LTL D7
GLASS-22"X64"
CUTOUT-23.47"X65.47"



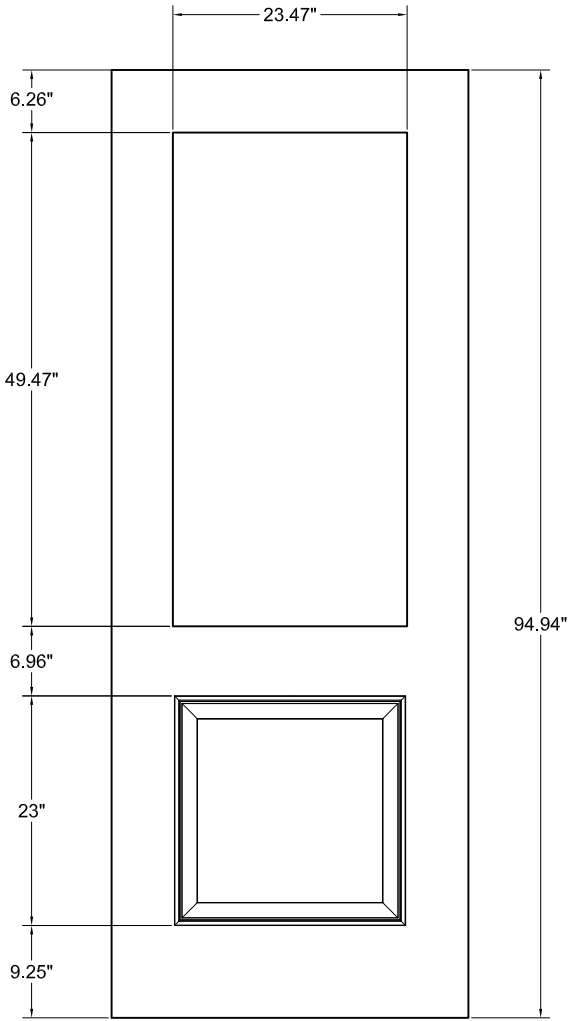
LTL D7
GLASS-22"X64"
CUTOUT-23.47"X65.47"



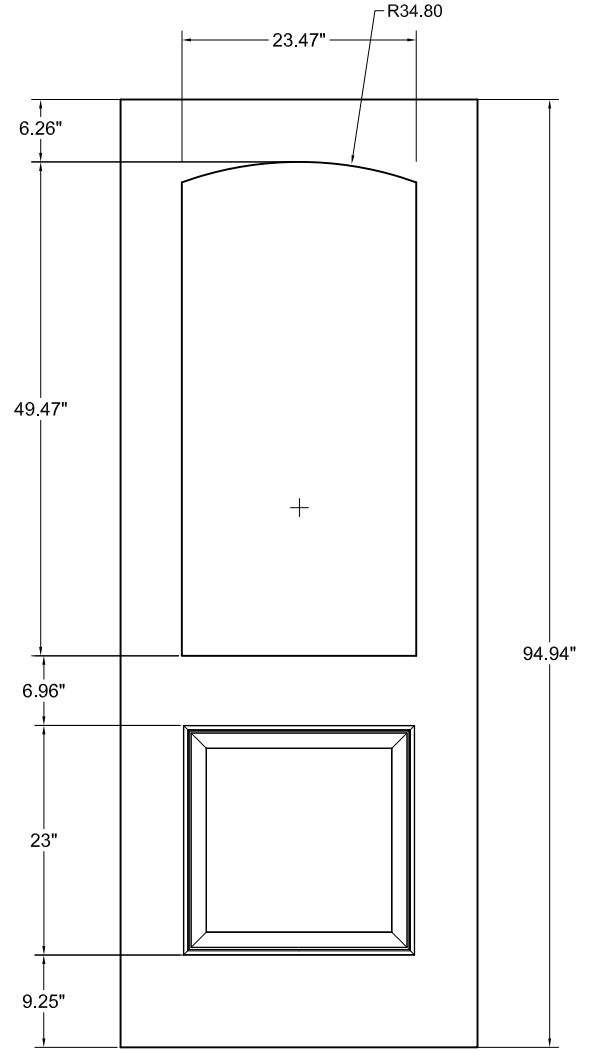
TIMBERGRAIN
LITE CUTOUT DIMENSIONAL DETAIL

DWG#	XXII-18
DATE	3-15-18
NAME	KRB
SECTION	XXII
PAGE	18

NOTE: ALL DIMENSIONS FOR
3'0" X 8'0" DOOR



LTL D6
GLASS-22"X48"
CUTOUT-23.47"X49.47"

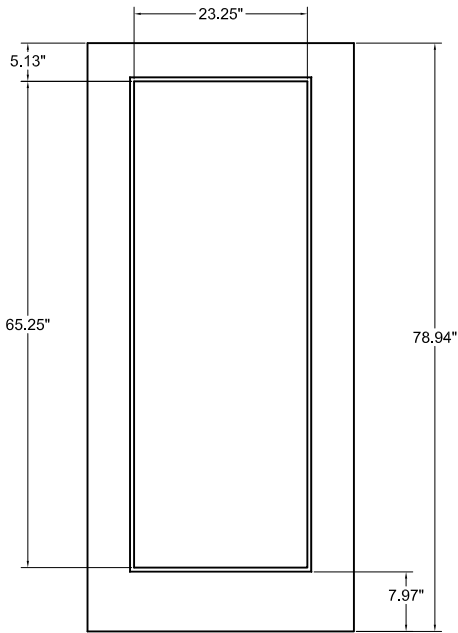


LTL D8
GLASS-22"X48"
CUTOUT-23.47"X49.47"

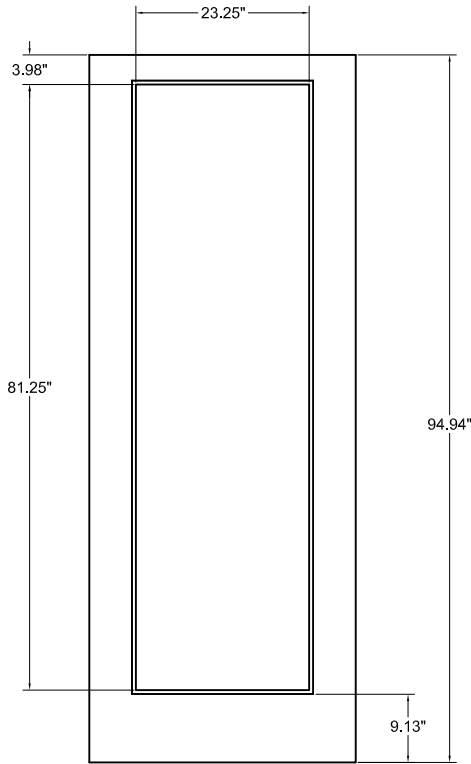


TIMBERGRAIN 8'0" KNOTTY ALDER
LITE CUTOUT DIMENSIONAL DETAIL

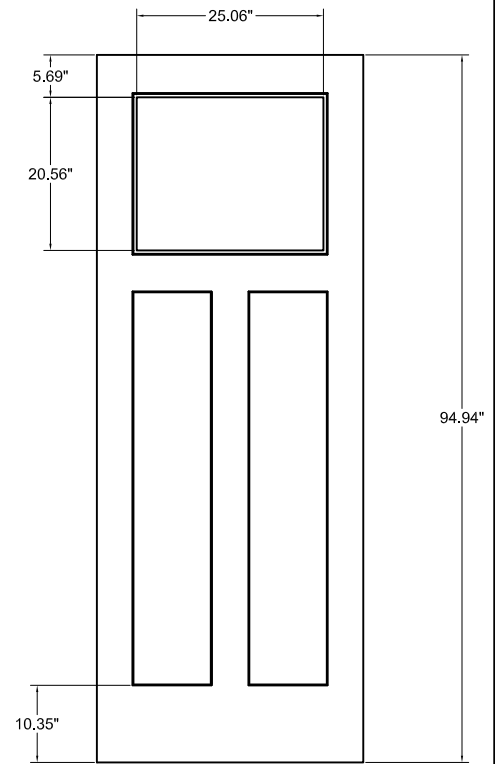
DWG#	XXII-18B
DATE	3-15-18
NAME	KRB
SECTION	XXII
PAGE	18B



LTL D9
GLASS-22"X64"
CUTOUT-23.25"X65.25"



LTL D10
GLASS-22"X80"
CUTOUT-23.25"X81.25"



LTL D11
GLASS-23.75"X19.25"
CUTOUT-25.06"X20.56"



AMERICA'S DOORMAKER

TIMBERGRAIN
 LITE CUTOUT DETAIL

DWG#	XXII-18c
DATE	3-3-20
NAME	KRB
SECTION	XXII
PAGE	17